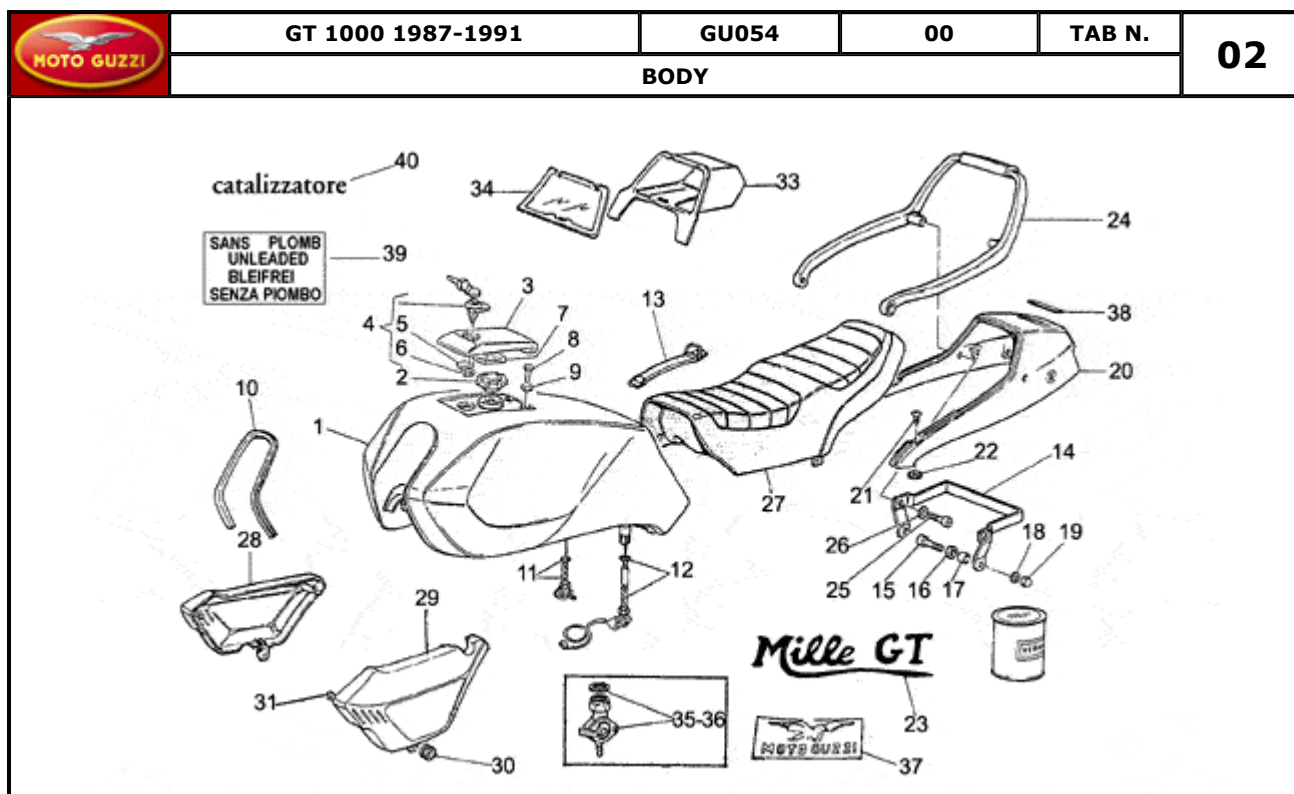



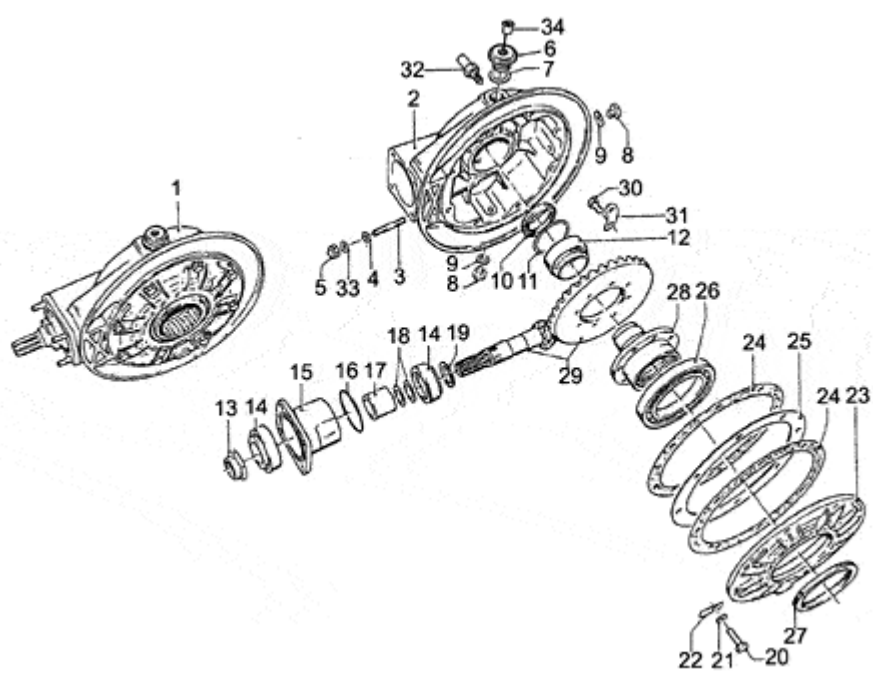
| Pos. | Description | Year | I_M | Country | Version | Code | Q.ty | P.Cod. |
|------|---------------------------|------|-----|---------|-----------|------------|------|--------|
| 1 | Generator SAPRISA | - | - | - | - | GU28712400 | 1 | |
| | Bosch alternator | - | - | - | - | GU17712400 | 1 | |
| 2 | Hex socket screw M5X45 | - | - | - | B | GU98620245 | 3 | |
| 3 | Notched washer | - | - | - | - | GU95021105 | 9 | |
| 4 | Repairing kit | - | - | - | B | GU17719900 | 1 | |
| 6 | HT cable | - | - | - | - | GU17718350 | 2 | |
| 7 | Cap | - | - | - | - | GU14717600 | 2 | |
| 8 | Sparkplug cap | - | - | - | - | GU14717400 | 2 | |
| 9 | Spark plug NGK BP6ES | - | - | - | - | GU30717010 | 2 | |
| 10 | Coil | - | - | - | 02899N-AE | GU14716503 | 2 | |
| | Coil | - | - | - | 02899N-AR | GU14716502 | 2 | |
| 12 | Screw | - | - | - | - | GU98202516 | 2 | |
| 13 | Washer 5,25x14x1,5 | - | - | - | - | GU95100059 | 2 | |
| 14 | Captive nut | - | - | - | - | GU92660501 | 9 | |
| 15 | Screw | - | - | - | S | GU28712459 | 1 | |
| 16 | Ground-battery lead | - | - | - | - | GU28747960 | 4 | |
| 17 | Voltage regulator BOSCH | - | - | - | B | GU29703800 | 1 | |
| 18 | Screw | - | - | - | - | GU98052240 | 3 | |
| 19 | Wire | - | - | - | B | GU28748633 | 1 | |
| 20 | Washer 6,2X18X1 | - | - | - | - | GU95100118 | 3 | |
| 21 | Screw | - | - | - | S | GU98620250 | 3 | |
| 22 | Main switch | - | - | - | - | GU31735360 | 1 | |
| 23 | Screw | - | - | - | B | GU14712459 | 1 | |
| 25 | Cap | - | - | - | - | GU19707100 | 1 | |
| 26 | Protection | - | - | - | - | GU19733350 | 1 | |
| 27 | Voltage regulator SAPRISA | - | - | - | S | GU28703800 | 1 | |
| 28 | Bosch rectifier | - | - | - | B | GU17704300 | 1 | |
| 29 | Cover | - | - | - | - | GU14704205 | 2 | |
| 30 | Connector SAPRISA | - | - | - | S | GU28712500 | 1 | |
| 31 | Screw | - | - | - | - | GU98202516 | 2 | |
| 32 | Washer | - | - | - | - | GU95000205 | 8 | |
| 33 | Nut | - | - | - | - | GU92630105 | 2 | |

| | | | | | | | | |
|----|-----------------------------|---|---|---|---|---|------------|---|
| 34 | Alternator-regulator wiring | - | - | - | - | - | GU29748550 | 1 |
| 35 | Spacer | - | - | - | - | - | GU91180623 | 2 |
| 36 | Battery holder | - | - | - | - | - | GU28707050 | 1 |
| 37 | Fixing snap | - | - | - | - | - | GU28704850 | 1 |
| 38 | Fixing snap | - | - | - | - | - | GU14705500 | 1 |
| 40 | Wire | - | - | - | - | - | GU14748450 | 1 |
| 41 | Cap | - | - | - | - | - | GU23707100 | 1 |
| 42 | Shock abs. adj. Wrench | - | - | - | - | - | GU28912740 | 1 |
| 44 | Starter motor | - | - | - | B | - | GU14730706 | 1 |
| | Starter motor Valeo | - | - | - | V | - | GU30730711 | 1 |
| 45 | Switch assy | - | - | - | - | - | GU14730558 | 1 |
| 46 | Starter motor revision kit | - | - | - | - | - | GU14730570 | 1 |
| 47 | Screw | - | - | - | - | - | GU98052480 | 2 |
| 49 | Washer | - | - | - | - | - | GU95004208 | 3 |
| 50 | Nut M8X1,25 | - | - | - | - | - | GU92602208 | 1 |
| 51 | Contact breaker | - | - | - | - | - | GU17715450 | 1 |
| 52 | Gasket | - | - | - | - | - | GU14716400 | 1 |
| 53 | Gear | - | - | - | - | - | GU14716200 | 1 |
| 54 | Pin | - | - | - | - | - | GU95510318 | 1 |
| 55 | Plate | - | - | - | - | - | GU14715700 | 1 |
| 56 | Hex screw M8x30 | - | - | - | - | - | GU98052430 | 2 |
| 57 | Washer 8,4X13X0,8 | - | - | - | - | - | GU14615901 | 2 |
| 58 | Spacer | - | - | - | - | - | GU91180907 | 2 |
| 59 | Cover | - | - | - | - | - | GU14715420 | 1 |
| 60 | Contact breaker rev.kit | - | - | - | - | - | GU14719800 | 1 |
| 61 | Toolkit | - | - | - | - | - | GU28929940 | 1 |
| 63 | Cap | - | - | - | - | - | GU19741335 | 1 |
| 64 | Battery fixing snap | - | - | - | - | - | GU28704900 | 1 |
| 65 | Battery-alternator cable | - | - | - | - | - | GU29726450 | 1 |

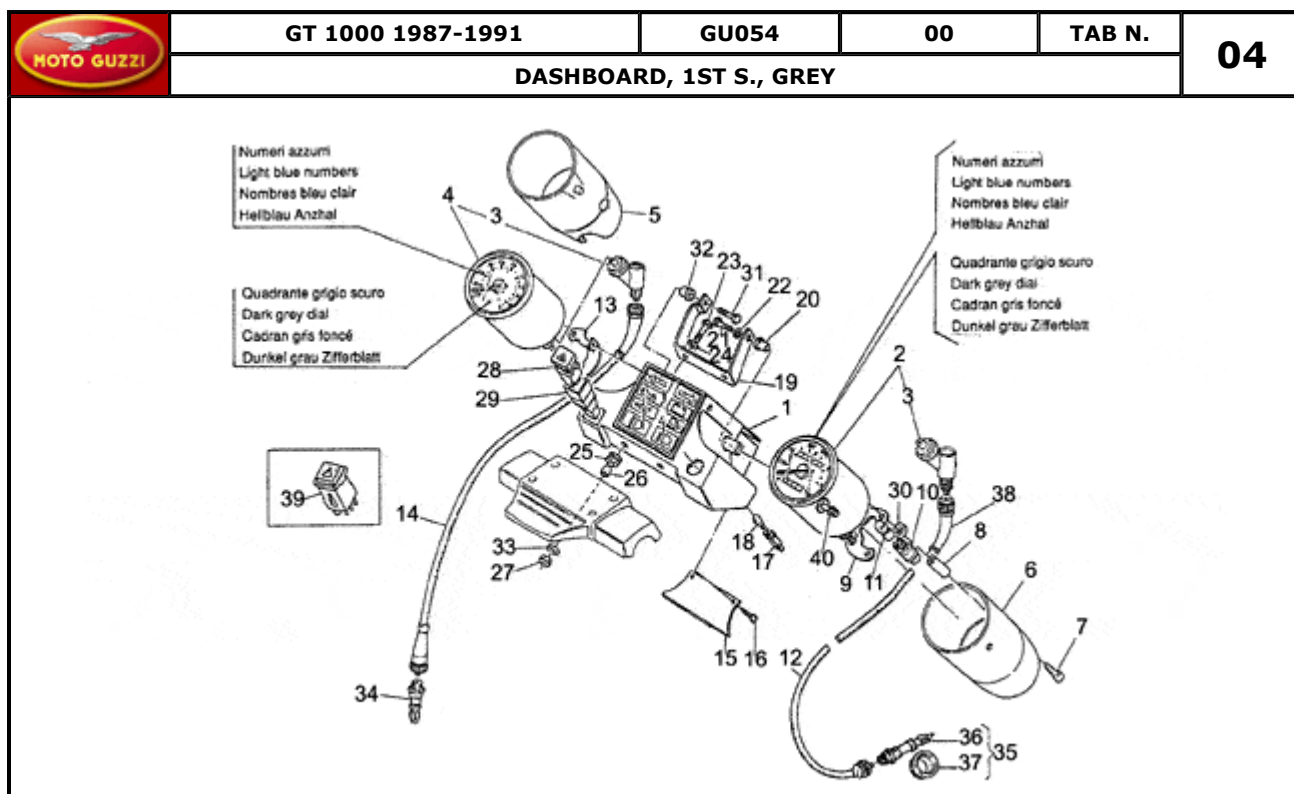


| Pos. | Description | Year | I_M | Country | Version | Code | Q.ty | P.Cod. |
|------|--------------------------|------|-----|---------|---------|------|-------------|--------|
| 1 | Fuel tank | - | - | - | - | v | GU28100229 | 1 |
| | Fuel tank | - | - | - | - | n | GU28100233 | 1 |
| | Fuel tank | - | - | - | - | r | GU28100234 | 1 |
| | Fuel tank | - | - | - | - | gr | GU281002001 | 1 |
| 2 | Plug | - | - | - | - | - | GU14103955 | 1 |
| 3 | Tank cover, blank | - | - | - | - | gr | GU141040551 | 1 |
| | Tank cover | - | - | - | - | r | GU28104034 | 1 |
| | Tank cover | - | - | - | - | n | GU29104001 | 1 |
| | Cover | - | - | - | - | v | GU30104011 | 1 |
| 4 | Locks | - | - | - | - | - | GU14736856 | 1 |
| 5 | Tab | - | - | - | - | - | GU18105001 | 1 |
| 6 | Hose clamp | - | - | - | - | - | GU19104950 | 1 |
| 7 | Rubber spacer | - | - | - | - | - | GU19104336 | 1 |
| 8 | Screw | - | - | - | - | - | GU98054210 | 2 |
| 9 | Spring washer 5,3X10X0,5 | - | - | - | - | - | GU95129100 | 2 |
| 10 | Gasket | - | - | - | - | - | GU28106460 | 1 |
| 11 | RH fuel cock | - | - | - | 1A | - | GU23105470 | 1 |
| 12 | LH fuel cock | - | - | - | 1A | - | GU23105370 | 1 |
| 13 | Fixing snap | - | - | - | - | - | GU14102600 | 1 |
| 14 | Support | - | - | - | - | - | GU28468433 | 1 |
| 15 | Screw | - | - | - | - | - | GU98822425 | 2 |
| 16 | Washer | - | - | - | - | - | GU95004208 | 2 |
| 17 | Spacer 8,5x12x4 | - | - | - | - | - | GU91180804 | 2 |
| 18 | Spring washer | - | - | - | - | - | GU95021108 | 2 |
| 19 | Nut | - | - | - | - | - | GU92781081 | 2 |
| 20 | Rear fairing | - | - | - | - | r | GU28472634 | 1 |
| | Rear fairing | - | - | - | - | n | GU28472633 | 1 |
| | Rear fairing | - | - | - | - | v | GU28472629 | 1 |
| 21 | Screw | - | - | - | - | - | GU98326014 | 2 |
| 22 | Rubber spacer | - | - | - | - | - | GU93110060 | 2 |
| 23 | Decal | - | - | - | - | - | GU28922033 | 1 |
| 24 | Pillion grab bar | - | - | - | - | - | GU28464301 | 1 |
| 25 | Screw | - | - | - | - | - | GU98622420 | 2 |

| | | | | | | | | |
|----|--------------------|---|---|---|----|---|------------|---|
| 26 | Washer | - | - | - | - | - | GU95004208 | 2 |
| 27 | Saddle | - | - | - | - | - | GU28460534 | 1 |
| 28 | RH side panel | - | - | - | - | r | GU28476234 | 1 |
| | RH side panel | - | - | - | - | v | GU28476229 | 1 |
| | RH side panel | - | - | - | - | n | GU28476233 | 1 |
| 29 | LH side panel | - | - | - | - | r | GU28476334 | 1 |
| | LH side panel | - | - | - | - | v | GU28476329 | 1 |
| | LH side panel | - | - | - | - | n | GU28476333 | 1 |
| 30 | Rubber spacer | - | - | - | - | - | GU91551082 | 4 |
| 31 | Pin | - | - | - | - | - | GU27471920 | 4 |
| 33 | Tool kit box | - | - | - | - | - | GU28479600 | 1 |
| 34 | Tool kit box cover | - | - | - | - | - | GU28479700 | 1 |
| 35 | RH fuel cock | - | - | - | 2A | - | GU28105460 | 1 |
| 36 | LH fuel cock | - | - | - | 2A | - | GU28105461 | 1 |
| 37 | Fuel tank decal | - | - | - | - | - | GU19917835 | 1 |
| 38 | "MotoGuzzi" dec. | - | - | - | - | - | GU28923400 | 1 |
| 39 | Sticker | - | - | D | - | - | GU29995735 | 1 |
| 40 | Decal "Catalytic" | - | - | D | - | - | GU30922035 | 2 |

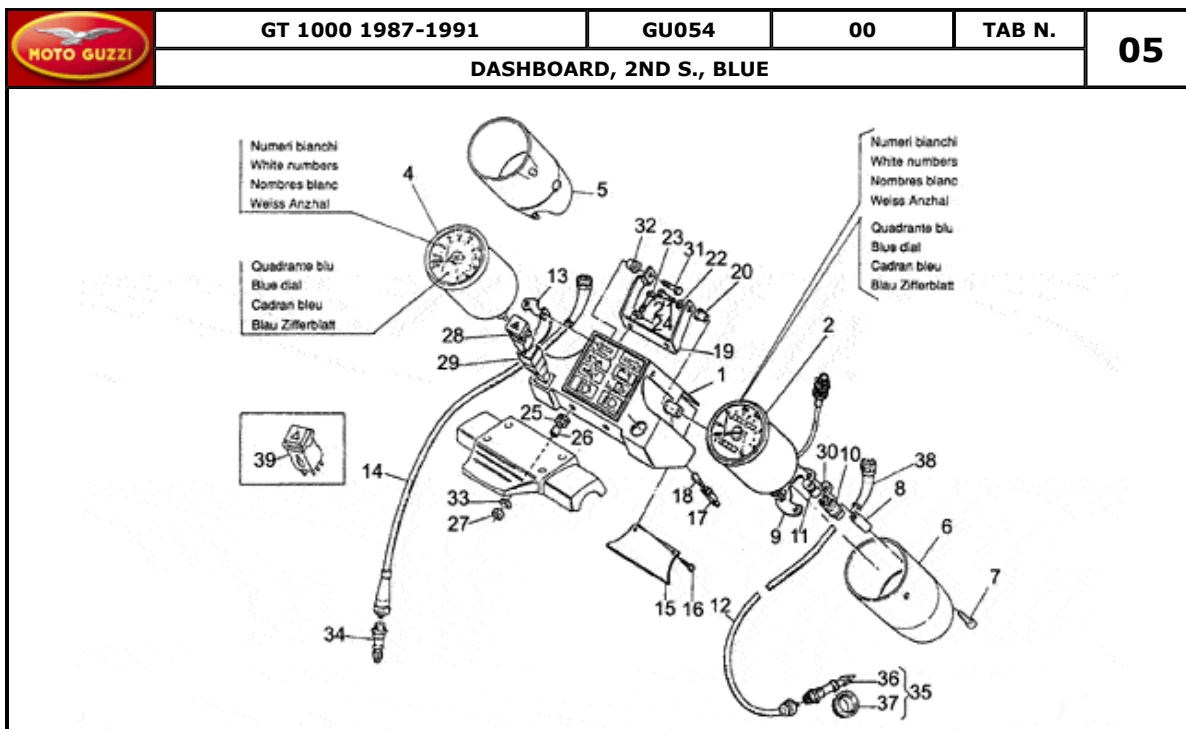
|  | | GT 1000 1987-1991 | GU054 | 00 | TAB N. | 03 | | |
|------------------------------------------------------------------------------------|-------------------------|-------------------|-------|---------|---------|------------|------|--------|
| BEVEL GEAR | | | | | | | | |
|  | | | | | | | | |
| Pos. | Description | Year | I_M_ | Country | Version | Code | Q.ty | P.Cod. |
| 1 | Transmission complete | - | - | - | - | GU17350250 | 1 | |
| 2 | Transmission box, blank | - | - | - | - | GU28350345 | 1 | |
| 3 | Stud bolt 8x46 | - | - | - | - | GU96508045 | 4 | |
| 4 | Washer 8,4X13X0,8 | - | - | - | - | GU14615901 | 4 | |
| 5 | Nut | - | - | - | - | GU92781081 | 4 | |
| 6 | Oil plug | - | - | - | - | GU19351200 | 1 | |
| 7 | O-ring 20,24X2,62 | - | - | - | - | GU90706203 | 1 | |
| 8 | Oil level plug | - | - | - | - | GU95980214 | 2 | |
| 9 | Gasket | - | - | - | - | GU10528900 | 2 | |
| 10 | Gasket ring | - | - | - | - | GU90403850 | 1 | |
| 11 | Gasket ring | - | - | - | - | GU12351100 | 1 | |
| 12 | Roller bearing 40x55x17 | - | - | - | - | GU92254340 | 1 | |
| 13 | Nut | - | - | - | - | GU29356750 | 1 | |
| 14 | Tap.roller bearing 25x5 | - | - | - | - | GU92249227 | 2 | |
| 15 | Flange | - | - | - | - | GU18352400 | 1 | |
| 16 | Gasket 58,42x2,62 | - | - | - | - | GU90706584 | 2 | |
| 17 | Spacer | - | - | - | - | GU18355100 | 1 | |
| 18 | Shim 0,1 mm | - | - | - | - | GU12355202 | 1 | |
| | Shim 0,15 mm | - | - | - | - | GU12355203 | 1 | |
| 19 | Spacer 1,5 mm | - | - | - | - | GU19355325 | 1 | |
| | Spacer 1 mm | - | - | - | - | GU19355320 | 1 | |
| | Spacer 1,1 mm | - | - | - | - | GU19355321 | 1 | |
| | Spacer 1,2 mm | - | - | - | - | GU19355322 | 1 | |
| | Spacer 1,3 mm | - | - | - | - | GU19355323 | 1 | |
| | Spacer 1,6 mm | - | - | - | - | GU19355326 | 1 | |
| | Spacer 1,7 mm | - | - | - | - | GU19355327 | 1 | |
| | Spacer 1,8 mm | - | - | - | - | GU19355328 | 1 | |
| | Spacer 1,9 mm | - | - | - | - | GU19355329 | 1 | |
| | Spacer 1,4 mm | - | - | - | - | GU19355324 | 1 | |
| 20 | Screw M8X25 | - | - | - | - | GU98054425 | 8 | |
| 21 | Spring washer 8x15x0,3 | - | - | - | - | GU61270300 | 8 | |
| 22 | Plate | - | - | - | - | GU95187008 | 8 | |
| 23 | Flange | - | - | - | - | GU17350400 | 1 | |

| | | | | | | | | |
|----|------------------------|---|---|---|---|---|------------|---|
| 24 | Gasket | - | - | - | - | - | GU17350700 | 2 |
| 25 | Spacer 1 mm | - | - | - | - | - | GU17355404 | 1 |
| | Spacer 1,5 mm | - | - | - | - | - | GU17355412 | 1 |
| | Spacer 1,3 mm | - | - | - | - | - | GU17355410 | 1 |
| | Spacer 1,1 mm | - | - | - | - | - | GU17355406 | 1 |
| | Spacer 0,9 mm | - | - | - | - | - | GU17355402 | 1 |
| | Spacer 0,8 mm | - | - | - | - | - | GU17355400 | 1 |
| | Spacer 1,2 mm | - | - | - | - | - | GU17355408 | 1 |
| 26 | Ball bearing 70x110x13 | - | - | - | - | - | GU92201070 | 1 |
| 27 | Gasket ring | - | - | - | - | - | GU90407085 | 1 |
| 28 | Drive flange | - | - | - | - | - | GU17351400 | 1 |
| 29 | Bevel gear Z=7/33 | - | - | - | - | - | GU17354650 | 1 |
| 30 | Screw | - | - | - | - | - | GU12356300 | 8 |
| 31 | Safety plate | - | - | - | - | - | GU12356400 | 4 |
| 32 | Pin | - | - | - | - | - | GU28555200 | 1 |
| 33 | Washer | - | - | - | - | - | GU95007208 | 4 |
| 34 | Plug | - | - | - | - | - | GU93180245 | 1 |


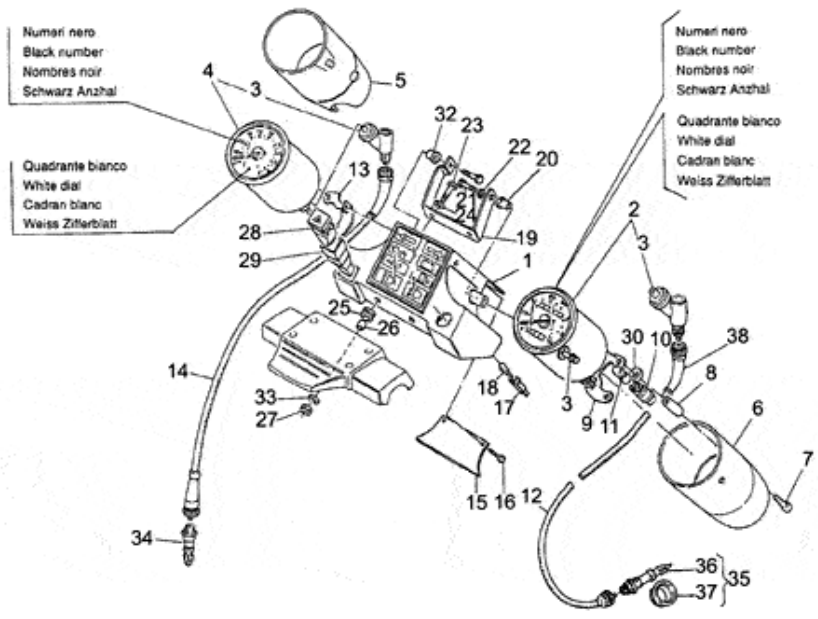


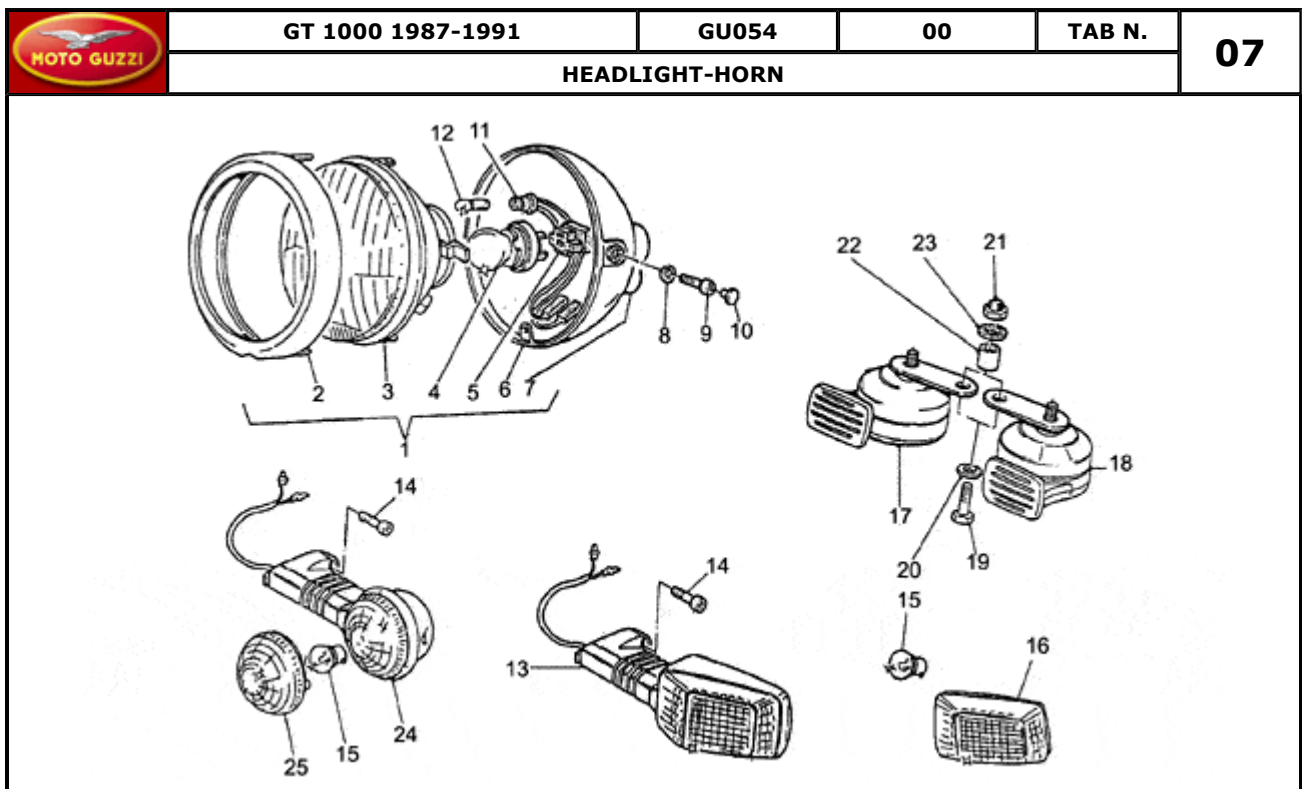
| Pos. | Description | Year | I_M | Country | Version | Code | Q.ty | P.Cod. |
|------|--------------------------|------|-----|---------|---------|------------|------|--------|
| 1 | Dashboard box assy. | - | - | - | - | GU23760010 | 1 | |
| 2 | Speedometer | - | - | - | - | GU23761570 | 1 | |
| 3 | Gear 60° | - | - | - | - | GU23768310 | 2 | |
| 4 | Tachometer | - | - | - | - | GU23767270 | 1 | |
| 5 | Rev counter container | - | - | - | - | GU23761910 | 1 | |
| 6 | Speedometer container | - | - | - | - | GU23762010 | 1 | |
| 7 | Screw | - | - | - | - | GU98622214 | 2 | |
| 8 | Spacer | - | - | - | - | GU23765110 | 2 | |
| 9 | Plate | - | - | - | - | GU23764910 | 1 | |
| 10 | Lampholder | - | - | - | - | GU14768650 | 2 | |
| 11 | Lamp 12V 3W | - | - | - | - | GU17762150 | 2 | |
| 12 | Speedometer transmission | - | - | - | - | GU12760400 | 1 | |
| 13 | Plate | - | - | - | - | GU23766510 | 1 | |
| 14 | Rev counter transmission | - | - | - | - | GU19768100 | 1 | |
| 15 | Lower cover | - | - | - | - | GU29765250 | 1 | |
| 16 | Self-tap screw | - | - | - | - | GU99210210 | 2 | |
| 17 | Lampholder | - | - | - | - | GU19768680 | 8 | |
| 18 | Lamp 12V-1,2W | - | - | - | - | GU93450140 | 8 | |
| 19 | U-bolt | - | - | - | - | GU23764110 | 1 | |
| 20 | Spacer | - | - | - | - | GU23766911 | 1 | |
| 21 | Screw | - | - | - | - | GU98054225 | 1 | |
| 22 | Washer | - | - | - | - | GU95004205 | 2 | |
| 23 | Hex screw M6X22 | - | - | - | - | GU98054322 | 2 | |
| 24 | Washer 6,15x11x0,8 | - | - | - | - | GU95004206 | 2 | |
| 25 | Rubber spacer | - | - | - | - | GU91551085 | 2 | |
| 26 | Spacer | - | - | - | - | GU91180607 | 2 | |
| 27 | Nut M6x1 | - | - | - | - | GU92630106 | 2 | |
| 28 | Turn indicator switch | - | - | - | 1A | GU28745760 | 1 | |
| 29 | Rubber protection | - | - | - | - | GU35755780 | 1 | |
| 30 | Rubber spacer | - | - | - | - | GU93110060 | 4 | |
| 31 | Screw | - | - | - | - | GU98054230 | 1 | |
| 32 | Spacer | - | - | - | - | GU23766910 | 1 | |
| 33 | Special washer | - | - | - | - | GU61013800 | 2 | |

| | | | | | | | | |
|----|-----------------------|---|---|---|----|---|------------|---|
| 34 | Gear Z=14 | - | - | - | - | - | GU14769200 | 1 |
| 35 | Gear Z5/11 | - | - | - | - | - | GU14762510 | 1 |
| 36 | Pinion Z5 | - | - | - | - | - | GU12763300 | 1 |
| 37 | Chain ring Z11 | - | - | - | - | - | GU14766110 | 1 |
| 38 | Sheath | - | - | - | - | - | GU17762200 | 2 |
| 39 | Turn indicator switch | - | - | - | 2A | - | GU28745761 | 1 |
| 40 | Reset button | - | - | - | - | - | GU19762810 | 1 |


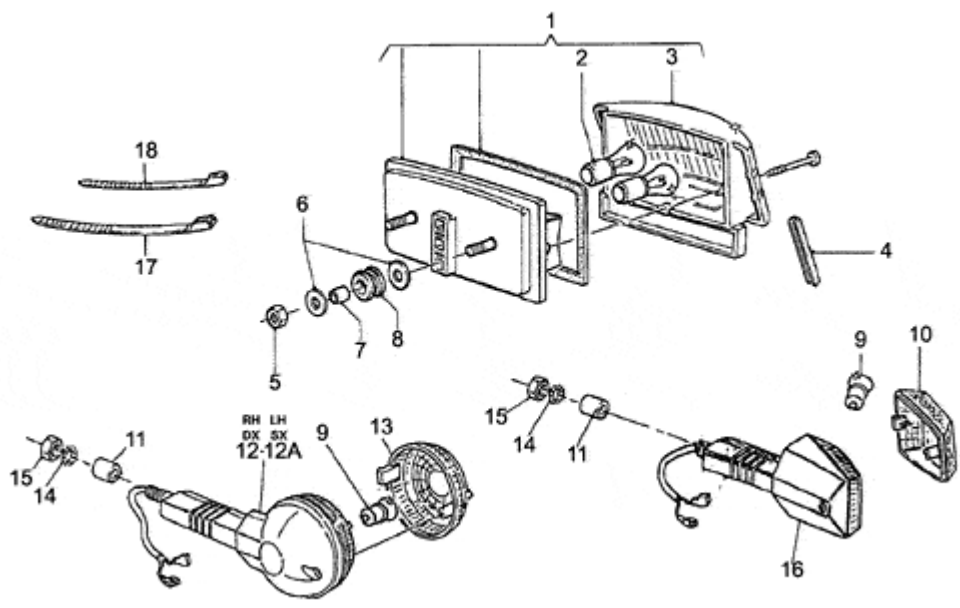


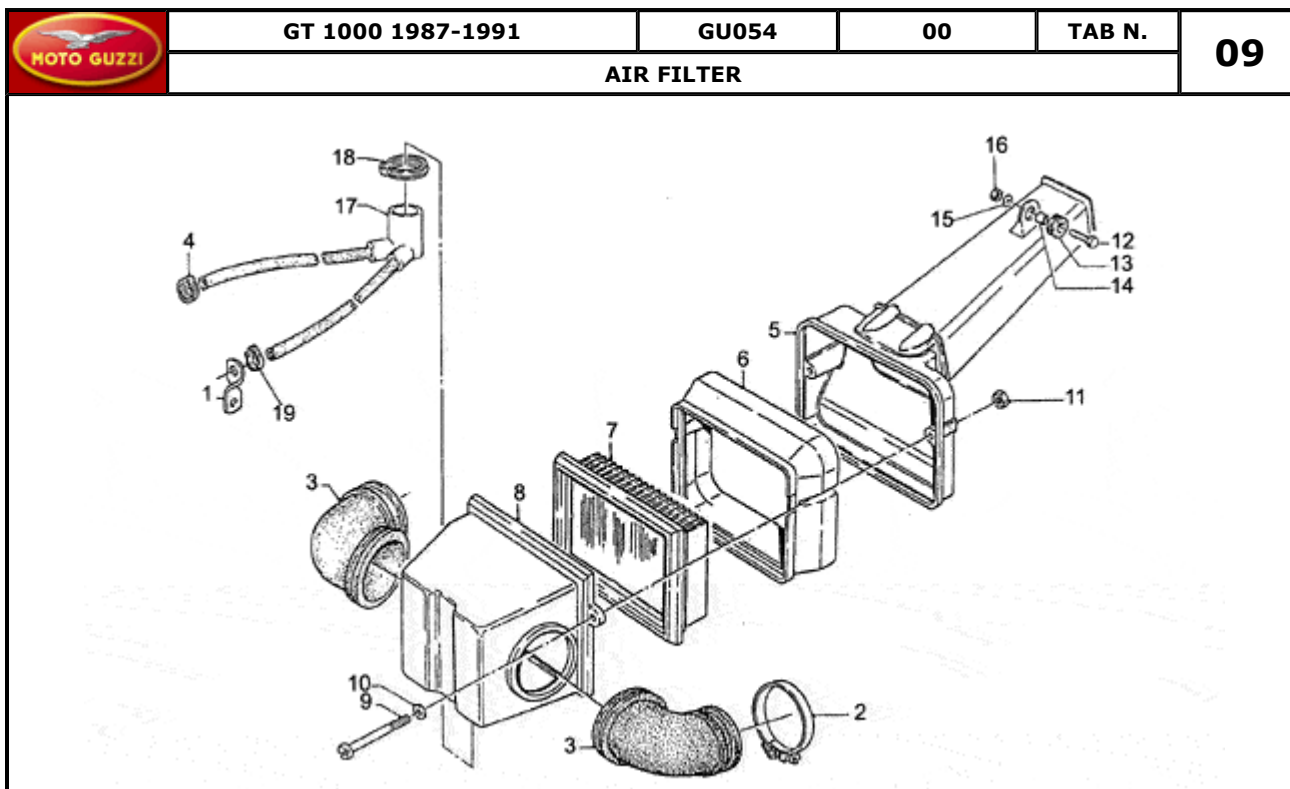
| Pos. | Description | Year | I_M | Country | Version | Code | Q.ty | P.Cod. |
|------|--------------------------|------|-----|---------|---------|------------|------|--------|
| 1 | Dashboard box assy. | - | - | - | - | GU23760010 | 1 | |
| 2 | Speedometer | - | - | - | - | GU17761560 | 1 | |
| 4 | Tachometer | - | - | - | - | GU17767260 | 1 | |
| 5 | Rev counter container | - | - | - | - | GU28761933 | 1 | |
| 6 | Speedometer container | - | - | - | - | GU28762033 | 1 | |
| 7 | Screw | - | - | - | - | GU98622214 | 2 | |
| 8 | Spacer | - | - | - | - | GU23765110 | 2 | |
| 9 | Speedometer fixing plate | - | - | - | - | GU28764933 | 1 | |
| 10 | Lampholder | - | - | - | - | GU14768650 | 2 | |
| 11 | Lamp 12V 3W | - | - | - | - | GU17762150 | 2 | |
| 12 | Speedometer transmission | - | - | - | - | GU28760410 | 1 | |
| 13 | Plate | - | - | - | - | GU23766510 | 1 | |
| 14 | Rev counter transmission | - | - | - | - | GU28768150 | 1 | |
| 15 | Lower cover | - | - | - | - | GU29765250 | 1 | |
| 16 | Self-tap screw | - | - | - | - | GU99210210 | 2 | |
| 17 | Lampholder | - | - | - | - | GU19768680 | 8 | |
| 18 | Lamp 12V-1,2W | - | - | - | - | GU93450140 | 8 | |
| 19 | U-bolt | - | - | - | - | GU23764110 | 1 | |
| 20 | Spacer | - | - | - | - | GU23766911 | 1 | |
| 21 | Screw | - | - | - | - | GU98054225 | 1 | |
| 22 | Washer | - | - | - | - | GU95004205 | 2 | |
| 23 | Hex screw M6X22 | - | - | - | - | GU98054322 | 2 | |
| 24 | Washer 6,15x11x0,8 | - | - | - | - | GU95004206 | 2 | |
| 25 | Rubber spacer | - | - | - | - | GU91551085 | 2 | |
| 26 | Spacer | - | - | - | - | GU91180607 | 2 | |
| 27 | Nut M6x1 | - | - | - | - | GU92630106 | 2 | |
| 28 | Turn indicator switch | - | - | - | 1A | GU28745760 | 1 | |
| 29 | Rubber protection | - | - | - | - | GU35755780 | 1 | |
| 30 | Rubber spacer | - | - | - | - | GU93110060 | 4 | |
| 31 | Screw | - | - | - | - | GU98054220 | 1 | |
| 32 | Spacer | - | - | - | - | GU28766933 | 1 | |
| 33 | Special washer | - | - | - | - | GU61013800 | 2 | |
| 34 | Gear Z=14 | - | - | - | - | GU14769200 | 1 | |
| 35 | Gear Z5/11 | - | - | - | - | GU14762510 | 1 | |
| 36 | Pinion Z5 | - | - | - | - | GU12763300 | 1 | |
| 37 | Chain ring Z11 | - | - | - | - | GU14766110 | 1 | |
| 38 | Sheath | - | - | - | - | GU17762200 | 2 | |
| 39 | Turn indicator switch | - | - | - | 2A | GU28745761 | 1 | |

|  | | GT 1000 1987-1991 | GU054 | 00 | TAB N. | 06 | | |
|------------------------------------------------------------------------------------|--------------------------|-------------------|-------|---------|---------|------------|------|--------|
| DASHBOARD,23RD S., WHITE | | | | | | | | |
|  | | | | | | | | |
| Pos. | Description | Year | I_M_ | Country | Version | Code | Q.ty | P.Cod. |
| 1 | Dashboard box assy. | - | - | - | - | GU23760010 | 1 | |
| 2 | Speedometer Mhp | - | - | - | - | GU14761570 | 1 | |
| 3 | Reset button | - | - | - | - | GU19762810 | 1 | |
| 4 | Tachometer | - | - | - | - | GU14767270 | 1 | |
| 5 | Rev counter container | - | - | - | - | GU28761933 | 1 | |
| 6 | Speedometer container | - | - | - | - | GU28762033 | 1 | |
| 7 | Screw | - | - | - | - | GU98622214 | 2 | |
| 8 | Spacer | - | - | - | - | GU23765110 | 2 | |
| 9 | Plate | - | - | - | - | GU23764910 | 1 | |
| 10 | Lampholder | - | - | - | - | GU14768650 | 2 | |
| 11 | Lamp 12V 3W | - | - | - | - | GU17762150 | 2 | |
| 12 | Speedometer transmission | - | - | - | - | GU28760410 | 1 | |
| 13 | Plate | - | - | - | - | GU23766510 | 1 | |
| 14 | Rev counter transmission | - | - | - | - | GU28768150 | 1 | |
| 15 | Lower cover | - | - | - | - | GU29765250 | 1 | |
| 16 | Self-tap screw | - | - | - | - | GU99210210 | 2 | |
| 17 | Lampholder | - | - | - | - | GU19768680 | 8 | |
| 18 | Lamp 12V-1,2W | - | - | - | - | GU93450140 | 8 | |
| 19 | U-bolt | - | - | - | - | GU23764110 | 1 | |
| 20 | Spacer | - | - | - | - | GU23766910 | 1 | |
| 21 | Screw | - | - | - | - | GU98054230 | 2 | |
| 22 | Washer | - | - | - | - | GU95004205 | 2 | |
| 23 | Hex screw M6X22 | - | - | - | - | GU98054322 | 2 | |
| 24 | Washer 6,15x11x0,8 | - | - | - | - | GU95004206 | 2 | |
| 25 | Rubber spacer | - | - | - | - | GU91551085 | 2 | |
| 26 | Spacer | - | - | - | - | GU91180607 | 2 | |
| 27 | Nut M6x1 | - | - | - | - | GU92630106 | 2 | |
| 28 | Turn indicator switch | - | - | - | 1A | GU28745761 | 1 | |
| 29 | Rubber protection | - | - | - | - | GU35755780 | 1 | |
| 30 | Rubber spacer | - | - | - | - | GU93110060 | 4 | |
| 32 | Spacer | - | - | - | - | GU23766911 | 1 | |
| 33 | Special washer | - | - | - | - | GU61013800 | 2 | |
| 34 | Gear Z=14 | - | - | - | - | GU14769200 | 1 | |
| 35 | Gear Z5/11 | - | - | - | - | GU14762510 | 1 | |
| 36 | Pinion Z5 | - | - | - | - | GU12763300 | 1 | |
| 37 | Chain ring Z11 | - | - | - | - | GU14766110 | 1 | |
| 38 | Sheath | - | - | - | - | GU17762200 | 2 | |

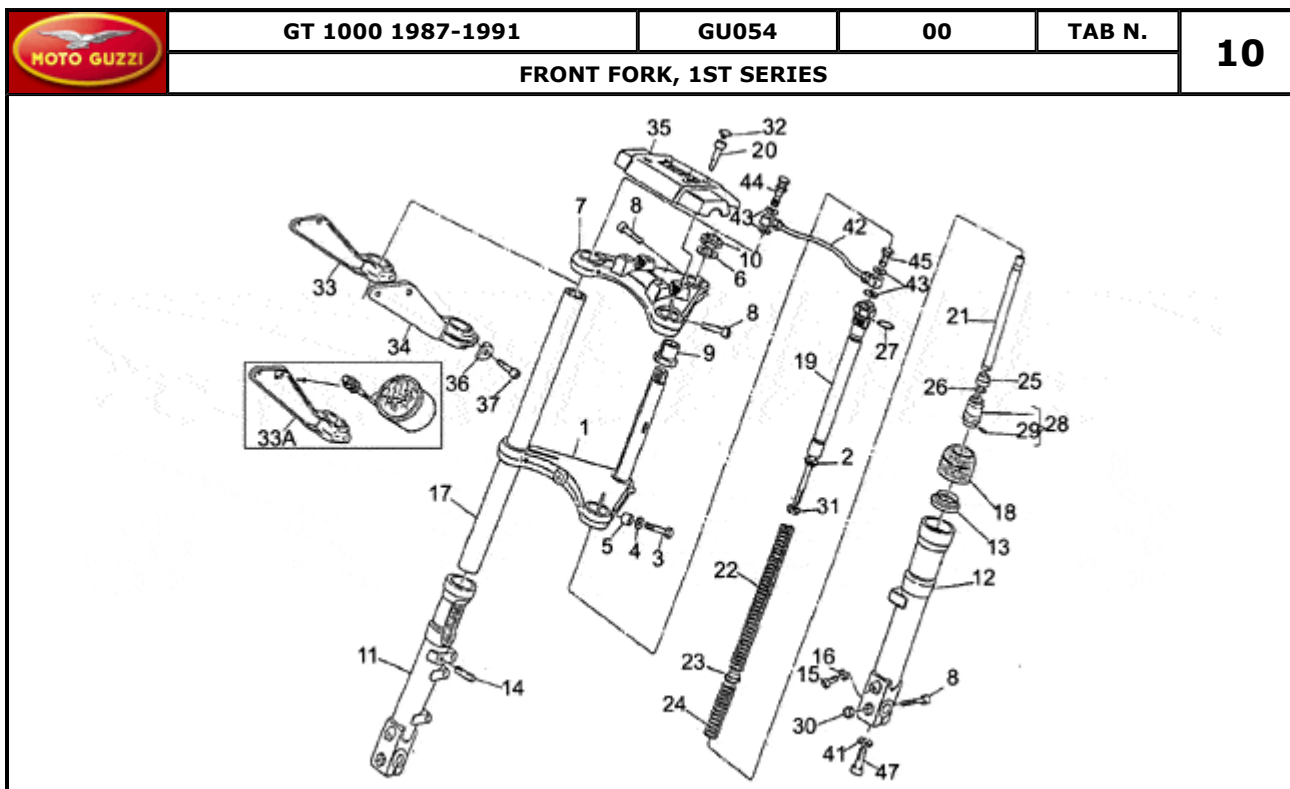


| Pos. | Description | Year | I_M | Country | Version | Code | Q.ty | P.Cod. |
|------|---------------------|------|-----|---------|---------|------------|------|--------|
| 1 | Headlight | - | - | - | - | GU28740533 | 1 | |
| 2 | Light frame | - | - | - | - | GU19740454 | 1 | |
| 3 | Optical group | - | - | - | - | GU18740435 | 1 | |
| 4 | Lamp 12V-55/60W | - | - | - | - | GU93450232 | 1 | |
| 5 | Lampholder | - | - | - | - | GU14756255 | 1 | |
| 6 | Headlight body | - | - | - | - | GU23740418 | 1 | |
| 7 | Rear cap plug | - | - | - | - | GU19740404 | 1 | |
| 8 | Washer 10,2x18x2 | - | - | - | - | GU95004210 | 2 | |
| 9 | Screw | - | - | - | - | GU98622535 | 2 | |
| 10 | Plug | - | - | - | - | GU23943510 | 2 | |
| 11 | Lampholder | - | - | - | - | GU17740405 | 1 | |
| 12 | Lamp 12V-4W | - | - | - | - | GU93450119 | 1 | |
| 13 | Turn indicator | - | - | - | 1A | GU23750670 | 2 | |
| 14 | Screw | - | - | - | - | GU98612320 | 2 | |
| 15 | Lamp 12V-10W | - | - | - | - | GU93450127 | 2 | |
| 16 | Turn indicator lens | - | - | - | 1A | GU23753710 | 2 | |
| 17 | Bass horn | - | - | - | - | GU28743701 | 1 | |
| 18 | Treble horn | - | - | - | - | GU28743700 | 1 | |
| 19 | Hex screw M6X16 | - | - | - | - | GU98054316 | 2 | |
| 20 | Washer | - | - | - | - | GU95000206 | 2 | |
| 21 | Nut | - | - | - | - | GU92781062 | 2 | |
| 22 | Washer | - | - | - | - | GU95100125 | 2 | |
| 23 | Special washer | - | - | - | - | GU61013800 | 2 | |
| 24 | Turn indicator | - | - | - | 2A | GU29751660 | 2 | |
| 25 | Turn indicator lens | - | - | - | 2A | GU29753760 | 2 | |

|  | | GT 1000 1987-1991 | GU054 | 00 | TAB N. | 08 | | |
|------------------------------------------------------------------------------------|---------------------|-------------------|-------|---------|---------|------------|------|--------|
| TAILLIGHT | | | | | | | | |
|  | | | | | | | | |
| Pos. | Description | Year | I_M_ | Country | Version | Code | Q.ty | P.Cod. |
| 1 | Taillight | - | - | - | - | GU27740985 | 1 | |
| 2 | Lamp 12V/5-21W | - | - | - | - | GU93450224 | 2 | |
| 3 | Taillight lens | - | - | - | - | GU27741785 | 1 | |
| 4 | Gasket | - | - | - | - | GU28439800 | 2 | |
| 5 | Nut M6x1 | - | - | - | - | GU92630206 | 2 | |
| 6 | Washer 6,2X18X1 | - | - | - | - | GU95100118 | 2 | |
| 7 | Spacer | - | - | - | - | GU91180607 | 2 | |
| 8 | Rubber spacer | - | - | - | - | GU91551085 | 2 | |
| 9 | Lamp 12V-10W | - | - | - | - | GU93450127 | 2 | |
| 10 | Turn indicator lens | - | - | - | 1A | GU23753710 | 2 | |
| 11 | Spacer | - | - | - | - | GU28147033 | 2 | |
| 12 | RH turn indicator | - | - | - | 2A | GU29750662 | 1 | |
| | LH turn indicator | - | - | - | 2A | GU29750663 | 1 | |
| 13 | Turn indicator lens | - | - | - | 2A | GU29753760 | 2 | |
| 14 | Notched washer | - | - | - | - | GU95021112 | 2 | |
| 15 | Low nut M12x1,25 | - | - | - | - | GU92602512 | 2 | |
| 16 | Rear turn indicator | - | - | - | 1A | GU28751633 | 2 | |
| 17 | Hose clamp 3,6x20,6 | - | - | - | - | GU14609650 | 1 | |
| 18 | Hose clamp 2,4x92 | - | - | - | - | GU49609601 | 1 | |

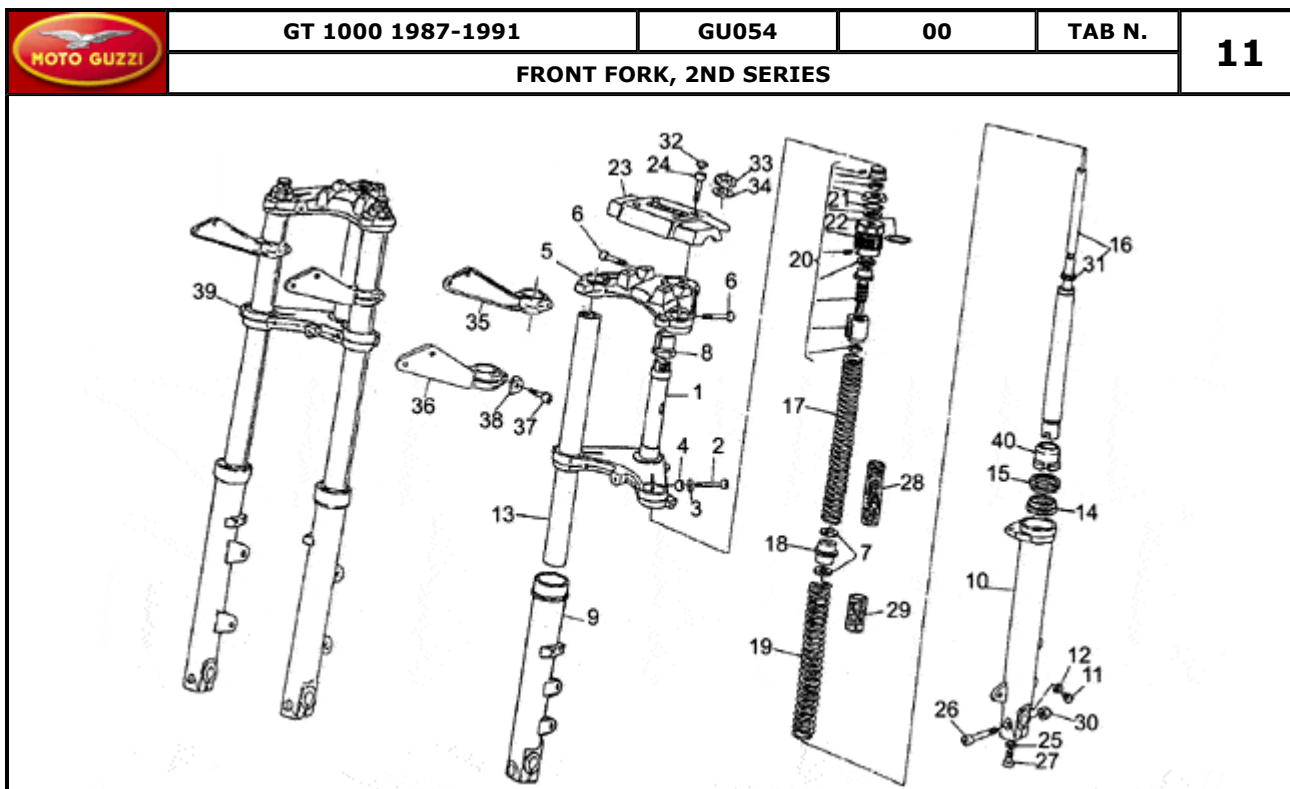


| Pos. | Description | Year | I_M_ | Country | Version | Code | Q.ty | P.Cod. |
|------|-----------------------|------|------|---------|---------|------------|------|--------|
| 1 | Plate | - | - | - | - | GU14115401 | 1 | |
| 2 | Hose clamp 57x59,5x10 | - | - | - | - | GU93305057 | 2 | |
| 3 | Carburettor flange | - | - | - | - | GU14114460 | 2 | |
| 4 | Hose clamp | - | - | - | - | GU28157850 | 1 | |
| 5 | Filter cover | - | - | - | - | GU28113450 | 1 | |
| 6 | Air filter support | - | - | - | - | GU28114050 | 1 | |
| 7 | Air filter | - | - | - | - | GU28113650 | 1 | |
| 8 | Air box | - | - | - | - | GU28114350 | 1 | |
| 9 | Screw | - | - | - | - | GU98052270 | 2 | |
| 10 | Washer | - | - | - | - | GU95000205 | 2 | |
| 11 | Nut | - | - | - | - | GU92630105 | 2 | |
| 12 | Hex screw M6X20 | - | - | - | - | GU98054320 | 1 | |
| 13 | Rubber spacer | - | - | - | - | GU91551085 | 1 | |
| 14 | Spacer | - | - | - | - | GU91180607 | 1 | |
| 15 | Washer 6,4x12x1,2 | - | - | - | - | GU95100141 | 1 | |
| 16 | Nut M6x1 | - | - | - | - | GU92630106 | 1 | |
| 17 | Pipe | - | - | - | - | GU28157050 | 1 | |
| 18 | Hose clamp | - | - | - | - | GU28157950 | 2 | |
| 19 | Hose clip d.26x0,8 | - | - | - | - | GU28157750 | 2 | |



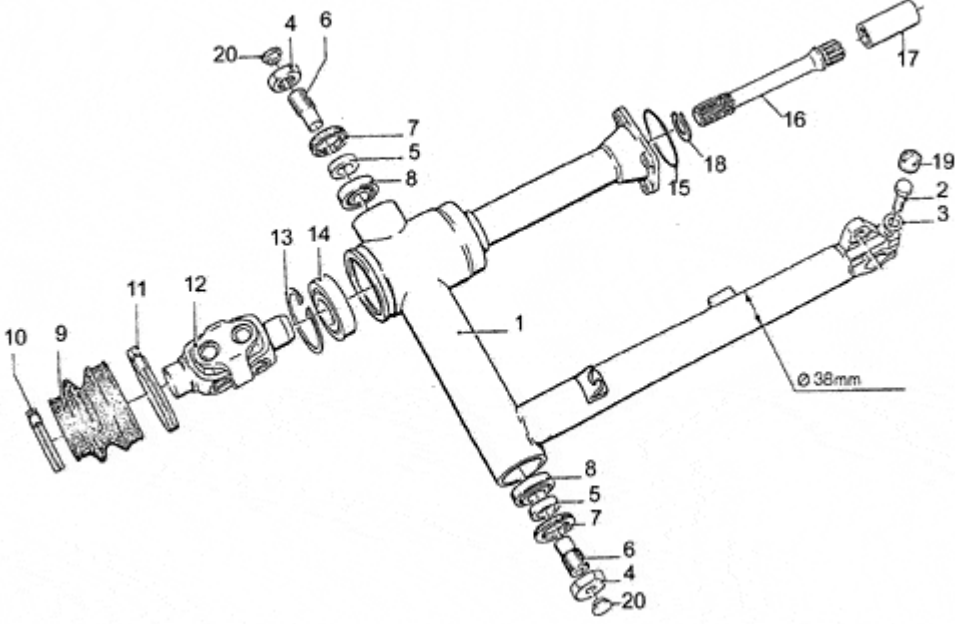
| Pos. | Description | Year | I_M | Country | Version | Code | Q.ty | P.Cod. |
|------|-------------------------|------|-----|---------|---------|------------|------|--------|
| 1 | Lower plate | - | - | - | - | GU28494033 | 1 | |
| 2 | Nylon washer | - | - | - | - | GU18526560 | 2 | |
| 3 | Hex socket screw M10x60 | - | - | - | - | GU98620560 | 2 | |
| 4 | Washer 10,2x18x2 | - | - | - | - | GU95004210 | 2 | |
| 5 | Spacer | - | - | - | - | GU91181110 | 2 | |
| 6 | Stem plug washer | - | - | - | - | GU18513560 | 1 | |
| 7 | Upper plate | - | - | - | - | GU28493133 | 1 | |
| 8 | Screw M10X40 | - | - | - | - | GU98620540 | 5 | |
| 9 | Steering lock bush | - | - | - | - | GU18516660 | 1 | |
| 10 | Plug | - | - | - | - | GU18513460 | 1 | |
| 11 | RH sleeve | - | - | - | - | GU28522533 | 1 | |
| 12 | LH sleeve | - | - | - | - | GU28522633 | 1 | |
| 13 | Oil seal | - | - | - | - | GU90403449 | 2 | |
| 14 | Stud bolt | - | - | - | - | GU96508021 | 4 | |
| 15 | Screw | - | - | - | - | GU98622312 | 2 | |
| 16 | Washer 6,25x10x1,5 | - | - | - | - | GU95100116 | 2 | |
| 17 | Sleeve | - | - | - | - | GU63525400 | 2 | |
| 18 | Dust cover | - | - | - | - | GU14524500 | 2 | |
| 19 | Fork shock absorber | - | - | - | - | GU29526400 | 2 | |
| 20 | Screw M8X35 | - | - | - | - | GU98620435 | 4 | |
| 21 | Pipe | - | - | - | - | GU14527800 | 2 | |
| 22 | Spring | - | - | - | - | GU18526960 | 2 | |
| 23 | Spacer | - | - | - | - | GU18527960 | 2 | |
| 24 | Return spring | - | - | - | - | GU18526660 | 2 | |
| 25 | Fork pump ring | - | - | - | - | GU14527900 | 2 | |
| 26 | Circlip | - | - | - | - | GU90271014 | 2 | |
| 27 | Gasket ring | - | - | - | - | GU90706238 | 2 | |
| 28 | Cup | - | - | - | - | GU29527400 | 2 | |
| 29 | Dowel | - | - | - | - | GU95510308 | 2 | |
| 30 | Nut | - | - | - | - | GU92781100 | 2 | |
| 31 | Nut | - | - | - | - | GU92602308 | 2 | |
| 32 | Plug | - | - | - | - | GU23943410 | 6 | |
| 33 | RH support | - | - | - | - | GU23496110 | 1 | |

| | | | | | | | | |
|----|---------------------------|---|---|---|---|---|------------|---|
| | RH support | - | - | - | - | - | GU28496133 | 1 |
| 34 | LH support | - | - | - | - | - | GU23496210 | 1 |
| 35 | Handlebar fixing plate | - | - | - | - | - | GU28500233 | 1 |
| 36 | Spacer | - | - | - | - | - | GU23497910 | 2 |
| 37 | Hex socket screw M8X25 | - | - | - | - | - | GU98622425 | 2 |
| 41 | Gasket | - | - | - | - | - | GU10528900 | 2 |
| 42 | Front shock abs.conn.pipe | - | - | - | - | - | GU29529600 | 1 |
| 43 | Copper washer | - | - | - | - | - | GU28556350 | 4 |
| 44 | Air valve | - | - | - | - | - | GU28556250 | 1 |
| 45 | Bored screw | - | - | - | - | - | GU28556450 | 1 |
| 47 | Screw | - | - | - | - | - | GU98620590 | 2 |

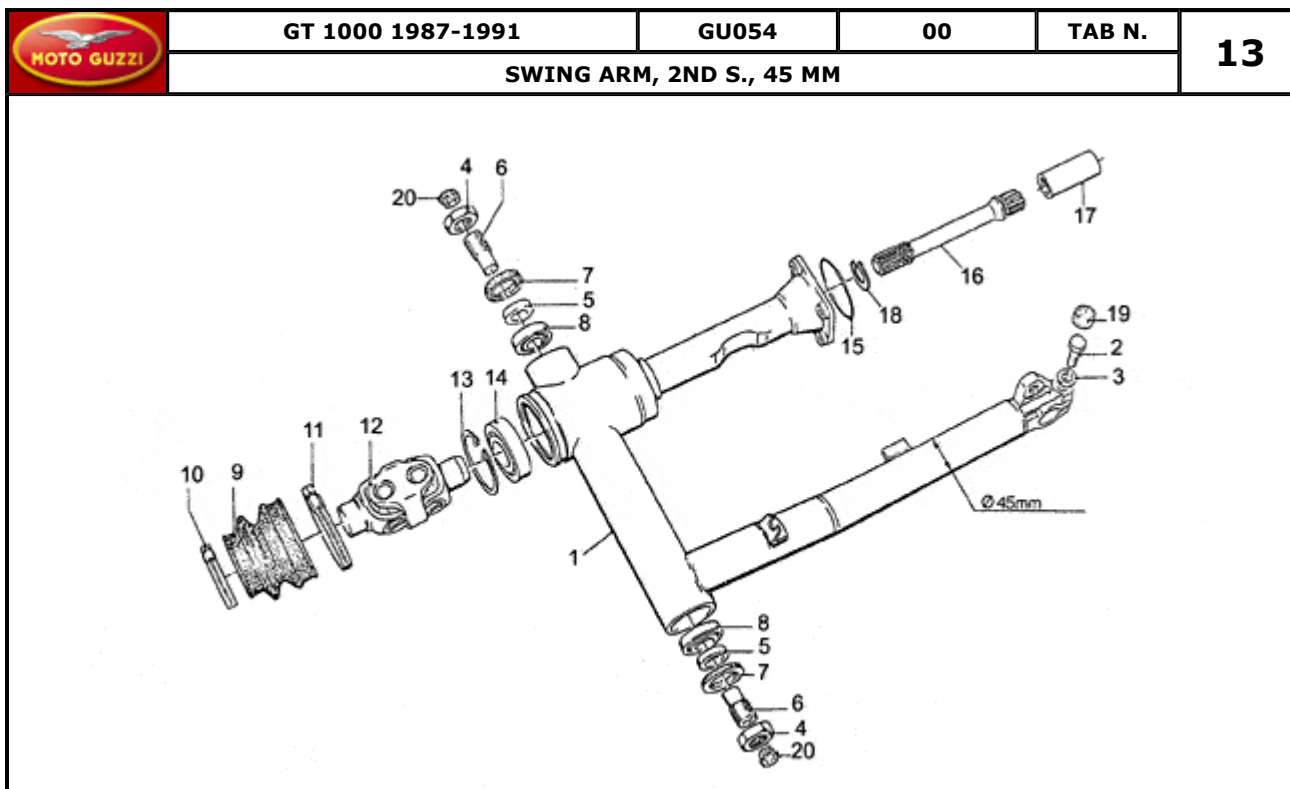


| Pos. | Description | Year | I_M | Country | Version | Code | Q.ty | P.Cod. |
|------|-------------------------|------|-----|---------|---------|------------|------|--------|
| 1 | Lower plate | - | - | - | - | GU29494050 | 1 | |
| 2 | Hex socket screw M10x60 | - | - | - | - | GU98620560 | 2 | |
| 3 | Washer 10,2x18x2 | - | - | - | - | GU95004210 | 2 | |
| 4 | Spacer | - | - | - | - | GU91181110 | 2 | |
| 5 | Fork upper plate | - | - | - | - | GU30493110 | 1 | |
| 6 | Screw M10X40 | - | - | - | - | GU98620540 | 3 | |
| 7 | Washer 17X27X2 | - | - | - | - | GU95004217 | 4 | |
| 8 | Steering lock bush | - | - | - | - | GU18516660 | 1 | |
| 9 | RH sleeve | - | - | - | - | GU28522534 | 1 | |
| 10 | LH sleeve | - | - | - | - | GU28522634 | 1 | |
| 11 | Hex socket screw M6X16 | - | - | - | - | GU98622316 | 2 | |
| 12 | Washer 6,25x10x1,5 | - | - | - | - | GU95100116 | 2 | |
| 13 | Front fork | - | - | - | - | GU29525450 | 2 | |
| 14 | Gasket ring | - | - | - | - | GU90403952 | 2 | |
| 15 | Dust cover | - | - | - | - | GU29524550 | 2 | |
| 16 | Fork shock absorber | - | - | - | - | GU29526460 | 2 | |
| 17 | Spring | - | - | - | - | GU29526960 | 2 | |
| 18 | Bush | - | - | - | - | GU29527960 | 2 | |
| 19 | Return spring | - | - | - | - | GU29526650 | 2 | |
| 20 | Adjustment kit | - | - | - | - | GU28999590 | 2 | |
| 21 | O-ring 23,52x1,78 | - | - | - | - | GU90706235 | 2 | |
| 22 | Gasket ring | - | - | - | - | GU90706282 | 2 | |
| 23 | Handlebar fixing plate | - | - | - | - | GU28500233 | 1 | |
| 24 | Screw M8X35 | - | - | - | - | GU98620435 | 4 | |
| 25 | Gasket | - | - | - | - | GU10528900 | 2 | |
| 26 | Screw | - | - | - | - | GU98820540 | 2 | |
| 27 | Screw 25 mm | - | - | - | - | GU98622525 | 2 | |
| 28 | Upper anti-rubbing pipe | - | - | - | - | GU29526360 | 1 | |
| 29 | Lower anti-rubbing pipe | - | - | - | - | GU29526361 | 1 | |
| 30 | Nut | - | - | - | - | GU92781100 | 2 | |
| 31 | Nylon washer | - | - | - | - | GU28526590 | 2 | |
| 32 | Plug | - | - | - | - | GU23943410 | 6 | |
| 33 | Plug | - | - | - | - | GU18513460 | 1 | |

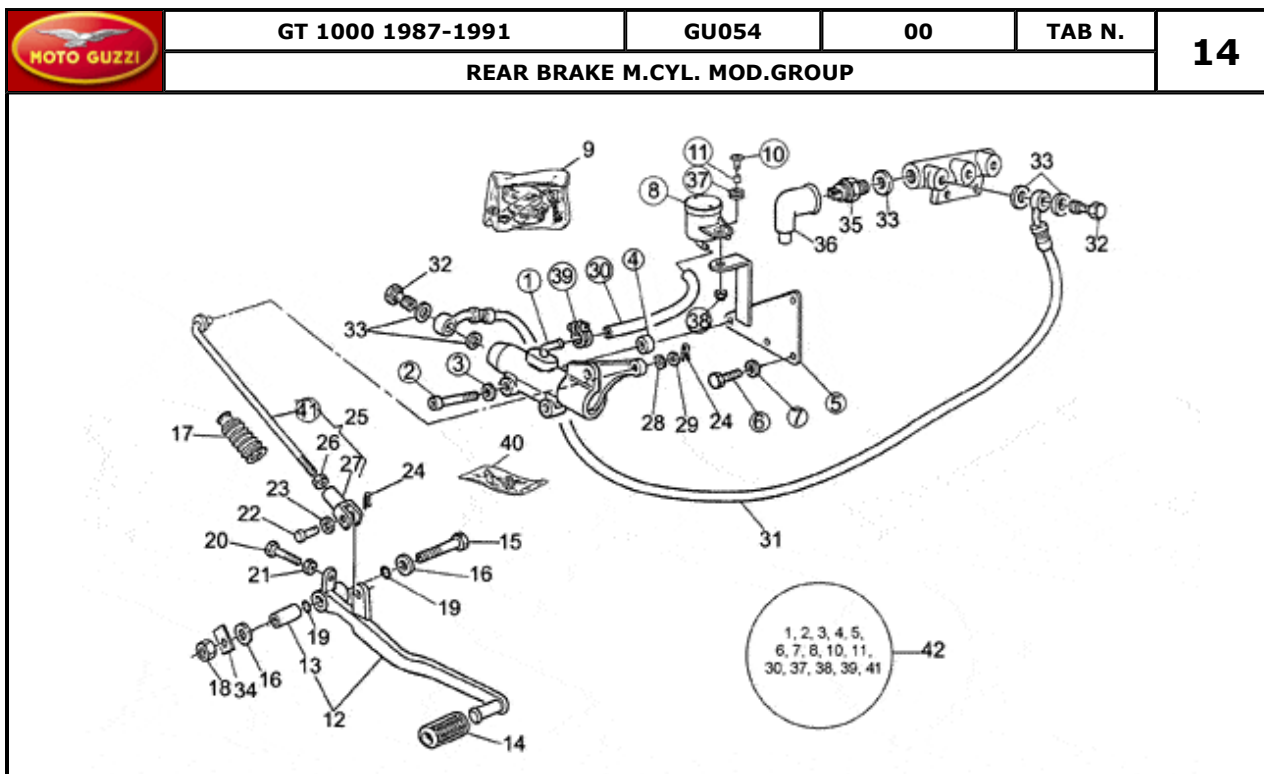
| | | | | | | | | |
|----|------------------------|---|---|---|----|---|------------|---|
| 34 | Stem plug washer | - | - | - | - | - | GU18513560 | 1 |
| 35 | RH headlight support | - | - | - | - | - | GU29496150 | 1 |
| 36 | LH headlight support | - | - | - | - | - | GU29496250 | 1 |
| 37 | Hex socket screw M8X25 | - | - | - | - | - | GU98622425 | 2 |
| 38 | Spacer | - | - | - | - | - | GU23497910 | 2 |
| 39 | Front fork | - | - | - | 2A | - | GU28490234 | 1 |
| 40 | Drift | - | - | - | - | - | GU28527633 | 2 |

| GT 1000 1987-1991 | | GU054 | | 00 | | TAB N. | | 12 | |
|------------------------------------------------------------------------------------|-------------|-------|------|---------|---------|--------|------|--------|--|
| SWING ARM, 1ST S., 38MM | | | | | | | | | |
|  | | | | | | | | | |
| Pos. | Description | Year | I_M_ | Country | Version | Code | Q.ty | P.Cod. | |

| | | | | | | | | | |
|----|-----------------------|---|---|---|---|---|------------|---|--|
| 1 | Swing arm | - | - | - | - | n | GU28540250 | 0 | |
| | Swing arm | - | - | - | - | r | GU28540233 | 1 | |
| 2 | Screw | - | - | - | - | - | GU98052535 | 1 | |
| 3 | Washer 10,2x18x2 | - | - | - | - | - | GU95004210 | 1 | |
| 4 | Nut | - | - | - | - | - | GU14547800 | 2 | |
| 5 | Spacer | - | - | - | - | - | GU12547200 | 2 | |
| 6 | Pin | - | - | - | - | - | GU14547001 | 2 | |
| 7 | Gasket ring | - | - | - | - | - | GU90403040 | 2 | |
| 8 | Bearing | - | - | - | - | - | GU92249217 | 2 | |
| 9 | Protection collar | - | - | - | - | - | GU18548000 | 1 | |
| 10 | Hose clamp 60x62x10 | - | - | - | - | - | GU93305060 | 1 | |
| 11 | Clamp | - | - | - | - | - | GU93305078 | 1 | |
| 12 | Coupling | - | - | - | - | - | GU30328031 | 1 | |
| 13 | Circlip | - | - | - | - | - | GU90272062 | 1 | |
| 14 | Ball bearing 30x62x16 | - | - | - | - | - | GU92204230 | 1 | |
| 15 | Gasket 58,42x2,62 | - | - | - | - | - | GU90706584 | 1 | |
| 16 | Drive shaft | - | - | - | - | - | GU28326350 | 1 | |
| 17 | Hose | - | - | - | - | - | GU12327700 | 1 | |
| 18 | Snap ring | - | - | - | - | - | GU90271020 | 1 | |
| 19 | Plug | - | - | - | - | - | GU14498550 | 1 | |
| 20 | Plug | - | - | - | - | - | GU93180105 | 2 | |

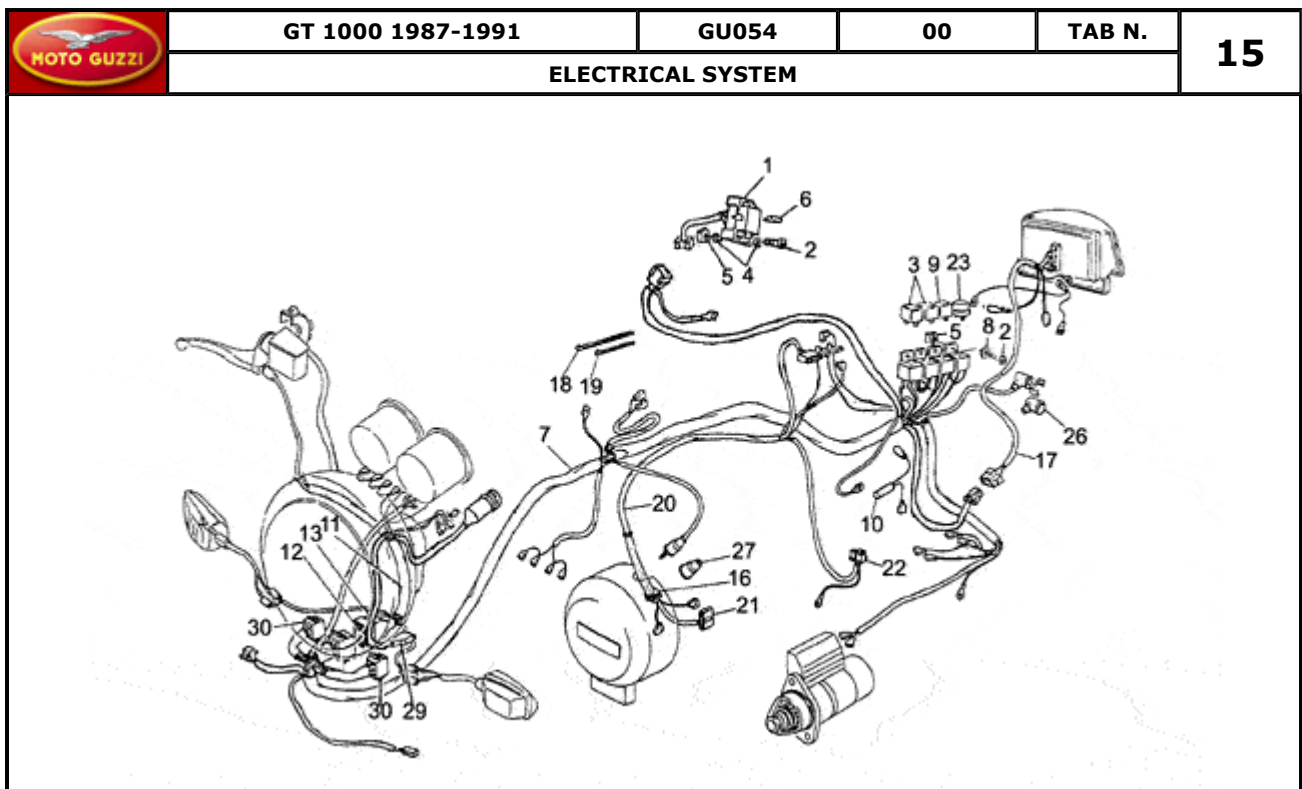


| Pos. | Description | Year | I_M_ | Country | Version | Code | Q.ty | P.Cod. |
|------|-----------------------|------|------|---------|---------|--------------|------|--------|
| 1 | Swing arm | - | - | - | - | r GU28540234 | 1 | |
| | Swing arm | - | - | - | - | v GU28540235 | 1 | |
| | Swing arm | - | - | - | - | n GU28540200 | 1 | |
| 2 | Screw | - | - | - | - | GU98052535 | 1 | |
| 3 | Washer 10,2x18x2 | - | - | - | - | GU95004210 | 1 | |
| 4 | Nut | - | - | - | - | GU14547800 | 2 | |
| 5 | Spacer | - | - | - | - | GU12547200 | 2 | |
| 6 | Pin | - | - | - | - | GU14547001 | 2 | |
| 7 | Gasket ring | - | - | - | - | GU90403040 | 2 | |
| 8 | Bearing | - | - | - | - | GU92249217 | 2 | |
| 9 | Protection collar | - | - | - | - | GU18548000 | 1 | |
| 10 | Hose clamp 60x62x10 | - | - | - | - | GU93305060 | 1 | |
| 11 | Clamp | - | - | - | - | GU93305078 | 1 | |
| 12 | Coupling | - | - | - | - | GU30328031 | 1 | |
| 13 | Circlip | - | - | - | - | GU90272062 | 1 | |
| 14 | Ball bearing 30x62x16 | - | - | - | - | GU92204230 | 1 | |
| 15 | Gasket 58,42x2,62 | - | - | - | - | GU90706584 | 1 | |
| 16 | Drive shaft | - | - | - | - | GU28326350 | 1 | |
| 17 | Hose | - | - | - | - | GU12327700 | 1 | |
| 18 | Snap ring | - | - | - | - | GU90271020 | 1 | |
| 19 | Plug | - | - | - | - | GU14498550 | 1 | |
| 20 | Plug | - | - | - | - | GU93180105 | 2 | |



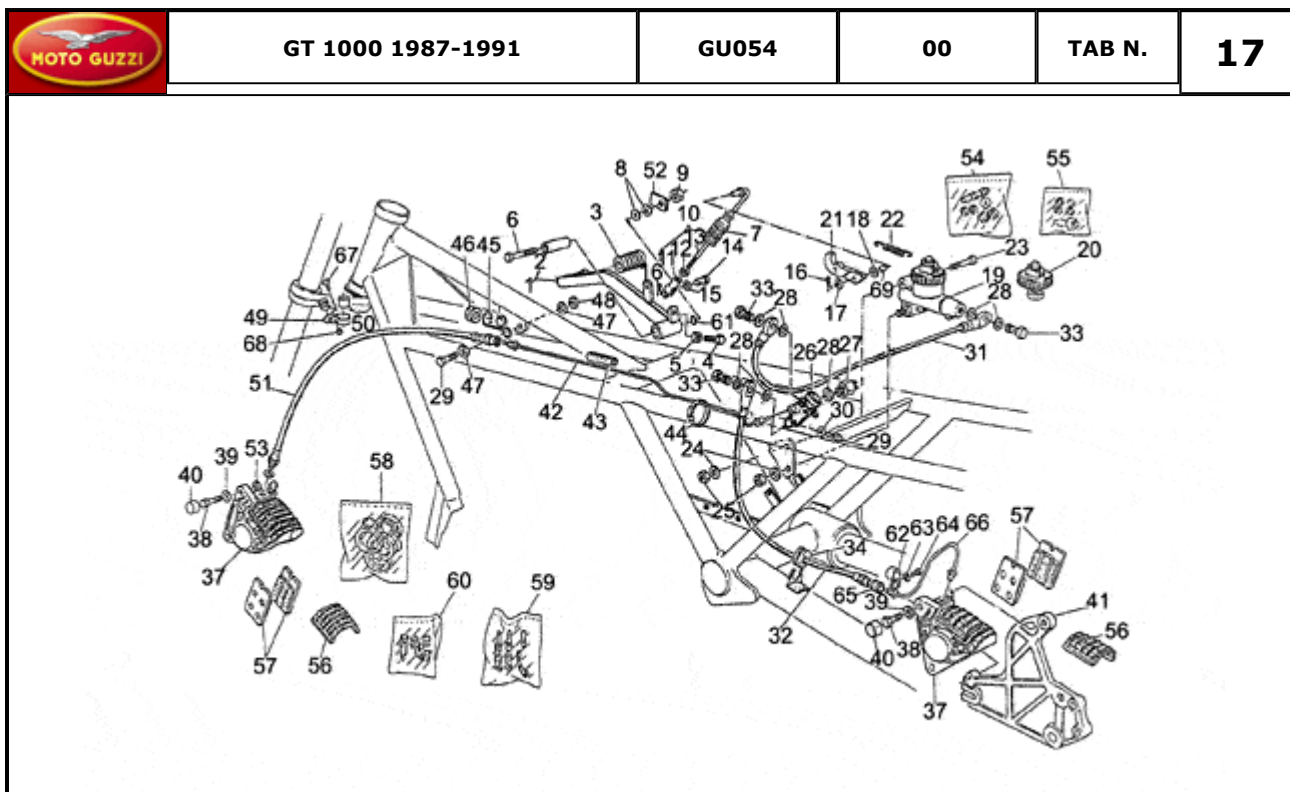
| Pos. | Description | Year | I_M | Country | Version | Code | Q.ty | P.Cod. |
|------|----------------------------|------|-----|---------|---------|---------------|------|--------|
| 1 | Rear master cylinder | - | - | - | - | GU30666960 | 1 | |
| 2 | Screw | - | - | - | - | GU98622345 | 2 | |
| 3 | Washer 6,4x10x0,7 | - | - | - | - | GU14217901 | 2 | |
| 4 | Spacer | - | - | - | - | GU91180718 | 2 | |
| 5 | Support plate | - | - | - | - | GU28666748 | 1 | |
| 6 | Hex screw M8X16 | - | - | - | - | GU98054416 | 2 | |
| 7 | Washer 8,4X13X0,8 | - | - | - | - | GU14615901 | 2 | |
| 8 | Brake oil tank | - | - | - | - | GU30665000 | 1 | |
| 9 | Tank cover | - | - | - | - | GU30661100 | 1 | |
| 10 | Screw | - | - | - | - | GU98230616 | 1 | |
| 11 | Spacer | - | - | - | - | GU91180607 | 1 | |
| 12 | Brake lever | - | - | - | - | GU28676548 | 1 | |
| 13 | Bush | - | - | - | - | GU28252010 | 1 | |
| 14 | Rubber spacer | - | - | - | - | GU14251001 | 1 | |
| 15 | Screw | - | - | - | - | GU30252360 | 1 | |
| 16 | Washer | - | - | - | - | GU95100409 | 2 | |
| 17 | Cap | - | - | - | - | GU17093850 | 1 | |
| 18 | Nut | - | - | - | - | GU92701120 | 1 | |
| 19 | O-ring | - | - | - | - | GU90706108 | 2 | |
| 20 | Hex screw M6X20 | - | - | - | - | GU98054320 | 1 | |
| 21 | Nut | - | - | - | - | GU92602206 | 1 | |
| 22 | Pin | - | - | - | - | GU95770265 | 1 | |
| 23 | Washer | - | - | - | - | GU95129110 | 1 | |
| 24 | Split pin | - | - | - | - | GU95500222 | 2 | |
| 25 | Change gear tie rod compl. | - | - | - | - | GU28675048 | 1 | |
| 26 | Nut | - | - | - | - | GU92700073 | 1 | |
| 27 | Fork | - | - | - | - | GU95740175 | 1 | |
| 28 | Spring washer | - | - | - | - | GU95129130 | 1 | |
| 29 | Washer 7,5x13x1 | - | - | - | - | GU95100173 | 1 | |
| 30 | Rear brake hose | - | - | - | - | GU00823950050 | 1 | |
| 31 | Divider-pump pipe | - | - | - | - | GU28658500 | 1 | |
| 32 | Oil pipe screw * | - | - | - | - | GU95990028 | 2 | |
| 33 | Gasket | - | - | - | - | GU25656100 | 5 | |
| 34 | Safety plate | - | - | - | - | GU95184014 | 1 | |

| | | | | | | | | |
|----|-------------------------------|---|---|---|---|---|------------|---|
| 35 | Switch | - | - | - | - | - | GU63657000 | 1 |
| 36 | Cap | - | - | - | - | - | GU12735100 | 1 |
| 37 | Rubber spacer | - | - | - | - | - | GU91551085 | 1 |
| 38 | Nut M6x1 | - | - | - | - | - | GU92630206 | 1 |
| 39 | Hose clamp | - | - | - | - | - | GU19157800 | 2 |
| 40 | Pump connection overhaul unit | - | - | - | - | - | GU19659500 | 1 |
| 41 | Tie rod | - | - | - | - | - | GU28675148 | 1 |
| 42 | Rear brake master cyl.kit | - | - | - | - | - | GU28999648 | 1 |



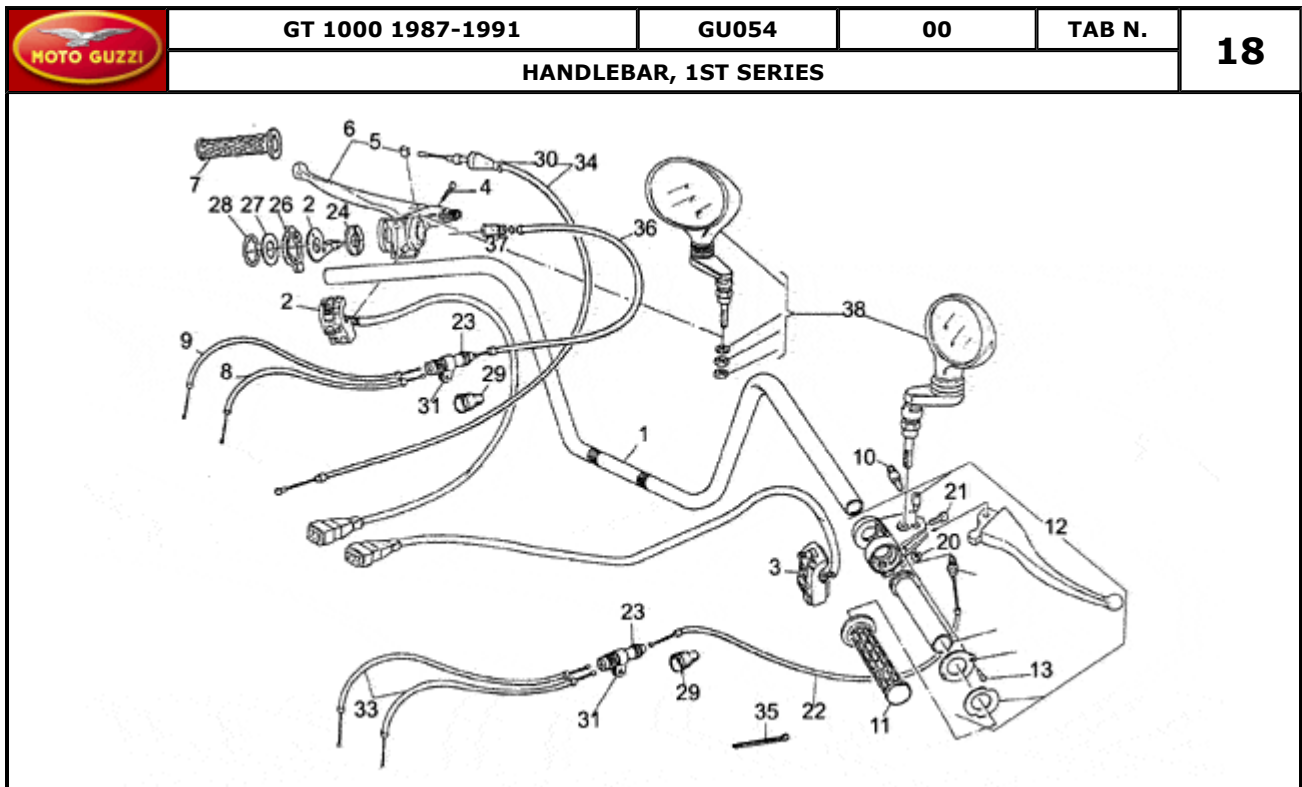
| Pos. | Description | Year | I_M | Country | Version | Code | Q.ty | P.Cod. |
|------|-----------------------------|------|-----|---------|---------|------------|------|--------|
| 1 | Fuse holder box | - | - | - | - | GU27743050 | 1 | |
| 2 | Screw | - | - | - | - | GU98202516 | 4 | |
| 3 | Siren relay | - | - | - | B | GU28732560 | 2 | |
| | Starting relay | - | - | - | V | GU30732510 | 2 | |
| 4 | Washer 5,25x14x1,5 | - | - | - | - | GU95100059 | 2 | |
| 5 | Captive nut | - | - | - | - | GU92660501 | 4 | |
| 6 | Fuse 15A | - | - | - | - | GU28742560 | 6 | |
| 7 | Electrical system | - | - | - | 1A-M | GU29747150 | 1 | |
| | Electrical system | - | - | - | 2A-CP | GU29747170 | 1 | |
| | Electrical system | - | - | - | 3A-CE | GU29747171 | 1 | |
| 8 | Washer | - | - | - | - | GU95004205 | 2 | |
| 9 | Lateral stand switch | - | - | - | - | GU29732550 | 1 | |
| 10 | Resistance | - | - | - | - | GU28727200 | 1 | |
| 11 | Dashboard cable | - | - | - | 3A-C | GU28747235 | 1 | |
| | Dashboard cable | - | - | - | 2A | GU28747234 | 1 | |
| | Dashboard cable | - | - | - | 1A | GU28747233 | 1 | |
| 12 | Connector 15 vie | - | - | - | - | GU14756251 | 1 | |
| 13 | Cap | - | - | - | - | GU17756000 | 1 | |
| 16 | Rubber spacer | - | - | - | - | GU19007700 | 1 | |
| 17 | Taillight wiring harn. | - | - | - | - | GU28747333 | 1 | |
| 18 | Hose clamp 3,6x20,6 | - | - | - | - | GU14609650 | 1 | |
| 19 | Hose clamp 2,4x92 | - | - | - | - | GU49609601 | 1 | |
| 20 | Alternator-regulator wiring | - | - | - | - | GU28726333 | 1 | |
| 21 | Connector 3 vie | - | - | - | - | GU61712500 | 2 | |
| 22 | Connector | - | - | - | - | GU61712600 | 1 | |
| 23 | Flasher unit | - | - | - | - | GU17750520 | 1 | |
| 26 | Cap | - | - | - | - | GU12735100 | 1 | |
| 27 | Cap | - | - | - | - | GU12717600 | 1 | |
| 29 | Cap | - | - | - | - | GU17756060 | 1 | |
| 30 | Connector 9 vie | - | - | - | - | GU65723001 | 2 | |

| Pos. | Description | Year | I_M_ | Country | Version | Code | Q.ty | P.Cod. |
|------|-------------------------|------|------|---------|---------|------------|------|--------|
| | | | | | | | | |
| 1 | Front master cilinder | - | - | - | 1A | GU29660250 | 1 | |
| | Front master cilinder | - | - | - | 2A | GU28660278 | 1 | |
| 2 | Bracket | - | - | - | 2A | GU27664075 | 1 | |
| | Screw | - | - | - | 1A | GU98812216 | 2 | |
| 3 | Front brake hose | - | - | - | - | GU28657140 | 1 | |
| 4 | Oil pipe screw * | - | - | - | - | GU95990028 | 1 | |
| 5 | Gasket | - | - | - | - | GU25656100 | 3 | |
| 6 | Hose clamp | - | - | - | - | GU17658460 | 1 | |
| 7 | Ring | - | - | - | - | GU17658260 | 1 | |
| 8 | RH front brake caliper | - | - | - | - | GU28653001 | 1 | |
| 9 | Screw | - | - | - | - | GU98054525 | 2 | |
| 10 | Washer 10,5X18X0,8 | - | - | - | - | GU95129180 | 2 | |
| 11 | Plug | - | - | - | - | GU14498550 | 2 | |
| 12 | Clearance washer 0,5 mm | - | - | - | - | GU95100332 | 1 | |
| | Clearance washer 0,8 mm | - | - | - | - | GU95100333 | 1 | |
| 13 | Pump cover | - | - | - | 2A | GU27661115 | 1 | |
| | Cover | - | - | - | 1A | GU23661110 | 1 | |
| 14 | Brake mast.cyl rev. kit | - | - | - | 1A | GU23659310 | 1 | |
| | Pump revision kit | - | - | - | 2A | GU28659378 | 1 | |
| 15 | Brake caliper cover | - | - | - | - | GU17654760 | 1 | |
| 16 | Pads (pair) Frendo 222 | - | - | - | - | GU28654601 | 1 | |
| 17 | Bleeder+cap | - | - | - | - | GU17659260 | 1 | |
| 18 | Pins+Caliper springs | - | - | - | - | GU14659100 | 1 | |
| 19 | Brake caliper rev. kit | - | - | - | - | GU14659000 | 1 | |
| 20 | Cap | - | - | - | - | GU39663801 | 1 | |
| 21 | Pin | - | - | - | 2A | GU27604815 | 1 | |
| 22 | Cap | - | - | - | 2A | GU27663615 | 1 | |
| 23 | Brake light switch | - | - | - | 2A | GU27749815 | 1 | |
| 24 | Screw | - | - | - | 2A | GU98200214 | 2 | |
| 25 | Front brake lever | - | - | - | 2A | GU28605678 | 1 | |
| 26 | Nut | - | - | - | 2A | GU92608202 | 2 | |
| 27 | Ball | - | - | - | 2A | GU92295708 | 1 | |
| 28 | Plug | - | - | - | 2A | GU93180080 | 2 | |

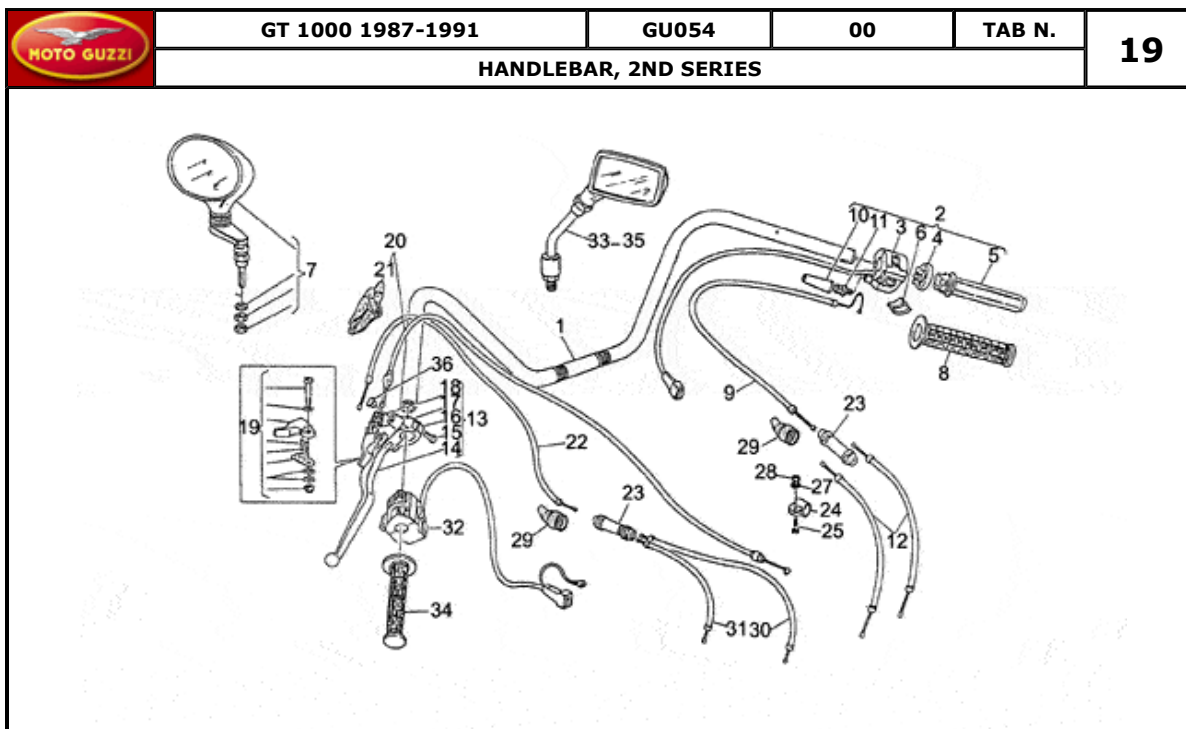


| Pos. | Description | Year | I_M | Country | Version | Code | Q.ty | P.Cod. |
|------|----------------------------|------|-----|---------|-----------------|------------|------|--------|
| 1 | Brake lever+bush | - | - | - | - | GU30676510 | 1 | |
| 2 | Bush | - | - | - | - | GU28252010 | 1 | |
| 3 | Rubber spacer | - | - | - | - | GU14251001 | 1 | |
| 4 | Hex screw M6X20 | - | - | - | - | GU98054320 | 1 | |
| 5 | Nut | - | - | - | - | GU92602206 | 1 | |
| 6 | Pin | - | - | - | - | GU17252350 | 1 | |
| 7 | Cap | - | - | - | - | GU17093850 | 1 | |
| 8 | Washer | - | - | - | - | GU95100409 | 2 | |
| 9 | Nut | - | - | - | - | GU92701120 | 1 | |
| 10 | Change gear tie rod compl. | - | - | - | - | GU17675050 | 1 | |
| 11 | Fork | - | - | - | - | GU95740175 | 1 | |
| 12 | Nut | - | - | - | - | GU92700073 | 1 | |
| 13 | Tie rod | - | - | - | - | GU17675150 | 1 | |
| 14 | Pin | - | - | - | - | GU95770265 | 1 | |
| 15 | Washer | - | - | - | - | GU95129110 | 1 | |
| 16 | Split pin | - | - | - | - | GU95500222 | 2 | |
| 17 | Washer 7,5x13x1 | - | - | - | - | GU95100173 | 1 | |
| 18 | Spring washer | - | - | - | - | GU95129130 | 1 | |
| 19 | Rear master cylinder | - | - | - | 02699N-E- O2 | GU29667000 | 1 | |
| 20 | Pump cover | - | - | - | - | GU18667450 | 1 | |
| 21 | Pump control lever | - | - | - | - | GU17667551 | 1 | |
| 22 | Spring | - | - | - | - | GU17667651 | 1 | |
| 23 | Screw M8X40 | - | - | - | - | GU98620440 | 1 | |
| 24 | Spring washer | - | - | - | - | GU95021108 | 2 | |
| 25 | Nut M8X1,25 | - | - | - | - | GU92602208 | 2 | |
| 26 | Valve | - | - | - | - | GU28668533 | 1 | |
| 27 | Switch | - | - | - | - | GU63657000 | 1 | |
| 28 | Gasket | - | - | - | - | GU25656100 | 9 | |
| 29 | Special washer | - | - | - | - | GU61013800 | 3 | |
| 30 | Washer | - | - | - | - | GU95000206 | 2 | |
| 31 | Pipe | - | - | - | - | GU28658560 | 1 | |
| 32 | Pipe | - | - | - | - | GU17657550 | 1 | |

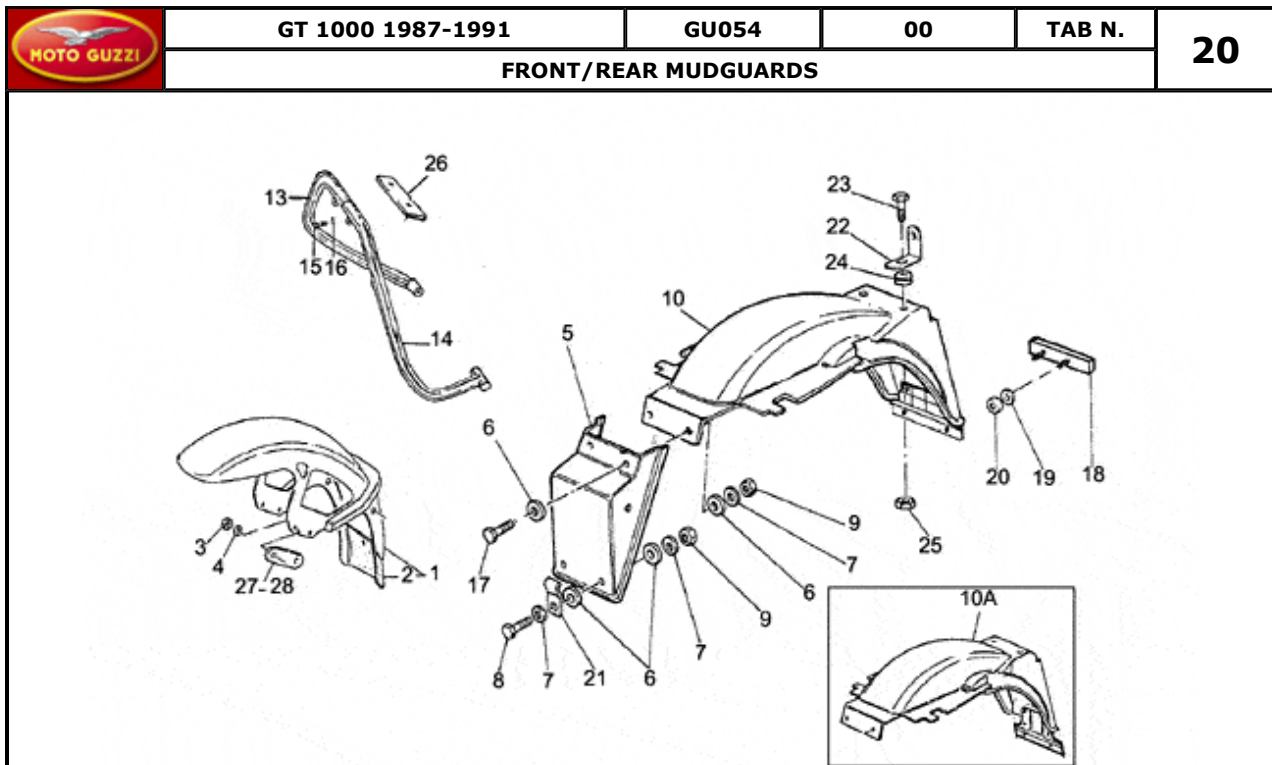
| | | | | | | | | |
|----|---------------------------|---|---|---|----|---|------------|---|
| 33 | Oil pipe screw * | - | - | - | - | - | GU95990028 | 4 |
| 34 | Rubber spacer | - | - | - | - | - | GU91551131 | 1 |
| 37 | Brake caliper | - | - | - | - | - | GU28652301 | 2 |
| 38 | Screw | - | - | - | - | - | GU98054525 | 4 |
| 39 | Washer 10,5X18X0,8 | - | - | - | - | - | GU95129180 | 4 |
| 40 | Plug | - | - | - | - | - | GU14498550 | 4 |
| 41 | Rear brake caliper brcket | - | - | - | 1A | - | GU18635860 | 1 |
| | Clamp | - | - | - | 2A | - | GU28635847 | 1 |
| 42 | Pipe | - | - | - | - | - | GU28658760 | 1 |
| 43 | Piston ring | - | - | - | - | - | GU17659650 | 2 |
| 44 | Hose clamp 3,6x20,6 | - | - | - | - | - | GU14609650 | 3 |
| 45 | Cable-guide | - | - | - | - | - | GU28659700 | 1 |
| 46 | Ring | - | - | - | - | - | GU91551120 | 1 |
| 47 | Washer | - | - | - | - | - | GU95000206 | 2 |
| 48 | Nut M6x1 | - | - | - | - | - | GU92630106 | 1 |
| 49 | Hose clamp | - | - | - | - | - | GU17658360 | 1 |
| 50 | Ring | - | - | - | - | - | GU17658260 | 1 |
| 51 | Flexible pipe | - | - | - | - | - | GU28658840 | 1 |
| 52 | Safety plate | - | - | - | - | - | GU95184014 | 1 |
| 53 | Clearance washer 0,8 mm | - | - | - | - | - | GU95100333 | 1 |
| | Clearance washer 0,5 mm | - | - | - | - | - | GU95100332 | 1 |
| 54 | Pump revision kit | - | - | - | - | - | GU17659350 | 1 |
| 55 | Pads kit | - | - | - | - | - | GU14659450 | 1 |
| 56 | Brake caliper cover | - | - | - | - | - | GU17654760 | 2 |
| 57 | Pads (pair) Frendo 222 | - | - | - | - | - | GU28654601 | 2 |
| 58 | Brake caliper rev. kit | - | - | - | - | - | GU14659000 | 1 |
| 59 | Pins+Caliper springs | - | - | - | - | - | GU14659100 | 1 |
| 60 | Bleeder+cap | - | - | - | - | - | GU17659260 | 1 |
| 61 | O-ring | - | - | - | - | - | GU90706108 | 2 |
| 62 | Hose clamp | - | - | - | - | - | GU62436500 | 1 |
| 63 | Washer | - | - | - | - | - | GU95000206 | 1 |
| 64 | Screw | - | - | - | - | - | GU98054314 | 1 |
| 65 | Snap ring | - | - | - | - | - | GU90716142 | 1 |
| 66 | Pipe | - | - | - | - | - | GU17658650 | 1 |
| 67 | Screw | - | - | - | - | - | GU98280410 | 1 |
| 68 | Nut M4x0,7 | - | - | - | - | - | GU92630104 | 1 |
| 69 | Bush | - | - | - | - | - | GU17667751 | 1 |



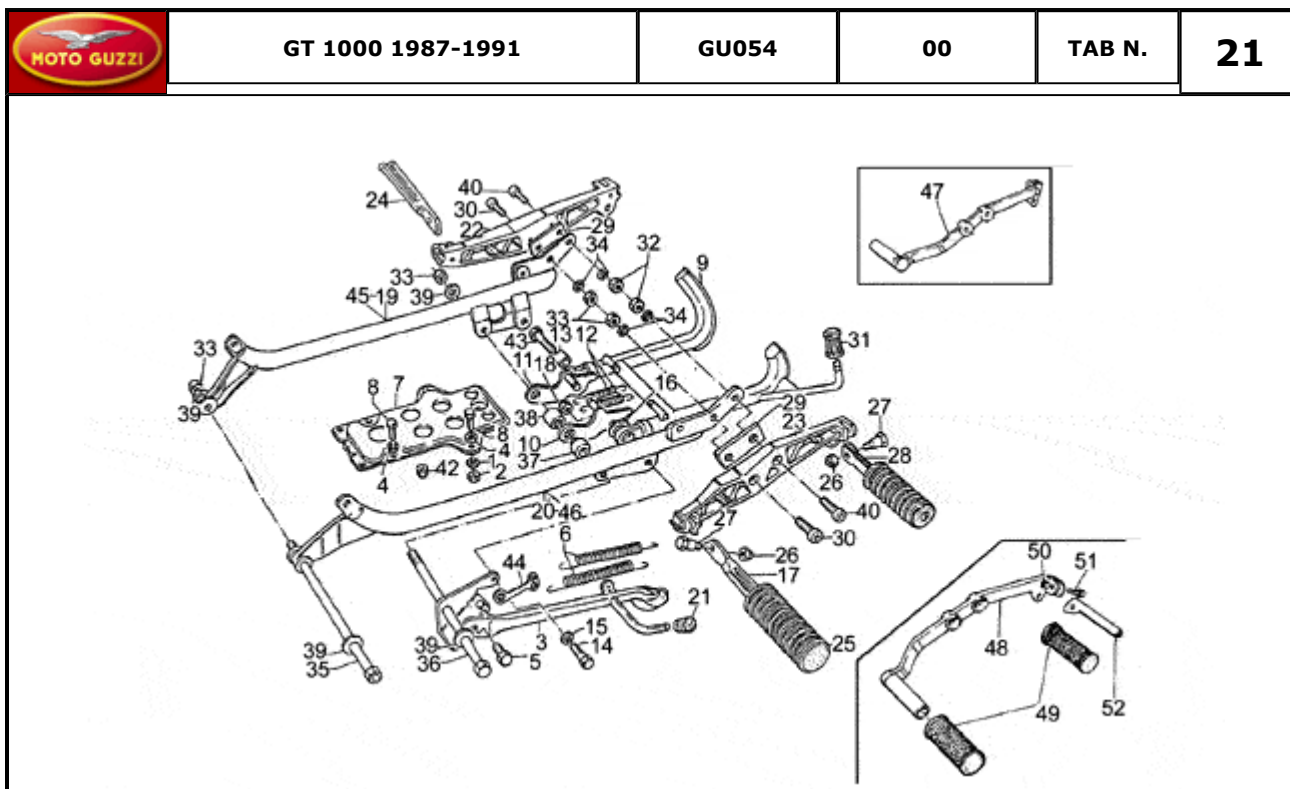
| Pos. | Description | Year | I_M_ | Country | Version | Code | Q.ty | P.Cod. |
|------|----------------------------|------|------|---------|---------|------------|------|--------|
| 1 | Handlebar | - | - | - | - | GU28600334 | 1 | |
| 2 | LH lights selector | - | - | - | - | GU23738070 | 1 | |
| 3 | RH lights selector | - | - | - | - | GU23750370 | 1 | |
| 4 | Screw | - | - | - | - | GU98260425 | 2 | |
| 5 | Bush | - | - | - | - | GU29608750 | 1 | |
| 6 | Clutch lever | - | - | - | - | GU29605550 | 1 | |
| 7 | LH hand grip | - | - | - | - | GU29603050 | 1 | |
| 8 | RH choke cable | - | - | - | - | GU29133550 | 1 | |
| 9 | LH choke cable | - | - | - | - | GU29134050 | 1 | |
| 10 | Brake light switch | - | - | - | - | GU29741150 | 1 | |
| 11 | RH hand grip | - | - | - | - | GU29603550 | 1 | |
| 12 | Throttle cable assy | - | - | - | - | GU29999250 | 1 | |
| 13 | Screw | - | - | - | - | GU98280410 | 1 | |
| 20 | Nut | - | - | - | - | GU92601206 | 1 | |
| 21 | Hex socket screw M6x16 | - | - | - | - | GU98612316 | 1 | |
| 22 | Throttle cable | - | - | - | - | GU28117533 | 1 | |
| 23 | Splitter | - | - | - | - | GU30607910 | 1 | |
| 24 | Ring | - | - | - | - | GU29132050 | 1 | |
| 25 | Choke control | - | - | - | - | GU29133250 | 1 | |
| 26 | Starter lever | - | - | - | - | GU29132350 | 1 | |
| 27 | Washer | - | - | - | - | GU29132650 | 1 | |
| 28 | Ring | - | - | - | - | GU17751100 | 1 | |
| 29 | Cap | - | - | - | - | GU12717600 | 2 | |
| 30 | Bellows | - | - | - | - | GU23093870 | 1 | |
| 31 | Hose clamp | - | - | - | - | GU19133400 | 2 | |
| 33 | Throttle cable w/ splitter | - | - | - | - | GU29117750 | 2 | |
| 34 | Clutch cable | - | - | - | - | GU28093033 | 1 | |
| 35 | Hose clamp | - | - | - | - | GU61609630 | 1 | |
| | Hose clamp 3,6x20,6 | - | - | - | - | GU14609650 | 1 | |
| 36 | Choke cable | - | - | - | - | GU28132833 | 1 | |
| 37 | Rubber spacer | - | - | - | - | GU29132750 | 1 | |
| 38 | Mirrors-pair | - | - | - | - | GU23999570 | 1 | |



| Pos. | Description | Year | I_M | Country | Version | Code | Q.ty | P.Cod. |
|------|----------------------------|------|-----|---------|-----------|------------|------|--------|
| 1 | Handlebar | - | - | - | - | GU28600335 | 1 | |
| 2 | Throttle | - | - | - | - | GU27603400 | 1 | |
| 3 | Throttle | - | - | - | - | GU27738815 | 1 | |
| 4 | Steering block | - | - | - | - | GU27604415 | 1 | |
| 5 | Mobile body | - | - | - | - | GU27603815 | 1 | |
| 6 | Cable guide | - | - | - | - | GU27604515 | 1 | |
| 7 | Mirrors-pair | - | - | - | 1A | GU23999570 | 1 | |
| 8 | RH hand grip | - | - | - | - | GU29603550 | 1 | |
| 9 | Throttle cable | - | - | - | - | GU28117534 | 1 | |
| 10 | Cap | - | - | - | - | GU27117615 | 1 | |
| 11 | Adjuster screw | - | - | - | - | GU27603715 | 1 | |
| 12 | Throttle cable w/ splitter | - | - | - | - | GU29117750 | 2 | |
| 13 | Clutch lever cpl. | - | - | - | - | GU27605515 | 1 | |
| 14 | Clutch lever | - | - | - | - | GU27605715 | 1 | |
| 15 | Screw | - | - | - | - | GU27601215 | 2 | |
| 16 | U-bolt | - | - | - | - | GU27601015 | 1 | |
| 17 | Clutch lever U-bolt | - | - | - | - | GU27601815 | 1 | |
| 18 | Register | - | - | - | R2 | GU30602500 | 1 | |
| | Register | - | - | - | R1 | GU27602515 | 1 | |
| 19 | Starter lever | - | - | - | - | GU27659415 | 1 | |
| 20 | Clutch cable | - | - | - | R1 | GU28093011 | 1 | |
| | Clutch cable | - | - | - | R2 | GU28093034 | 1 | |
| 21 | Protection | - | - | - | - | GU27663815 | 1 | |
| 22 | Choke control | - | - | - | - | GU28132834 | 1 | |
| 23 | Splitter | - | - | - | - | GU30607910 | 2 | |
| 24 | Hose clamp | - | - | - | - | GU19133400 | 1 | |
| 25 | Screw | - | - | - | - | GU98054220 | 1 | |
| 27 | Washer | - | - | - | - | GU95000205 | 1 | |
| 28 | Nut | - | - | - | - | GU92630105 | 1 | |
| 29 | Cap | - | - | - | - | GU12717600 | 2 | |
| 30 | RH choke cable | - | - | - | - | GU29133550 | 1 | |
| 31 | LH choke cable | - | - | - | - | GU29134050 | 1 | |
| 32 | LH lights selector | - | - | - | - | GU27738015 | 1 | |
| 33 | LH rearview mirror | - | - | - | 00797N-2A | GU14769470 | 1 | |
| 34 | LH hand grip | - | - | - | - | GU29603050 | 1 | |
| 35 | RH rearview mirror | - | - | - | 00797N-2A | GU14769870 | 1 | |
| 36 | Rubber spacer | - | - | - | - | GU93180050 | 2 | |

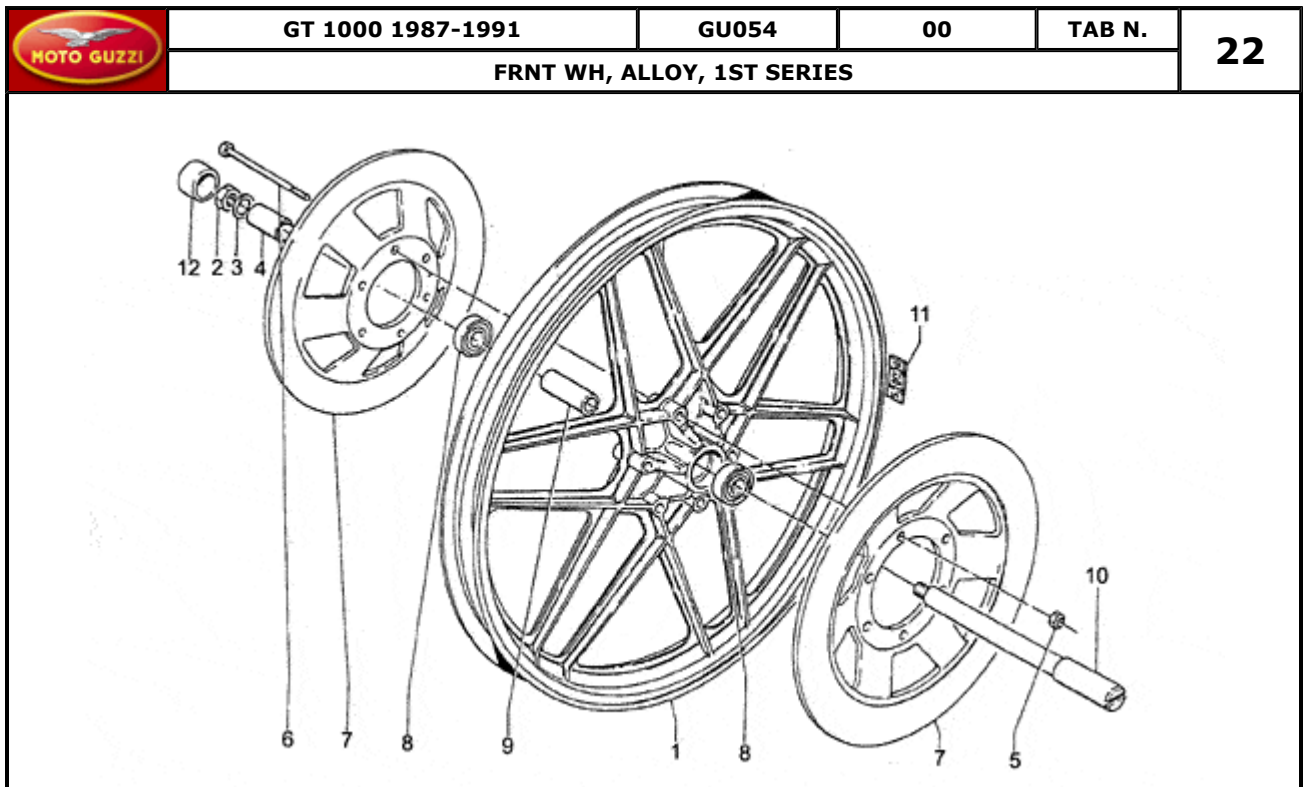


| Pos. | Description | Year | I_M_ | Country | Version | Code | Q.ty | P.Cod. |
|------|------------------------|------|------|---------|---------|------------------|------|--------|
| 1 | Front mudguard | - | - | - | - | n GU28434333 | 1 | |
| | Front mudguard | - | - | - | - | v GU28434329 | 1 | |
| | Front mudguard | - | - | - | - | r GU28434334 | 1 | |
| | Front mudguard | - | - | - | - | gr GU28434300001 | 1 | |
| 2 | Splash guard | - | - | - | - | GU28436945 | 1 | |
| 3 | Nut | - | - | - | - | GU92630508 | 4 | |
| 4 | Spring washer 8x15x0,3 | - | - | - | - | GU61270300 | 4 | |
| 5 | Splash guard | - | - | - | - | GU14438700 | 1 | |
| 6 | Rubber spacer | - | - | - | - | GU93110060 | 8 | |
| 7 | Washer 6,4x12x1,2 | - | - | - | - | GU95100141 | 4 | |
| 8 | Hex screw M6X20 | - | - | - | - | GU98054320 | 2 | |
| 9 | Nut M6x1 | - | - | - | - | GU92630106 | 4 | |
| 10 | Rear mudguard | - | - | D | - | GU28437033 | 1 | |
| | Rear mudguard | - | - | I | - | GU28437010 | 1 | |
| 13 | RH side bumper | - | - | - | - | GU17450300 | 1 | |
| 14 | LH side bumper | - | - | - | - | GU17450400 | 1 | |
| 15 | Hex screw M8X20 | - | - | - | - | GU98054420 | 2 | |
| 16 | Washer | - | - | - | - | GU95004208 | 2 | |
| 17 | Screw | - | - | - | - | GU98054325 | 2 | |
| 18 | Rear reflector | - | - | - | - | GU28745800 | 1 | |
| 19 | Washer | - | - | - | - | GU95129080 | 2 | |
| 20 | Nut | - | - | - | - | GU92602204 | 2 | |
| 21 | U-bolt | - | - | - | - | GU93301313 | 2 | |
| 22 | Plate | - | - | - | - | GU28438000 | 2 | |
| 23 | Screw | - | - | - | - | GU98326016 | 2 | |
| 24 | Rubber spacer | - | - | - | - | GU93110060 | 2 | |
| 25 | Nut M6x1 | - | - | - | - | GU92630106 | 2 | |
| 26 | Plate | - | - | - | - | GU17451750 | 2 | |
| 27 | Plate | - | - | - | 1A | GU19436600 | 2 | |
| 28 | Plate | - | - | - | 2A | GU28436633 | 2 | |

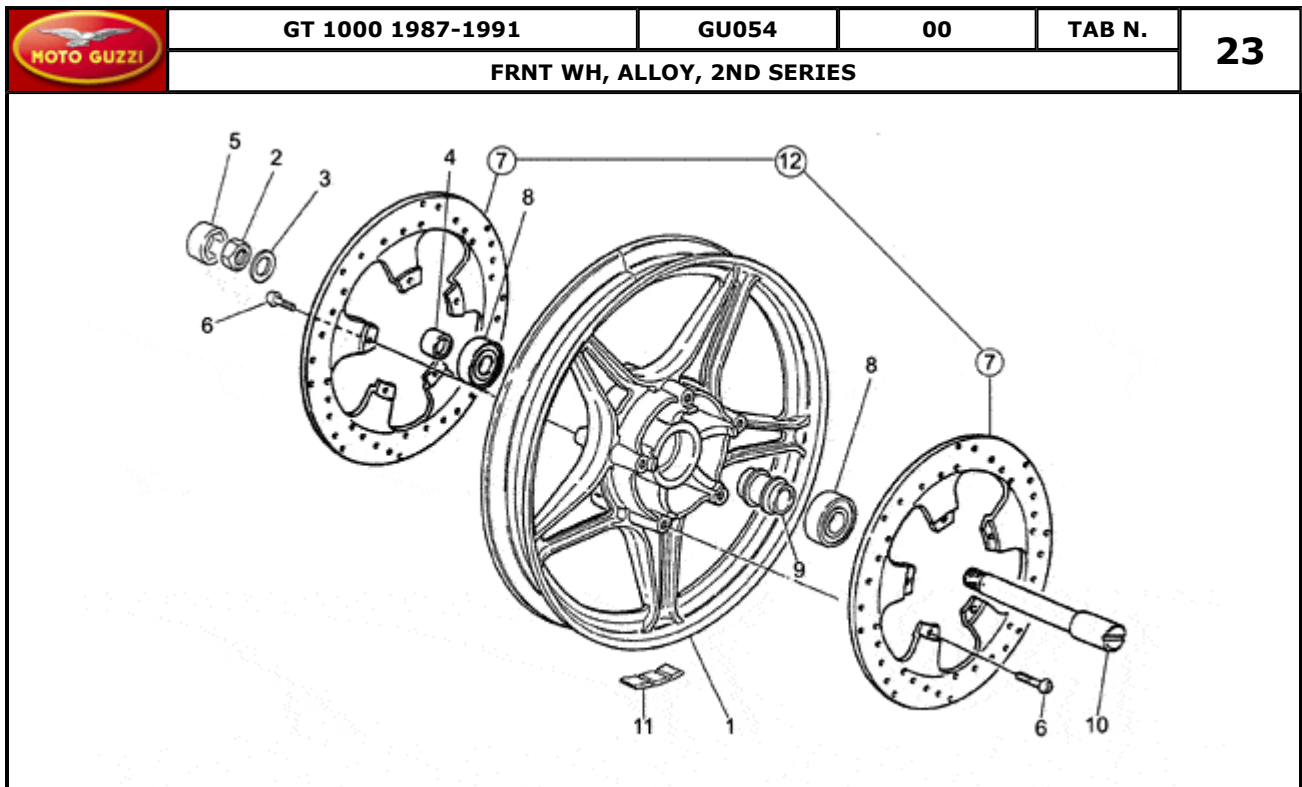


| Pos. | Description | Year | I_M | Country | Version | Code | Q.ty | P.Cod. |
|------|-------------------------|------|-----|---------|---------|--------------|------|--------|
| 1 | Spring washer | - | - | - | - | GU95021108 | 2 | |
| 2 | Nut M8X1,25 | - | - | - | - | GU92602208 | 4 | |
| 3 | Lateral stand | - | - | - | - | GU28432010 | 1 | |
| 4 | Washer | - | - | - | - | GU95004208 | 7 | |
| 5 | Pin | - | - | - | - | GU99105129 | 1 | |
| 6 | Spring | - | - | - | - | GU17434060 | 2 | |
| 7 | Plate | - | - | - | - | GU14418200 | 1 | |
| 8 | Hex screw M8X16 | - | - | - | - | GU98054416 | 5 | |
| 9 | Central stand | - | - | - | - | GU30430310 | 1 | |
| 10 | LH plate | - | - | - | - | GU14433200 | 1 | |
| 11 | RH plate | - | - | - | - | GU14432900 | 1 | |
| 12 | Spring | - | - | - | - | GU18434060 | 2 | |
| 13 | LH bush | - | - | - | - | GU14433500 | 2 | |
| 14 | Screw | - | - | - | - | GU98052545 | 1 | |
| 15 | Washer 10,2x18x2 | - | - | - | - | GU95004210 | 2 | |
| 16 | Spring washer 19x34x1,5 | - | - | - | - | GU14433400 | 2 | |
| 17 | LH Foot rests | - | - | - | 1A | GU28441810 | 1 | |
| 18 | Nut M10X1,5 | - | - | - | - | GU92630110 | 2 | |
| 19 | RH cradle arm | - | - | - | - | GU17420350 | 1 | |
| | RH cradle arm | - | - | - | - | v GU28420334 | 1 | |
| 20 | LH cradle arm | - | - | - | - | n GU28422110 | 1 | |
| | LH cradle arm | - | - | - | - | v GU28422134 | 1 | |
| 21 | Rubber spacer | - | - | - | - | GU14423800 | 1 | |
| 22 | RH foot rest support | - | - | - | 1A | GU28443510 | 1 | |
| 23 | LH footrest support | - | - | - | 1A | GU28446010 | 1 | |
| 24 | Front RH footrest | - | - | - | 1A | GU28440710 | 1 | |
| 25 | Rubber pedal | - | - | - | 1A | GU28443201 | 2 | |
| 26 | Nut M6x1 | - | - | - | 1A | GU92630206 | 4 | |
| 27 | Screw | - | - | - | 1A | GU28442200 | 4 | |
| 28 | Rear footrest | - | - | - | 1A | GU28442310 | 2 | |
| 29 | Plate | - | - | - | - | GU17444250 | 2 | |
| 30 | Screw | - | - | - | - | GU98823635 | 2 | |
| 31 | Rubber pedal | - | - | - | - | GU13432640 | 1 | |

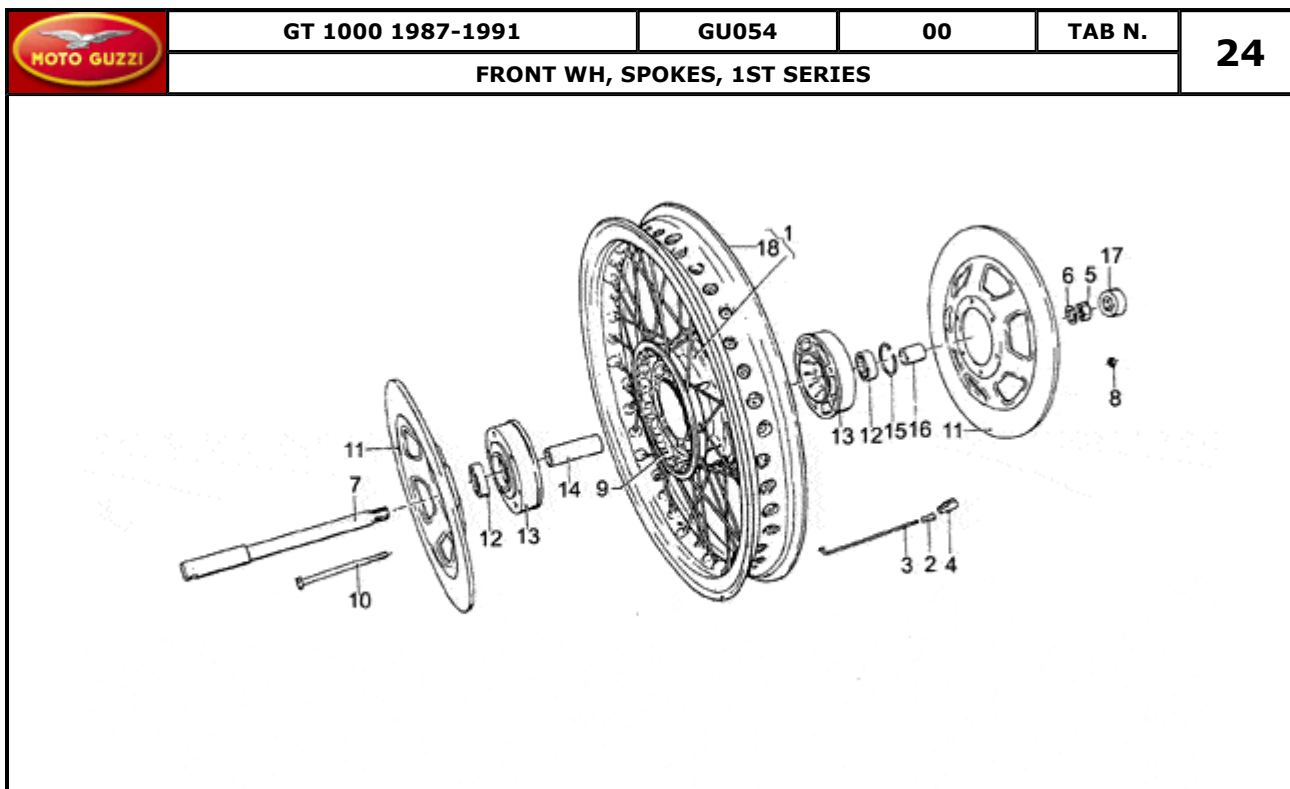
| | | | | | | | | |
|----|------------------|---|---|---|----|---|------------|---|
| 32 | Low nut M12x1,25 | - | - | - | - | - | GU92602512 | 2 |
| 33 | Nut | - | - | - | - | - | GU92602312 | 6 |
| 34 | Notched washer | - | - | - | - | - | GU95021112 | 4 |
| 35 | Pin | - | - | - | - | - | GU14429500 | 1 |
| 36 | Screw | - | - | - | - | - | GU14429600 | 1 |
| 37 | LH outer spacer | - | - | - | - | - | GU14429900 | 2 |
| 38 | Spacer | - | - | - | - | - | GU14429800 | 2 |
| 39 | Washer | - | - | - | - | - | GU95000213 | 4 |
| 40 | Screw M12X40 | - | - | - | - | - | GU98623640 | 2 |
| 42 | Nut | - | - | - | - | - | GU92630108 | 1 |
| 43 | Screw | - | - | - | - | - | GU98052555 | 1 |
| 44 | Plate | - | - | - | - | - | GU28432760 | 1 |
| 45 | RH craddle arm | - | - | - | - | r | GU28420333 | 1 |
| 46 | LH craddle arm | - | - | - | - | r | GU28422133 | 1 |
| 47 | RH footrest | - | - | - | 2A | - | GU17443660 | 1 |
| 48 | LH footrest | - | - | - | 2A | - | GU17446060 | 1 |
| 49 | Footrest rubber | - | - | - | 2A | - | GU14443200 | 4 |
| 50 | Nut | - | - | - | 2A | - | GU92601206 | 2 |
| 51 | Screw | - | - | - | 2A | - | GU98052325 | 3 |
| 52 | Rear footrest | - | - | - | 2A | - | GU14441350 | 2 |



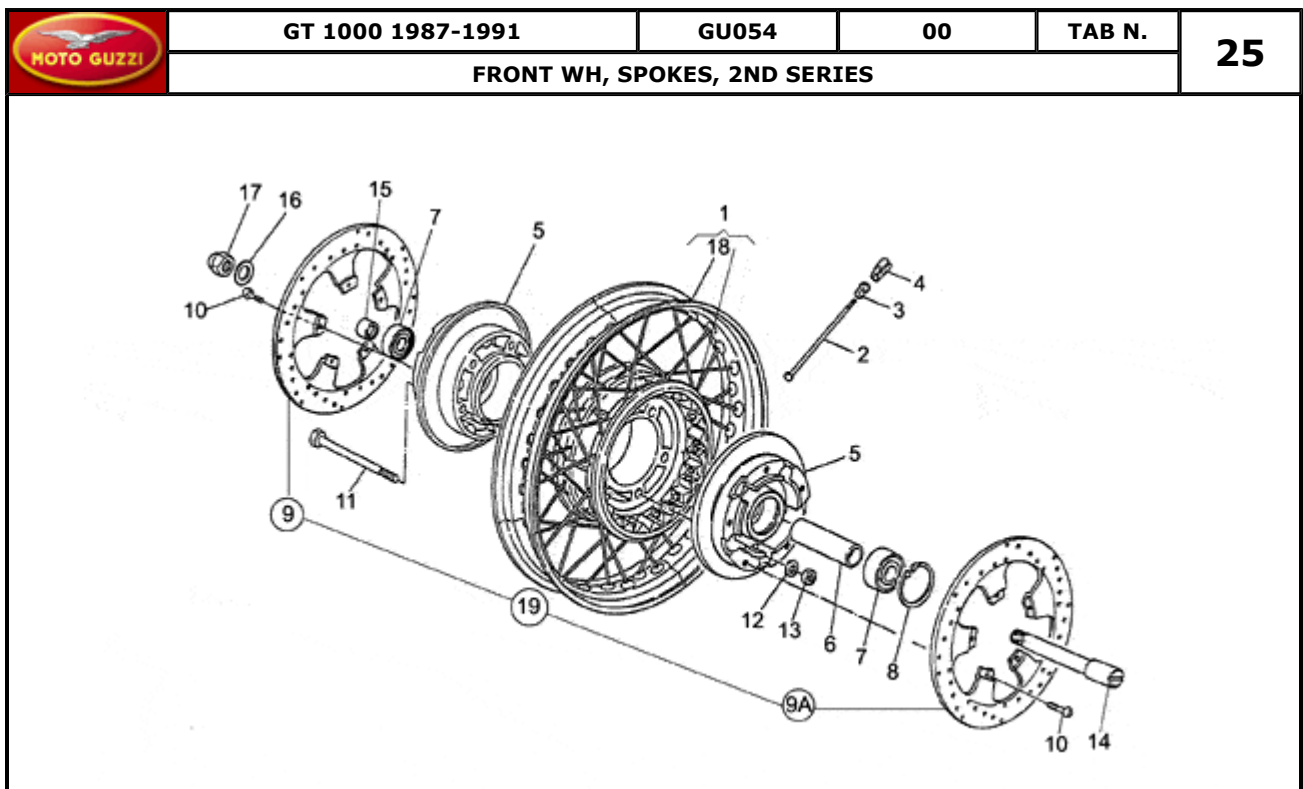
| Pos. | Description | Year | I_M_ | Country | Version | Code | Q.ty | P.Cod. |
|------|-------------------------|------|------|---------|---------|------------|------|--------|
| 1 | Front wheel | - | - | - | - | GU17610360 | 1 | |
| 2 | Nut M16X1,5 | - | - | - | - | GU92602516 | 1 | |
| 3 | Washer 17X27X2 | - | - | - | - | GU95004217 | 1 | |
| 4 | Spacer | - | - | - | - | GU17616360 | 1 | |
| 5 | Nut | - | - | - | - | GU92630508 | 6 | |
| 6 | Screw | - | - | - | - | GU98052499 | 6 | |
| 7 | Front brake disc | - | - | - | - | GU28613345 | 2 | |
| 8 | Bearing | - | - | - | - | GU92204221 | 2 | |
| 9 | Bearing internal spacer | - | - | - | - | GU17615360 | 1 | |
| 10 | Front wheel spindle | - | - | - | - | GU17614160 | 1 | |
| 11 | Counterweight | - | - | - | - | GU14616150 | 1 | |
| 12 | Plug | - | - | - | - | GU62616800 | 1 | |



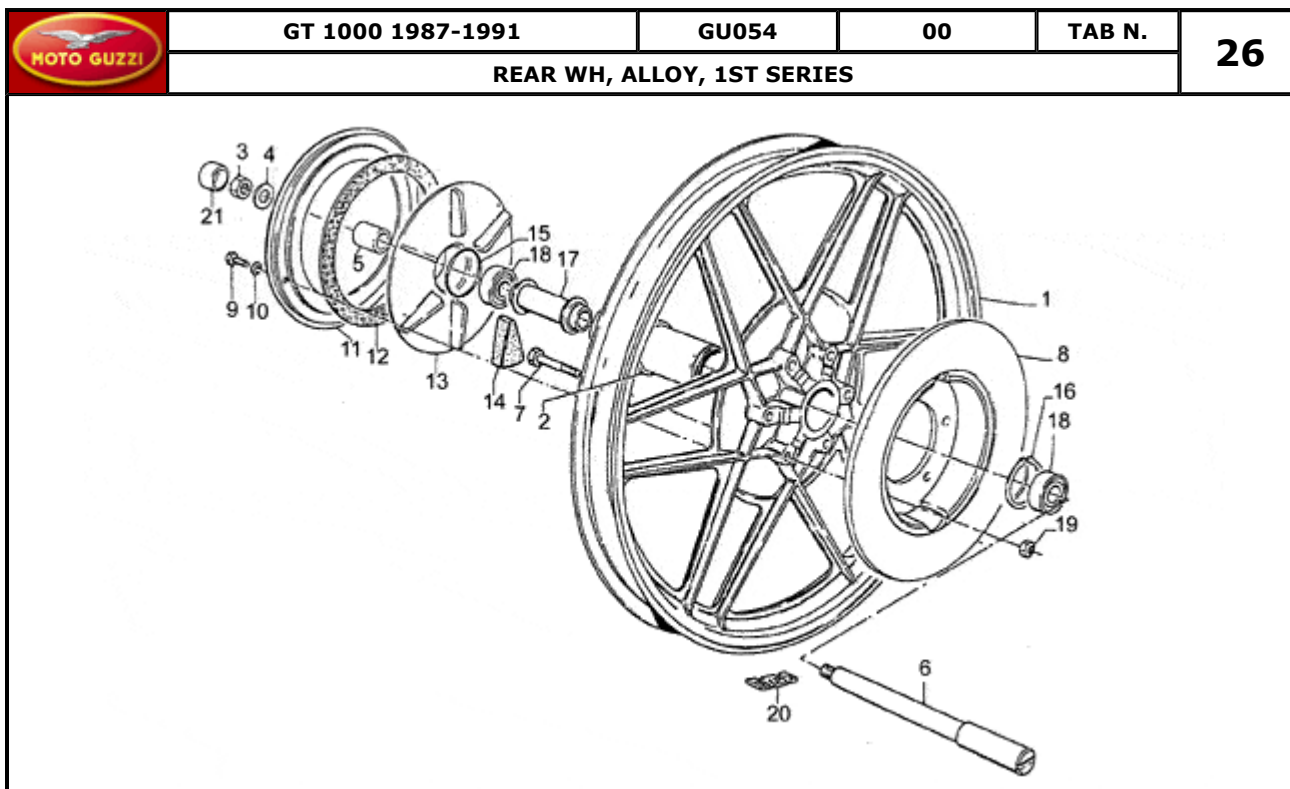
| Pos. | Description | Year | I_M | Country | Version | Code | Q.ty | P.Cod. |
|------|-------------------------|------|-----|---------|---------|------------|------|--------|
| 1 | Front wheel, grey | - | - | - | - | GU28610334 | 1 | |
| 2 | Nut M16X1,5 | - | - | - | - | GU92602516 | 1 | |
| 3 | Washer 17X27X2 | - | - | - | - | GU95004217 | 1 | |
| 4 | Spacer | - | - | - | - | GU17616360 | 1 | |
| 5 | Plug | - | - | - | - | GU62616800 | 1 | |
| 6 | Screw | - | - | - | - | GU98230825 | 10 | |
| 7 | RH front brake disc | - | - | - | 29195C | GU28613348 | 2 | |
| | LH front brake disc | - | - | - | 29195C | GU28613347 | 2 | |
| 8 | Bearing | - | - | - | - | GU92204221 | 2 | |
| 9 | Bearing internal spacer | - | - | - | - | GU17615360 | 1 | |
| 10 | Front wheel spindle | - | - | - | - | GU17614160 | 1 | |
| 11 | Counterweight | - | - | - | - | GU14616150 | 1 | |
| 12 | Front brake disks-pair | - | - | - | 29195C | GU28999248 | 1 | |



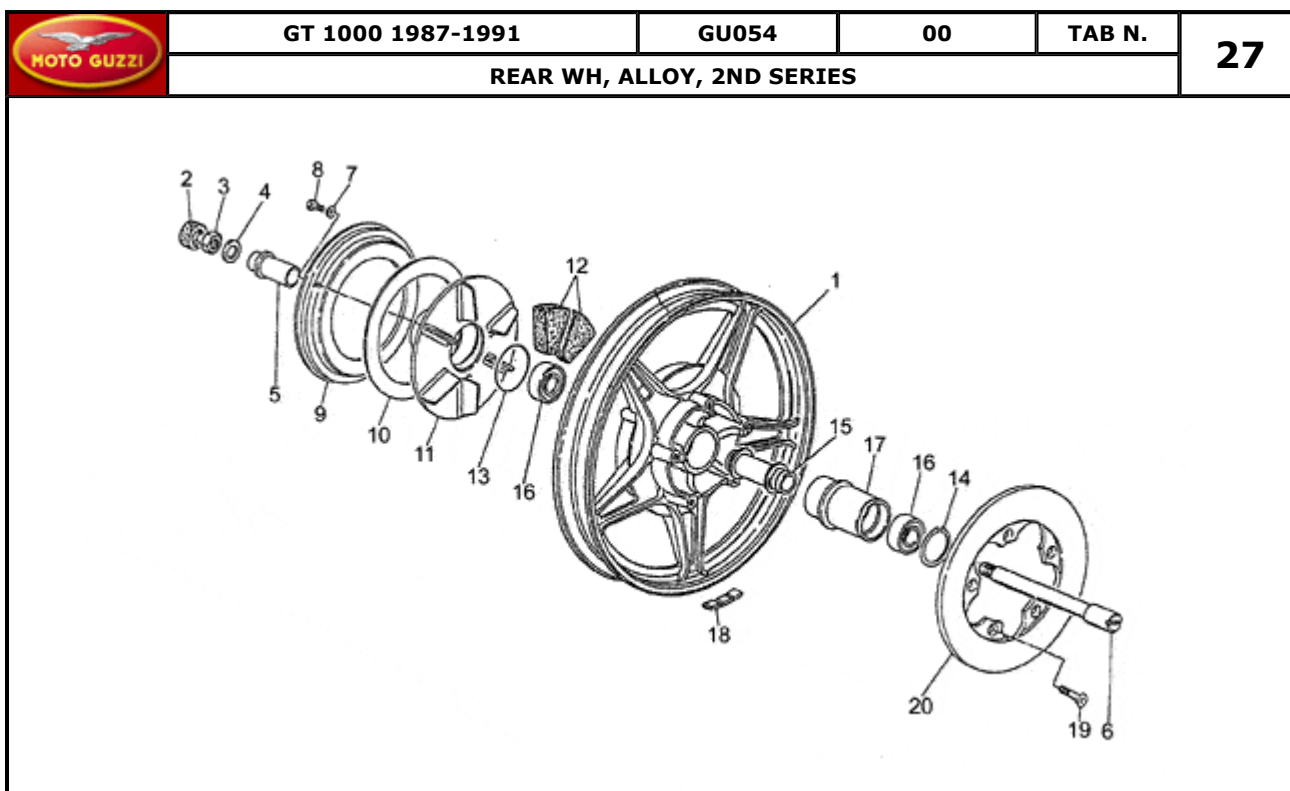
| Pos. | Description | Year | I_M_ | Country | Version | Code | Q.ty | P.Cod. |
|------|-----------------------|------|------|---------|---------|------------|------|--------|
| 1 | Front wheel | - | - | - | - | GU14610371 | 1 | |
| 2 | Nipple | - | - | - | - | GU28611733 | 40 | |
| 3 | Long spoke | - | - | - | - | GU28611633 | 40 | |
| 4 | Counterweight 15 gr. | - | - | - | - | GU12616101 | 1 | |
| | Counterweight 20 gr. | - | - | - | - | GU12616102 | 1 | |
| | Counterweight 30 gr. | - | - | - | - | GU12616103 | 1 | |
| 5 | Nut M16X1,5 | - | - | - | - | GU92602516 | 1 | |
| 6 | Washer 17X27X2 | - | - | - | - | GU95004217 | 1 | |
| 7 | Pin | - | - | - | - | GU28614133 | 1 | |
| 8 | Nut | - | - | - | - | GU92630508 | 6 | |
| 9 | Hub | - | - | - | - | GU14613201 | 1 | |
| 10 | Screw | - | - | - | - | GU17611450 | 6 | |
| 11 | Front brake disc | - | - | - | - | GU28613345 | 2 | |
| 12 | Ball bearing 20X47X14 | - | - | - | - | GU92204220 | 2 | |
| 13 | Flange | - | - | - | - | GU14620302 | 2 | |
| 14 | Spacer | - | - | - | - | GU14615201 | 1 | |
| 15 | Circlip 47X50,5 | - | - | - | - | GU90272047 | 1 | |
| 16 | Spacer | - | - | - | - | GU14616301 | 1 | |
| 17 | Spacer | - | - | - | - | GU17616360 | 1 | |
| 18 | Front wheel | - | - | - | - | GU28610833 | 1 | |



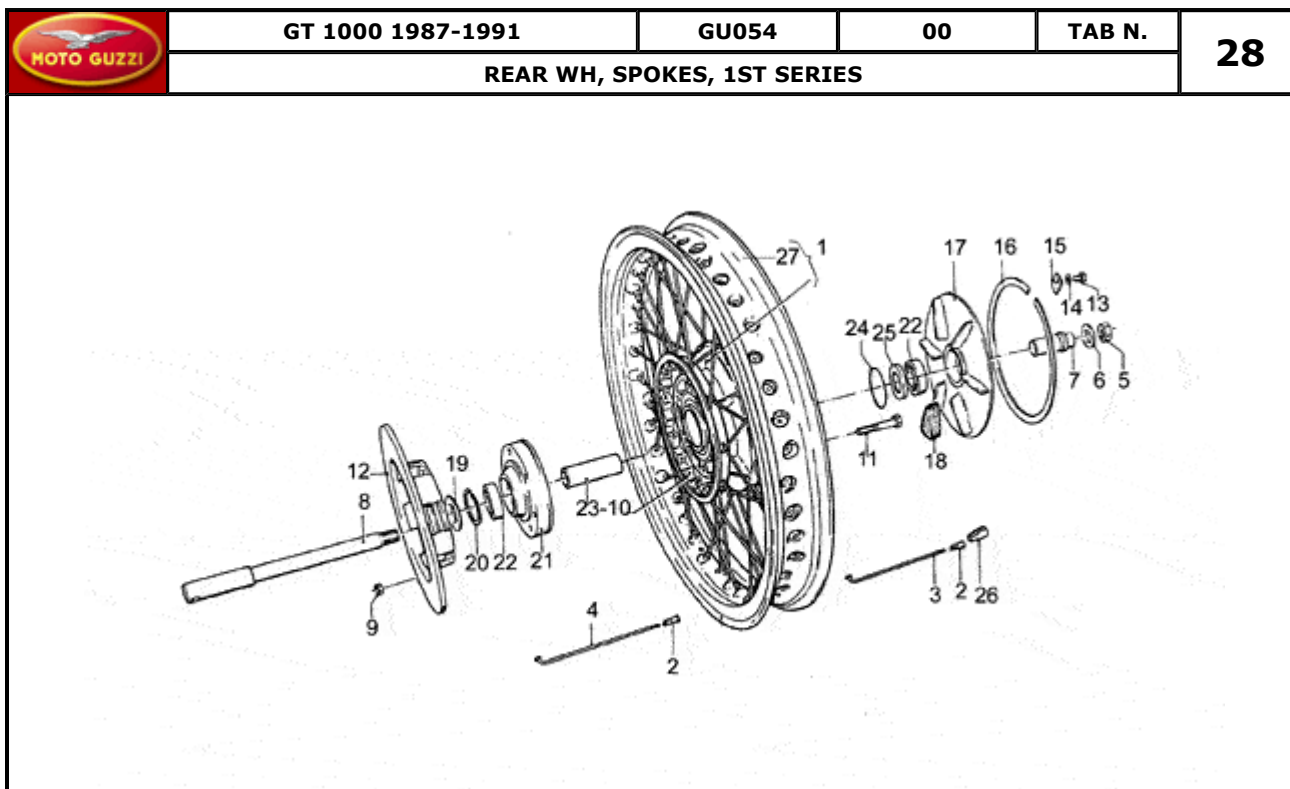
| Pos. | Description | Year | I_M | Country | Version | Code | Q.ty | P.Cod. |
|------|------------------------|------|-----|---------|---------|------------|------|--------|
| 1 | Front wheel | - | - | - | - | GU14610371 | 1 | |
| 2 | Long spoke | - | - | - | - | GU28611633 | 40 | |
| 3 | Nipple | - | - | - | - | GU28611733 | 40 | |
| 4 | Counterweight 15 gr. | - | - | - | - | GU12616101 | 1 | |
| | Counterweight 20 gr. | - | - | - | - | GU12616102 | 1 | |
| | Counterweight 30 gr. | - | - | - | - | GU12616103 | 1 | |
| 5 | Flange | - | - | - | - | GU29620360 | 2 | |
| 6 | Spacer | - | - | - | - | GU29615260 | 1 | |
| 7 | Ball bearing 20X47X14 | - | - | - | - | GU92204220 | 2 | |
| 8 | Circlip 47X50,5 | - | - | - | - | GU90272047 | 1 | |
| 9 | RH front brake disc | - | - | - | - | GU28613348 | 2 | |
| | LH front brake disc | - | - | - | - | GU28613347 | 2 | |
| 10 | Screw | - | - | - | - | GU98230825 | 10 | |
| 11 | Screw | - | - | - | - | GU98052480 | 5 | |
| 12 | Washer 8,4X13X0,8 | - | - | - | - | GU14615901 | 5 | |
| 13 | Nut | - | - | - | - | GU92630508 | 5 | |
| 14 | Front wheel spindle | - | - | - | - | GU29614160 | 1 | |
| 15 | Spacer | - | - | - | - | GU29615660 | 1 | |
| 16 | Washer 17X27X2 | - | - | - | - | GU95004217 | 1 | |
| 17 | Nut | - | - | - | - | GU29616450 | 1 | |
| 18 | Front wheel | - | - | - | - | GU28610833 | 1 | |
| 19 | Front brake disks-pair | - | - | - | - | GU28999248 | 1 | |




| Pos. | Description | Year | I_M_ | Country | Version | Code | Q.ty | P.Cod. |
|------|-------------------------|------|------|---------|---------|------------|------|--------|
| 1 | Rear wheel | - | - | - | - | GU14630650 | 1 | |
| 2 | Hub | - | - | - | - | GU14632250 | 1 | |
| 3 | Nut M6X1,5 | - | - | - | - | GU92602316 | 1 | |
| 4 | Washer | - | - | - | - | GU14634400 | 1 | |
| 5 | Spacer | - | - | - | - | GU17634150 | 1 | |
| 6 | Pin | - | - | - | - | GU17633360 | 1 | |
| 7 | Screw | - | - | - | - | GU98052450 | 6 | |
| 8 | Rear brake disc | - | - | - | - | GU18635760 | 1 | |
| 9 | Hex screw M6X20 | - | - | - | - | GU98054320 | 3 | |
| 10 | Notched washer | - | - | - | - | GU95021106 | 3 | |
| 11 | Flange | - | - | - | - | GU14335650 | 1 | |
| 12 | Ring | - | - | - | - | GU14335350 | 1 | |
| 13 | Flexible coupling disc | - | - | - | - | GU14335203 | 1 | |
| 14 | Rubber cush drive hub | - | - | - | - | GU01336800 | 12 | |
| 15 | O-ring | - | - | - | - | GU90706490 | 1 | |
| 16 | Circlip | - | - | - | - | GU90271055 | 1 | |
| 17 | Bearing internal spacer | - | - | - | - | GU14634050 | 1 | |
| 18 | Ball bearing 20X47X14 | - | - | - | - | GU92204220 | 2 | |
| 19 | Nut | - | - | - | - | GU92630508 | 6 | |
| 20 | Counterweight | - | - | - | - | GU14616150 | 1 | |
| 21 | Plug | - | - | - | - | GU62616800 | 1 | |

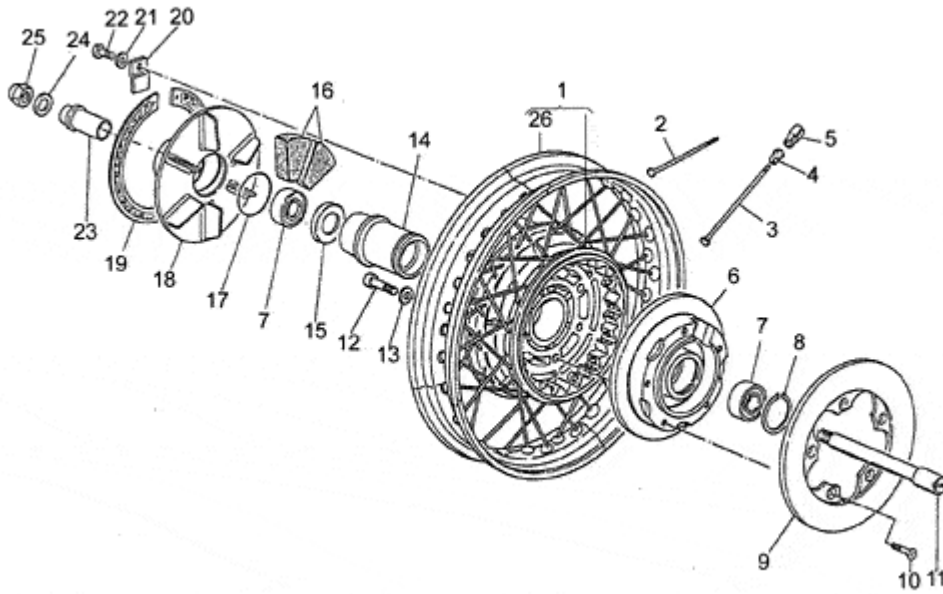


| Pos. | Description | Year | I_M | Country | Version | Code | Q.ty | P.Cod. |
|------|-------------------------|------|-----|---------|---------|------------|------|--------|
| 1 | Rear wheel | - | - | - | - | GU28630642 | 1 | |
| 2 | Plug | - | - | - | - | GU62616800 | 1 | |
| 3 | Nut M6X1,5 | - | - | - | - | GU92602316 | 1 | |
| 4 | Washer | - | - | - | - | GU14634400 | 1 | |
| 5 | Spacer | - | - | - | - | GU17634150 | 1 | |
| 6 | Rear wheel spindle | - | - | - | - | GU28633300 | 1 | |
| 7 | Spring washer 8x15x0,3 | - | - | - | - | GU61270300 | 3 | |
| 8 | Hex screw M6X20 | - | - | - | - | GU98054320 | 3 | |
| 9 | Flange | - | - | - | - | GU14335650 | 1 | |
| 10 | Ring | - | - | - | - | GU14335350 | 1 | |
| 11 | Flexible coupling disc | - | - | - | - | GU14335203 | 1 | |
| 12 | Rubber cush drive hub | - | - | - | - | GU01336800 | 12 | |
| 13 | O-ring | - | - | - | - | GU90706490 | 1 | |
| 14 | Circlip | - | - | - | - | GU90271055 | 1 | |
| 15 | Bearing internal spacer | - | - | - | - | GU14634050 | 1 | |
| 16 | Ball bearing 20X47X14 | - | - | - | - | GU92204220 | 2 | |
| 17 | Hub | - | - | - | - | GU14632250 | 1 | |
| 18 | Counterweight | - | - | - | - | GU14616150 | 2 | |
| 19 | Screw | - | - | - | - | GU98250825 | 5 | |
| 20 | Brake disc | - | - | - | - | GU28635734 | 1 | |

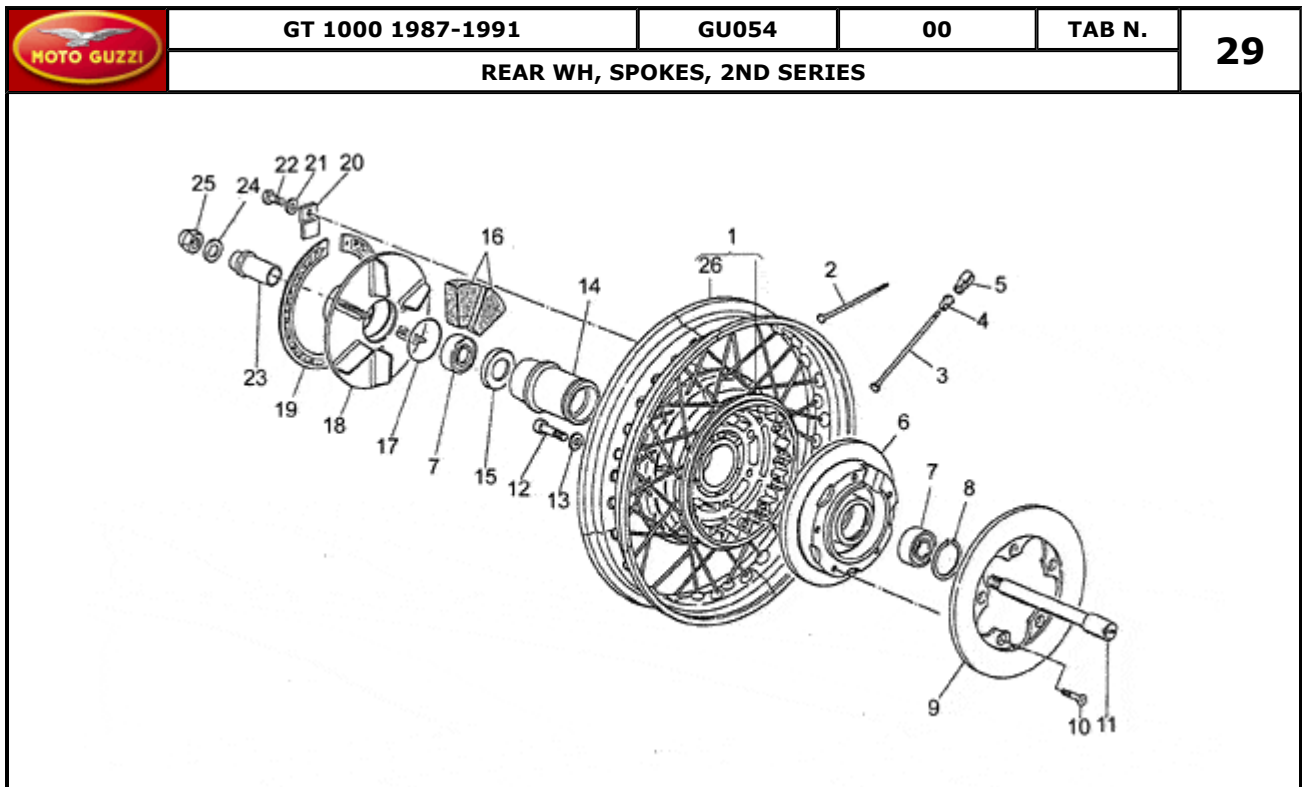


| Pos. | Description | Year | I_M_ | Country | Version | Code | Q.ty | P.Cod. |
|------|------------------------|------|------|---------|---------|------------|------|--------|
| 1 | Rear wheel(complete) | - | - | - | - | GU28630633 | 1 | |
| 2 | Nipple | - | - | - | - | GU28611733 | 40 | |
| 3 | Short spoke | - | - | - | - | GU28631133 | 20 | |
| 4 | Long spoke | - | - | - | - | GU28611633 | 20 | |
| 5 | Nut M6X1,5 | - | - | - | - | GU92602316 | 1 | |
| 6 | Washer | - | - | - | - | GU14634400 | 1 | |
| 7 | Spacer | - | - | - | - | GU17634150 | 1 | |
| 8 | Pin | - | - | - | - | GU17633360 | 1 | |
| 9 | Nut | - | - | - | - | GU92630508 | 6 | |
| 10 | Rear hub | - | - | - | - | GU17633050 | 1 | |
| 11 | Screw | - | - | - | - | GU98052445 | 6 | |
| 12 | Rear brake disc | - | - | - | - | GU18635760 | 1 | |
| 13 | Screw | - | - | - | - | GU98054312 | 1 | |
| 14 | Notched washer | - | - | - | - | GU95021106 | 1 | |
| 15 | Plate | - | - | - | - | GU17335950 | 1 | |
| 16 | Snap ring | - | - | - | - | GU14335303 | 1 | |
| 17 | Flexible coupling disc | - | - | - | - | GU14335203 | 1 | |
| 18 | Rubber cush drive hub | - | - | - | - | GU01336800 | 12 | |
| 19 | Spacer | - | - | - | - | GU28636033 | 1 | |
| 20 | Circlip 47X50,5 | - | - | - | - | GU90272047 | 1 | |
| 21 | Flange | - | - | - | - | GU14620301 | 1 | |
| 22 | Ball bearing 20X47X14 | - | - | - | - | GU92204220 | 2 | |
| 23 | Spacer | - | - | - | - | GU17634050 | 1 | |
| 24 | O-ring | - | - | - | - | GU90706490 | 1 | |
| 25 | Cup | - | - | - | - | GU17633550 | 1 | |
| 26 | Counterweight 15 gr. | - | - | - | - | GU12616101 | 1 | |
| | Counterweight 20 gr. | - | - | - | - | GU12616102 | 1 | |
| | Counterweight 30 gr. | - | - | - | - | GU12616103 | 1 | |
| 27 | Rear wheel | - | - | - | - | GU28630733 | 1 | |

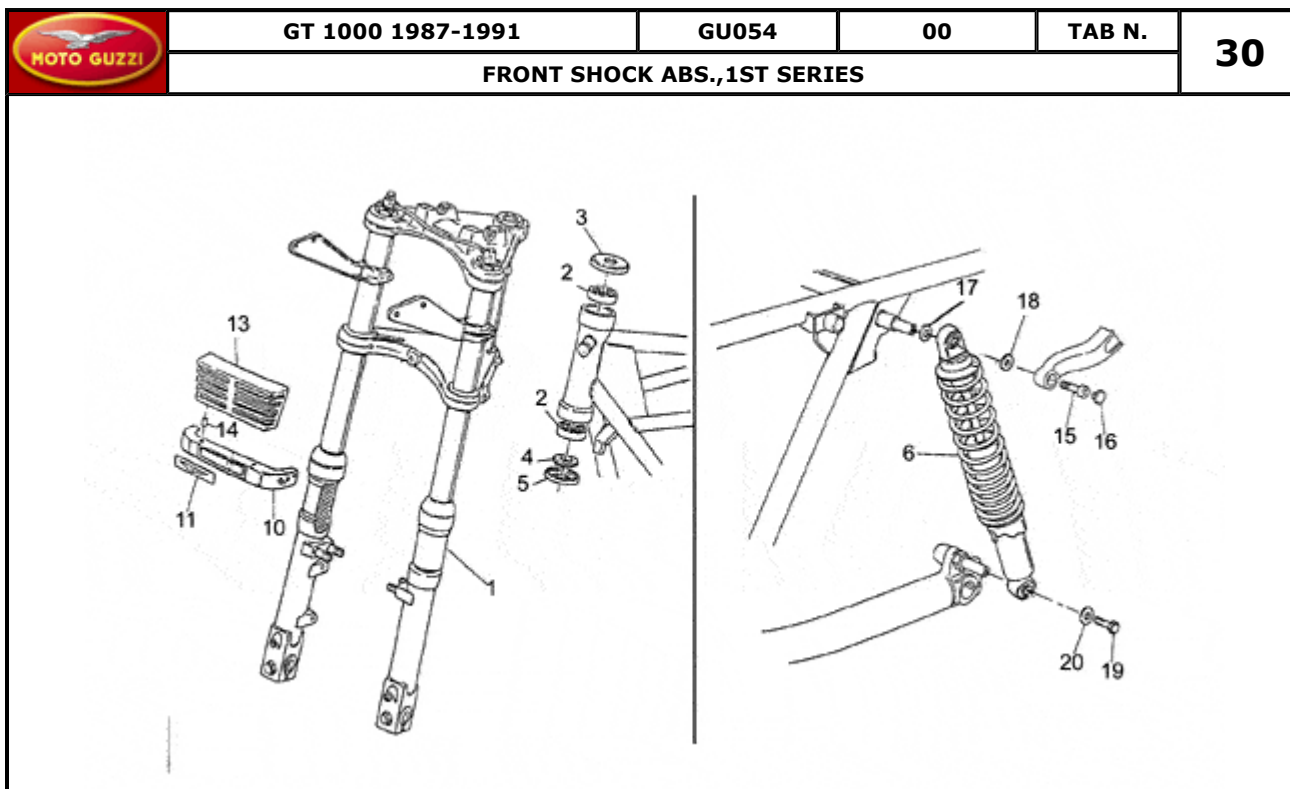
| | | | | | |
|-----------------------------------------------------------------------------------|-----------------------------|-------|----|--------|-----------|
|  | GT 1000 1987-1991 | GU054 | 00 | TAB N. | 29 |
| | REAR WH, SPOKES, 2ND SERIES | | | | |



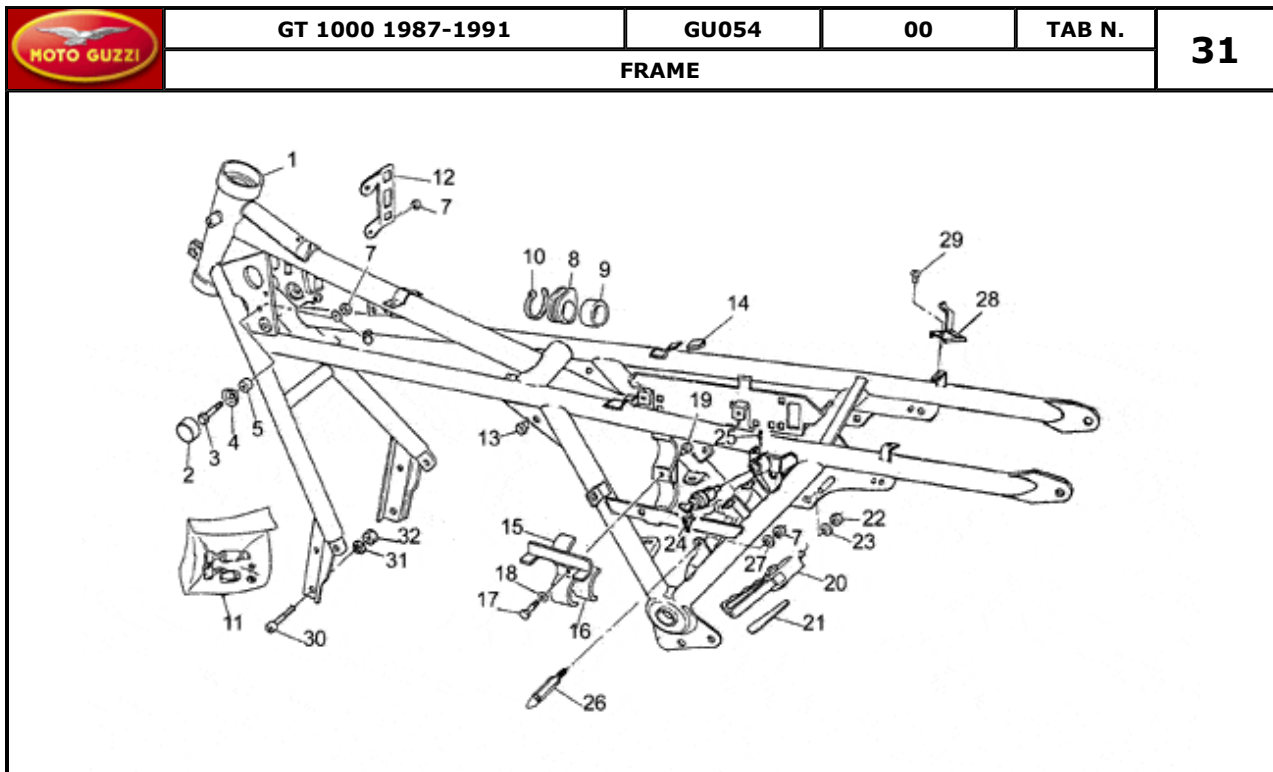
| Pos. | Description | Year | I_M_ | Country | Version | Code | Q.ty | P.Cod. |
|------|------------------------|------|------|---------|---------|------------|------|--------|
| 1 | Rear wheel(complete) | - | - | - | - | GU28630633 | 1 | |
| 2 | Short spoke | - | - | - | - | GU28631133 | 20 | |
| 3 | Long spoke | - | - | - | - | GU28611633 | 20 | |
| 4 | Nipple | - | - | - | - | GU28611733 | 40 | |
| 5 | Counterweight 15 gr. | - | - | - | - | GU12616101 | 1 | |
| | Counterweight 20 gr. | - | - | - | - | GU12616102 | 1 | |
| | Counterweight 30 gr. | - | - | - | - | GU12616103 | 1 | |
| 6 | Disk holder flange | - | - | - | - | GU29632460 | 1 | |
| 7 | Ball bearing 20X47X14 | - | - | - | - | GU92204220 | 2 | |
| 8 | Circlip 47X50,5 | - | - | - | - | GU90272047 | 1 | |
| 9 | Brake disc | - | - | - | - | GU28635734 | 1 | |
| 10 | Screw | - | - | - | - | GU98250825 | 5 | |
| 11 | Rear wheel spindle | - | - | - | - | GU28633300 | 1 | |
| 12 | Screw M8X30 | - | - | - | - | GU98622430 | 6 | |
| 13 | Washer 8,4X13X0,8 | - | - | - | - | GU14615901 | 6 | |
| 14 | Spacer | - | - | - | - | GU14634051 | 1 | |
| 15 | Cup | - | - | - | - | GU17633550 | 1 | |
| 16 | Rubber cush drive hub | - | - | - | - | GU01336800 | 12 | |
| 17 | O-ring | - | - | - | - | GU90706490 | 1 | |
| 18 | Flexible coupling disc | - | - | - | - | GU14335203 | 1 | |
| 19 | Snap ring | - | - | - | - | GU14335303 | 1 | |
| 20 | Plate | - | - | - | - | GU17335950 | 1 | |
| 21 | Notched washer | - | - | - | - | GU95021106 | 1 | |
| 22 | Screw | - | - | - | - | GU98054312 | 1 | |
| 23 | Spacer | - | - | - | - | GU17634150 | 1 | |
| 24 | Washer | - | - | - | - | GU14634400 | 1 | |
| 25 | Nut | - | - | - | - | GU29616450 | 1 | |
| 26 | Rear wheel | - | - | - | - | GU28630733 | 1 | |



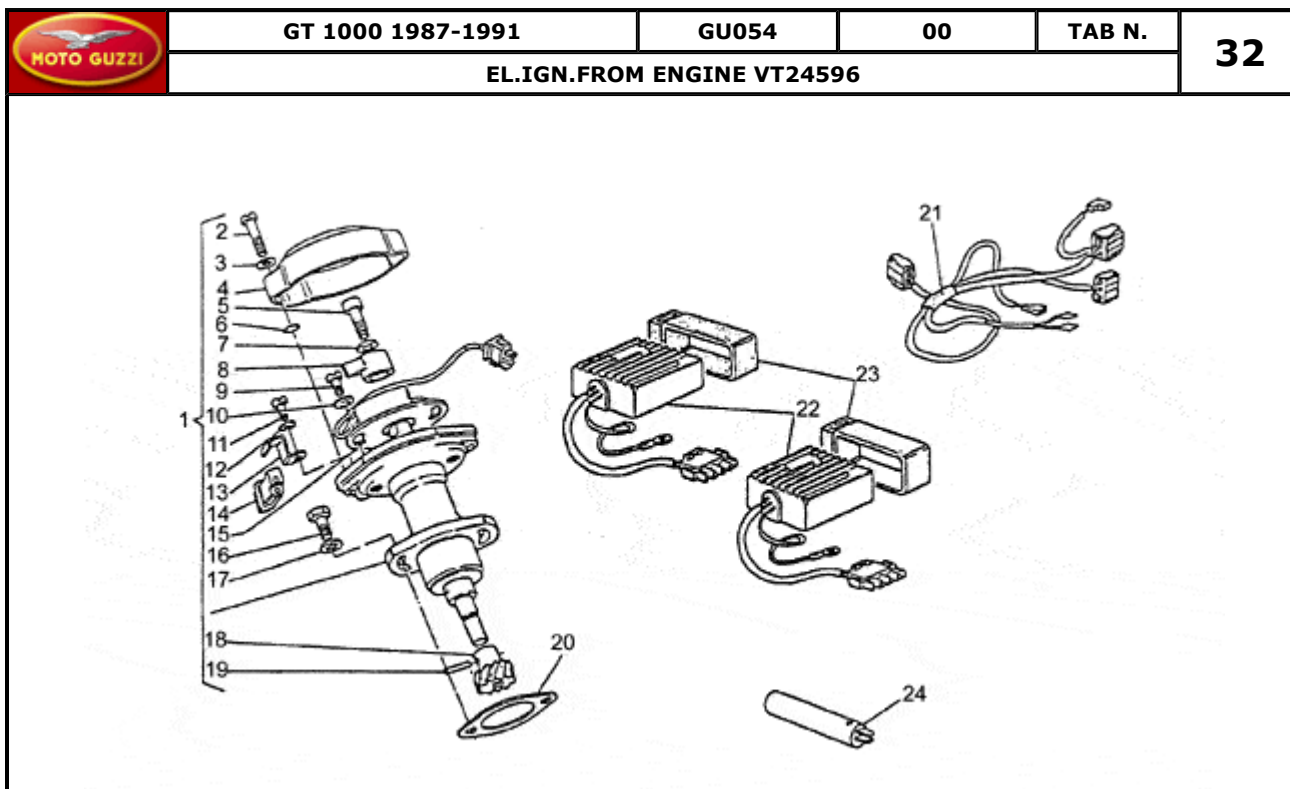
| Pos. | Description | Year | I_M_ | Country | Version | Code | Q.ty | P.Cod. |
|------|------------------------|------|------|---------|---------|------------|------|--------|
| 1 | Rear wheel(complete) | - | - | - | - | GU28630633 | 1 | |
| 2 | Short spoke | - | - | - | - | GU28631133 | 20 | |
| 3 | Long spoke | - | - | - | - | GU28611633 | 20 | |
| 4 | Nipple | - | - | - | - | GU28611733 | 40 | |
| 5 | Counterweight 15 gr. | - | - | - | - | GU12616101 | 1 | |
| | Counterweight 20 gr. | - | - | - | - | GU12616102 | 1 | |
| | Counterweight 30 gr. | - | - | - | - | GU12616103 | 1 | |
| 6 | Disk holder flange | - | - | - | - | GU29632460 | 1 | |
| 7 | Ball bearing 20X47X14 | - | - | - | - | GU92204220 | 2 | |
| 8 | Circlip 47X50,5 | - | - | - | - | GU90272047 | 1 | |
| 9 | Brake disc | - | - | - | - | GU28635734 | 1 | |
| 10 | Screw | - | - | - | - | GU98250825 | 5 | |
| 11 | Rear wheel spindle | - | - | - | - | GU28633300 | 1 | |
| 12 | Screw M8X30 | - | - | - | - | GU98622430 | 6 | |
| 13 | Washer 8,4X13X0,8 | - | - | - | - | GU14615901 | 6 | |
| 14 | Spacer | - | - | - | - | GU14634051 | 1 | |
| 15 | Cup | - | - | - | - | GU17633550 | 1 | |
| 16 | Rubber cush drive hub | - | - | - | - | GU01336800 | 12 | |
| 17 | O-ring | - | - | - | - | GU90706490 | 1 | |
| 18 | Flexible coupling disc | - | - | - | - | GU14335203 | 1 | |
| 19 | Snap ring | - | - | - | - | GU14335303 | 1 | |
| 20 | Plate | - | - | - | - | GU17335950 | 1 | |
| 21 | Notched washer | - | - | - | - | GU95021106 | 1 | |
| 22 | Screw | - | - | - | - | GU98054312 | 1 | |
| 23 | Spacer | - | - | - | - | GU17634150 | 1 | |
| 24 | Washer | - | - | - | - | GU14634400 | 1 | |
| 25 | Nut | - | - | - | - | GU29616450 | 1 | |
| 26 | Rear wheel | - | - | - | - | GU28630733 | 1 | |



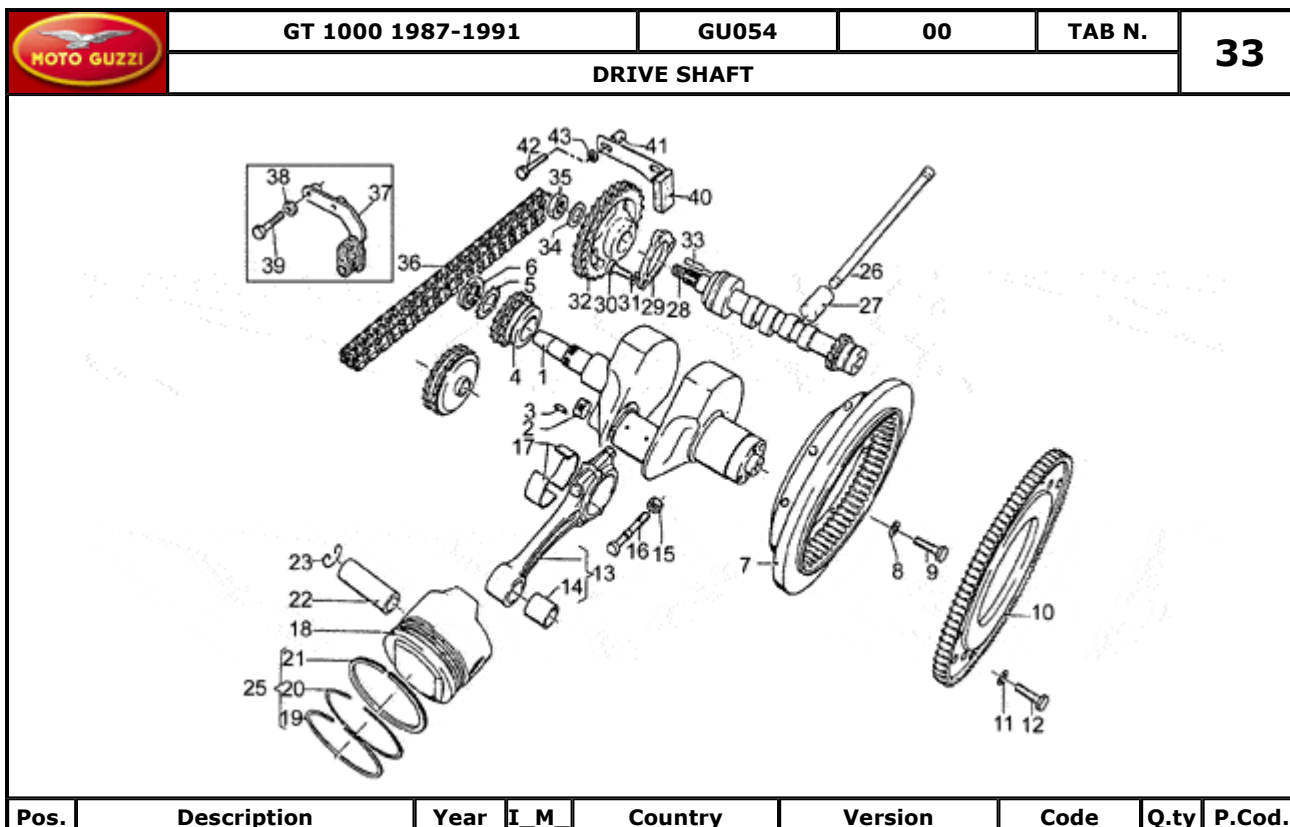
| Pos. | Description | Year | I_M_ | Country | Version | Code | Q.ty | P.Cod. |
|------|------------------------------|------|------|---------|---------|------------|------|--------|
| 1 | Front fork | - | - | - | - | GU28490233 | 1 | |
| 2 | Tap.roller bearing | - | - | - | - | GU92249225 | 2 | |
| 3 | Cup | - | - | - | - | GU14494600 | 1 | |
| 4 | Clearance washer | - | - | - | - | GU14516700 | 1 | |
| 5 | Dust cover | - | - | - | - | GU14517000 | 1 | |
| 6 | Rear shock absorber | - | - | - | - | GU28550240 | 2 | |
| 10 | Guard | - | - | - | - | GU29751350 | 1 | |
| 11 | Trademark sticker | - | - | - | - | GU28769533 | 1 | |
| 13 | Turn indicator support grill | - | - | - | - | GU23505810 | 1 | |
| 14 | Pin | - | - | - | - | GU23922210 | 2 | |
| 15 | Screw | - | - | - | - | GU98822425 | 2 | |
| 16 | Rubber spacer | - | - | - | - | GU93180206 | 2 | |
| 17 | Washer | - | - | - | - | GU95100535 | 4 | |
| 18 | Washer | - | - | - | - | GU95000208 | 2 | |
| 19 | Screw | - | - | - | - | GU98074416 | 2 | |
| 20 | Washer | - | - | - | - | GU95100239 | 2 | |



| Pos. | Description | Year | I_M | Country | Version | Code | Q.ty | P.Cod. |
|------|-----------------------|------|-----|---------|---------|------------|------|--------|
| 1 | Frame | - | - | - | r | GU28400134 | 1 | |
| | Frame | - | - | - | v | GU28400135 | 1 | |
| | Frame | - | - | - | n | GU28400133 | 1 | |
| 2 | Drift | - | - | - | - | GU39103400 | 2 | |
| 3 | Screw | - | - | - | - | GU98054325 | 2 | |
| 4 | Disc | - | - | - | - | GU39103500 | 2 | |
| 5 | Spacer | - | - | - | - | GU91180612 | 2 | |
| 6 | Washer 6,15x11x0,8 | - | - | - | - | GU95004206 | 2 | |
| 7 | Nut M6x1 | - | - | - | - | GU92630106 | 6 | |
| 8 | Rubber spacer | - | - | - | - | GU14109000 | 2 | |
| 9 | Drift | - | - | - | - | GU28109040 | 2 | |
| 10 | Hose clamp 3,6x20,6 | - | - | - | - | GU14609650 | 4 | |
| 11 | Steering lock | - | - | - | - | GU28782550 | 1 | |
| 12 | RH conn. fixing plate | - | - | - | - | GU28749733 | 1 | |
| 13 | Plug | - | - | - | - | GU93180080 | 4 | |
| 14 | Rubber spacer | - | - | - | - | GU29461450 | 2 | |
| 15 | Plate | - | - | - | - | GU30716710 | 1 | |
| 16 | Drift | - | - | - | - | GU29716650 | 2 | |
| 17 | Screw | - | - | - | - | GU98054318 | 1 | |
| 18 | Special washer | - | - | - | - | GU61013800 | 1 | |
| 19 | Drift | - | - | - | - | GU19705900 | 3 | |
| 20 | Handle | - | - | - | - | GU30464310 | 1 | |
| 21 | Transfer | - | - | - | - | GU30920810 | 2 | |
| 22 | Nut | - | - | - | - | GU92630108 | 1 | |
| 23 | Washer | - | - | - | - | GU95004208 | 1 | |
| 24 | Saddle lock | - | - | - | - | GU28468700 | 1 | |
| 25 | Threaded pin | - | - | - | - | GU35782880 | 1 | |
| 26 | Stud bolt | - | - | - | - | GU28478550 | 1 | |
| 27 | Washer | - | - | - | - | GU95000206 | 2 | |
| 28 | U-bolt | - | - | - | - | GU28462333 | 1 | |
| 29 | Screw | - | - | - | - | GU98326010 | 2 | |
| 30 | Screw | - | - | - | - | GU98621670 | 2 | |
| 31 | Notched washer | - | - | - | - | GU95021112 | 2 | |
| 32 | Nut | - | - | - | - | GU92602312 | 2 | |

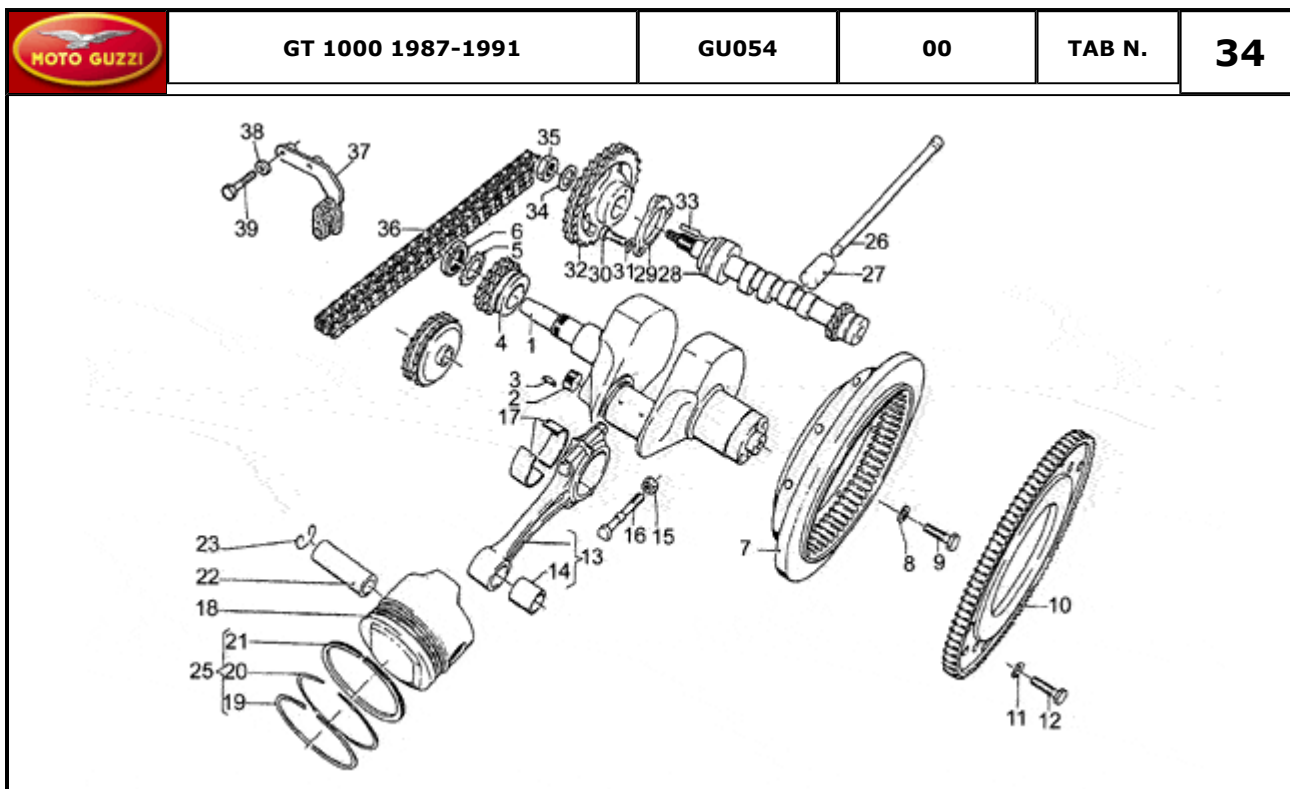


| Pos. | Description | Year | I_M | Country | Version | Code | Q.ty | P.Cod. |
|------|--------------------------|------|-----|---------|---------|------------|------|--------|
| 1 | Ignition unit cpl. | - | - | - | - | GU29715470 | 1 | |
| 2 | Screw | - | - | - | - | GU98202525 | 2 | |
| 3 | Spring washer 5,3X10X0,5 | - | - | - | - | GU95129100 | 2 | |
| 4 | Cover | - | - | - | - | GU29714870 | 1 | |
| 5 | Hex socket screw M6X16 | - | - | - | - | GU98622316 | 1 | |
| 6 | O-ring | - | - | - | - | GU90706040 | 2 | |
| 7 | Washer 6,4x10x0,7 | - | - | - | - | GU14217901 | 1 | |
| 8 | Rotor | - | - | - | - | GU29721070 | 1 | |
| 9 | Screw | - | - | - | - | GU98305012 | 2 | |
| 10 | Washer | - | - | - | - | GU95000205 | 2 | |
| 11 | Screw | - | - | - | - | GU98200410 | 1 | |
| 12 | Washer | - | - | - | - | GU95129080 | 1 | |
| 13 | Clamp | - | - | - | - | GU29712970 | 1 | |
| 14 | Fairlead | - | - | - | - | GU29710270 | 1 | |
| 15 | Phase/revolution sensor | - | - | - | - | GU29722270 | 1 | |
| 16 | Screw M8X25 | - | - | - | - | GU98054425 | 2 | |
| 17 | Washer | - | - | - | - | GU95000208 | 2 | |
| 18 | Gear | - | - | - | - | GU14716200 | 1 | |
| 19 | Pin | - | - | - | - | GU95510318 | 1 | |
| 20 | Gasket | - | - | - | - | GU12715901 | 1 | |
| 21 | H.T. wiring | - | - | - | - | GU29722170 | 1 | |
| 22 | Electronic control unit | - | - | - | - | GU30721410 | 2 | |
| 23 | Flexible support | - | - | - | - | GU27723835 | 2 | |
| 24 | Capacitor | - | - | - | - | GU27710435 | 1 | |




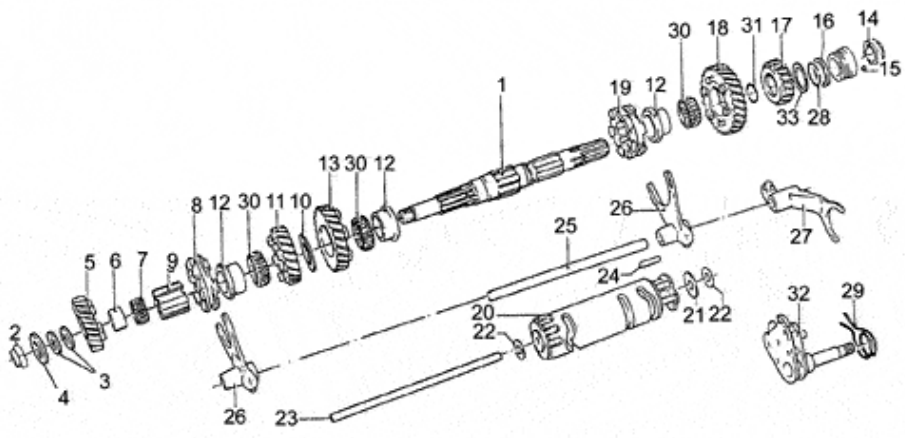
| Pos. | Description | Year | I_M | Country | Version | Code | Q.ty | P.Cod. |
|------|-----------------------------|------|-----|---------|---------|------------|------|--------|
| 1 | Drive shaft | - | - | - | - | GU18064204 | 1 | |
| 2 | Plug | - | - | - | - | GU12065400 | 1 | |
| 3 | Transmission key | - | - | - | - | GU91702355 | 1 | |
| 4 | Pinion | - | - | - | - | GU14072001 | 1 | |
| 5 | Safety washer | - | - | - | - | GU95028025 | 1 | |
| 6 | Ring nut | - | - | - | - | GU93601026 | 1 | |
| 7 | Flywheel | - | - | - | - | GU17067050 | 1 | |
| 8 | Washer 8,4X13X0,8 | - | - | - | - | GU14615901 | 6 | |
| 9 | Screw M8X25 | - | - | - | - | GU12067701 | 6 | |
| 10 | Chain ring | - | - | - | - | GU17067900 | 1 | |
| 11 | Washer 8,4X13X0,8 | - | - | - | - | GU14615901 | 8 | |
| 12 | Hex screw M8X20 | - | - | - | - | GU98054420 | 8 | |
| 13 | Connecting rod | - | - | - | - | GU30061500 | 2 | |
| 14 | Bush | - | - | - | - | GU91112128 | 2 | |
| 15 | Self-locking nut | - | - | - | - | GU92731090 | 4 | |
| 16 | Screw | - | - | - | - | GU14062201 | 4 | |
| 17 | Big end bushing | - | - | - | std | GU28062050 | 4 | |
| | Big end bushing 0,254 mm | - | - | - | MN | GU28062051 | 4 | |
| | Big end bushing 0,254 mm | - | - | - | MN | GU28062052 | 4 | |
| | Bearing half-shell 0,762 mm | - | - | - | MN | GU30062003 | 4 | |
| 18 | Piston | - | - | - | - | GU29060400 | 2 | |
| 19 | Piston ring | - | - | - | - | GU14060760 | 2 | |
| 20 | Piston ring | - | - | - | - | GU18060950 | 2 | |
| 21 | Oil scraper ring | - | - | - | - | GU14061060 | 2 | |
| 22 | Piston pin | - | - | - | - | GU28061260 | 2 | |
| 23 | Stop ring | - | - | - | - | GU27061385 | 4 | |
| 25 | Piston rings set | - | - | - | - | GU18060601 | 2 | |
| 26 | Rocker arm rod | - | - | - | - | GU17045050 | 4 | |
| 27 | Tappet | - | - | - | std | GU17045860 | 4 | |
| 28 | Camshaft | - | - | - | - | GU14053301 | 1 | |
| 29 | Flange | - | - | - | - | GU12054000 | 1 | |
| 30 | Hex screw M6X20 | - | - | - | - | GU98054320 | 3 | |
| 31 | Washer 6,5x11x2 | - | - | - | - | GU95120065 | 3 | |

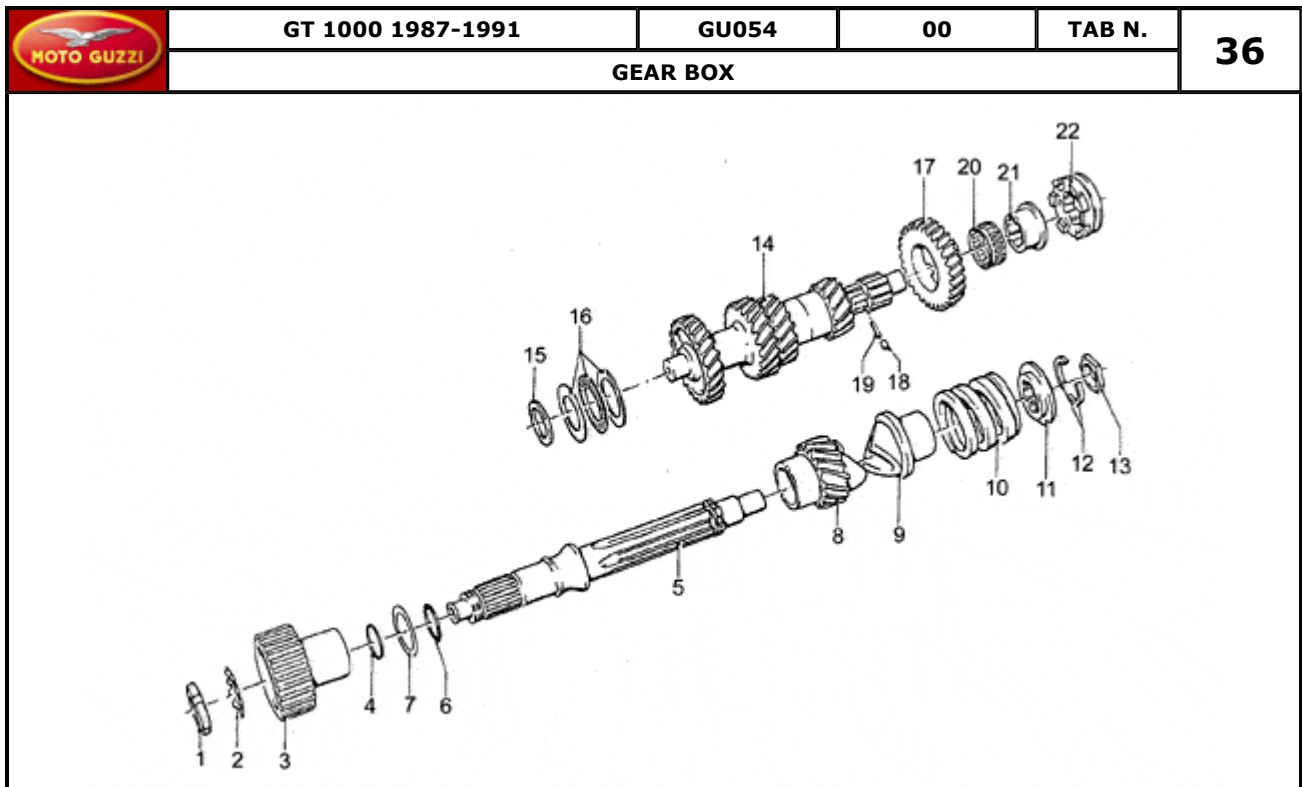
| | | | | | | | | |
|----|-------------------------|---|---|---|----|---|------------|---|
| 32 | Timing system gear | - | - | - | - | - | GU13054502 | 1 |
| 33 | Pin | - | - | - | - | - | GU14234600 | 1 |
| 34 | Spring washer 19x34x1,5 | - | - | - | - | - | GU14433400 | 1 |
| 35 | Nut M18X1,5 | - | - | - | - | - | GU92602518 | 1 |
| 36 | Chain | - | - | - | - | - | GU28058060 | 1 |
| 37 | Chain tensioner | - | - | - | M2 | - | GU30057810 | 1 |
| 38 | Spring washer 8x15x0,3 | - | - | - | - | - | GU61270300 | 2 |
| 39 | Hex screw M8X35 | - | - | - | - | - | GU98052435 | 2 |
| 40 | Chain stretching drive | - | - | - | M1 | - | GU13058200 | 1 |
| 41 | Spacer | - | - | - | - | - | GU91180915 | 2 |
| 42 | Screw | - | - | - | - | - | GU98054440 | 2 |
| 43 | Spring washer 8x15x0,3 | - | - | - | - | - | GU61270300 | 2 |



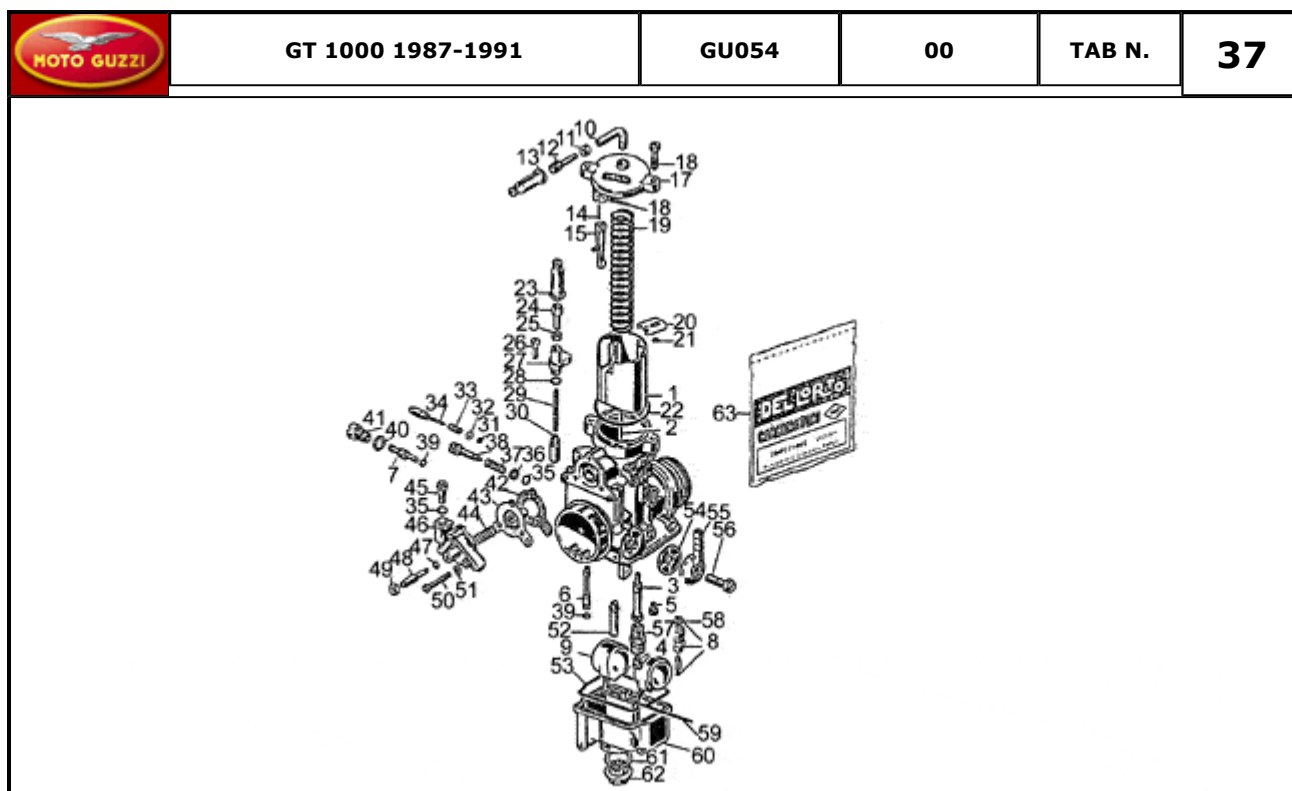
| Pos. | Description | Year | I_M | Country | Version | Code | Q.ty | P.Cod. |
|------|-----------------------------|------|-----|---------|---------|------------|------|--------|
| 1 | Drive shaft | - | - | - | - | GU18064204 | 1 | |
| 2 | Plug | - | - | - | - | GU12065400 | 1 | |
| 3 | Transmission key | - | - | - | - | GU91702355 | 1 | |
| 4 | Pinion | - | - | - | - | GU14072001 | 1 | |
| 5 | Safety washer | - | - | - | - | GU95028025 | 1 | |
| 6 | Ring nut | - | - | - | - | GU93601026 | 1 | |
| 7 | Flywheel | - | - | - | - | GU17067050 | 1 | |
| 8 | Washer 8,4X13X0,8 | - | - | - | - | GU14615901 | 6 | |
| 9 | Screw M8X25 | - | - | - | - | GU12067701 | 6 | |
| 10 | Chain ring | - | - | - | - | GU17067900 | 1 | |
| 11 | Washer 8,4X13X0,8 | - | - | - | - | GU14615901 | 8 | |
| 12 | Hex screw M8X20 | - | - | - | - | GU98054420 | 8 | |
| 13 | Connecting rod | - | - | - | - | GU30061500 | 2 | |
| 14 | Bush | - | - | - | - | GU91112128 | 2 | |
| 15 | Self-locking nut | - | - | - | - | GU92731090 | 4 | |
| 16 | Screw | - | - | - | - | GU14062201 | 4 | |
| 17 | Bearing half-shell 0,762 mm | - | - | - | MN | GU30062003 | 4 | |
| | Big end bushing | - | - | - | std | GU28062050 | 4 | |
| | Big end bushing 0,254 mm | - | - | - | MN | GU28062051 | 4 | |
| | Big end bushing 0,254 mm | - | - | - | MN | GU28062052 | 4 | |
| 18 | Piston | - | - | - | - | GU30060410 | 2 | |
| 19 | Piston ring | - | - | - | - | GU14060760 | 2 | |
| 20 | Piston ring | - | - | - | - | GU18060950 | 2 | |
| 21 | Oil scraper ring | - | - | - | - | GU14061060 | 2 | |
| 22 | Piston pin | - | - | - | - | GU28061260 | 2 | |
| 23 | Stop ring | - | - | - | - | GU27061385 | 4 | |
| 25 | Piston rings set | - | - | - | - | GU18060601 | 2 | |
| 26 | Rocker arm rod | - | - | - | - | GU17045050 | 4 | |
| 27 | Tappet | - | - | - | std | GU17045860 | 4 | |
| 28 | Camshaft | - | - | - | - | GU14053301 | 1 | |
| 29 | Flange | - | - | - | - | GU12054000 | 1 | |
| 30 | Hex screw M6X20 | - | - | - | - | GU98054320 | 3 | |
| 31 | Washer 6,5x11x2 | - | - | - | - | GU95120065 | 3 | |

| | | | | | | | | |
|----|-------------------------|---|---|---|---|---|------------|---|
| 32 | Timing system gear | - | - | - | - | - | GU13054502 | 1 |
| 33 | Pin | - | - | - | - | - | GU14234600 | 1 |
| 34 | Spring washer 19x34x1,5 | - | - | - | - | - | GU14433400 | 1 |
| 35 | Nut M18X1,5 | - | - | - | - | - | GU92602518 | 1 |
| 36 | Chain | - | - | - | - | - | GU28058060 | 1 |
| 37 | Chain tensioner | - | - | - | - | - | GU30057810 | 1 |
| 38 | Spring washer 8x15x0,3 | - | - | - | - | - | GU61270300 | 2 |
| 39 | Hex screw M8X35 | - | - | - | - | - | GU98052435 | 2 |

|  | | GT 1000 1987-1991 | GU054 | 00 | TAB N. | 35 | | |
|------------------------------------------------------------------------------------|--------------------------|-------------------|-------|---------|---------|------------|------|--------|
|  | | | | | | | | |
| Pos. | Description | Year | I_M_ | Country | Version | Code | Q.ty | P.Cod. |
| 1 | Driven shaft | - | - | - | - | GU14213612 | 1 | |
| 2 | Nut | - | - | - | - | GU14217410 | 1 | |
| 3 | Shim 17,25x27x0,5 | - | - | - | - | GU43083810 | 2 | |
| 4 | Clearance washer 17,1x30 | - | - | - | - | GU14215400 | 1 | |
| 5 | Gear 4a Z=20 | - | - | - | - | GU14215110 | 1 | |
| 6 | Ring 4a | - | - | - | - | GU92259017 | 1 | |
| 7 | Roller cage 4a A.S. | - | - | - | - | GU92251022 | 1 | |
| 8 | Sliding sleeve 3a-4a | - | - | - | - | GU14231012 | 1 | |
| 9 | Hose | - | - | - | - | GU14232512 | 1 | |
| 10 | Washer 25x40x3 | - | - | - | - | GU14218011 | 1 | |
| 11 | Gear 3a Z=22 | - | - | - | - | GU14214810 | 1 | |
| 12 | Bush 1a-2a-3a AS | - | - | - | - | GU14213001 | 3 | |
| 13 | Gear 2a Z=25 | - | - | - | - | GU14214510 | 1 | |
| 14 | Nut | - | - | - | - | GU14219310 | 1 | |
| 15 | Ball | - | - | - | - | GU92295702 | 1 | |
| 16 | Washer 22,1x32x2 | - | - | - | - | GU14217300 | 1 | |
| 17 | Gear 5a AS Z=21 | - | - | - | - | GU14215213 | 1 | |
| 18 | Gear 1a Z=28 | - | - | - | - | GU14214210 | 1 | |
| 19 | Sliding sleeve 1a-2a | - | - | - | - | GU14230711 | 1 | |
| 20 | Shift cam | - | - | - | - | GU14234405 | 1 | |
| 21 | Washer 8,2x28x1 | - | - | - | - | GU14235500 | 1 | |
| 22 | Shim 0,6 mm | - | - | - | - | GU55235000 | 3 | |
| | Shim 0,8 mm | - | - | - | - | GU55235001 | 3 | |
| | Shim 1 mm | - | - | - | - | GU55235002 | 3 | |
| | Shim 1,2 mm | - | - | - | - | GU55235003 | 3 | |
| 23 | Rod | - | - | - | - | GU14234300 | 1 | |
| 24 | Pin | - | - | - | - | GU14234600 | 4 | |
| 25 | Rod | - | - | - | - | GU14232400 | 1 | |
| 26 | Fork 1a-2a-3a-4a | - | - | - | - | GU14230501 | 2 | |
| 27 | Fork 5a | - | - | - | - | GU14231201 | 1 | |
| 28 | O-ring 21,95x1,78 | - | - | - | - | GU90706219 | 1 | |
| 29 | Spring | - | - | - | - | GU28238260 | 1 | |
| 30 | Roller cage 30x35x13 | - | - | - | - | GU92251030 | 3 | |
| 31 | O-ring 20,24X2,62 | - | - | - | - | GU90706203 | 1 | |
| 32 | Preselection complete | - | - | - | - | GU28236260 | 1 | |
| 33 | Washer | - | - | - | - | GU28217350 | 1 | |

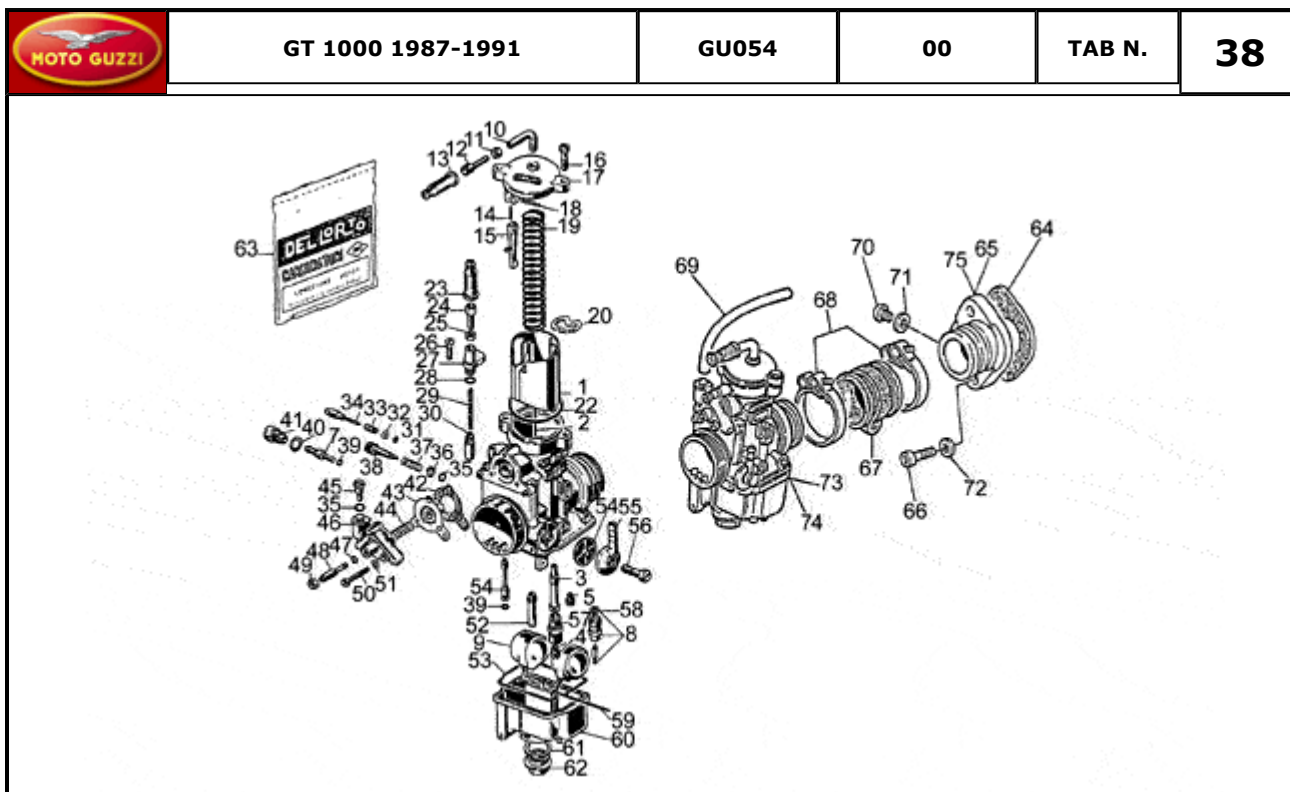


| Pos. | Description | Year | I_M_ | Country | Version | Code | Q.ty | P.Cod. |
|------|-------------------------------------|------|------|---------|---------|------------|------|--------|
| 1 | Ring nut | - | - | - | - | GU93601022 | 1 | |
| 2 | Washer 22x20x3,9 | - | - | - | - | GU95028022 | 1 | |
| 3 | Clutch gearing | - | - | - | E-M3-O3 | GU14081811 | 1 | |
| | Clutch gear | - | - | - | M4 | GU30081810 | 1 | |
| 4 | O-ring 23,52x1,78 | - | - | - | - | GU90706235 | 1 | |
| 5 | Clutch shaft | - | - | - | - | GU14210702 | 1 | |
| 6 | O-ring 20,24X2,62 | - | - | - | - | GU90706203 | 1 | |
| 7 | Oil-spreading washer 25,1x36x0,5 | - | - | - | - | GU14218401 | 1 | |
| 8 | Gear Z=17 | - | - | - | - | GU14211110 | 1 | |
| 9 | Hose | - | - | - | - | GU14211201 | 1 | |
| 10 | Belleville spring | - | - | - | - | GU13211500 | 1 | |
| 11 | Disc | - | - | - | - | GU14211600 | 1 | |
| 12 | Half ring | - | - | - | - | GU12211700 | 2 | |
| 13 | Spacer | - | - | - | - | GU14219401 | 1 | |
| 14 | Primary gear shaft | - | - | - | - | GU14210513 | 1 | |
| 15 | Thrust washer sp.2 | - | - | - | - | GU18211050 | 1 | |
| | Thrust washer sp.2,1 | - | - | - | - | GU18211051 | 1 | |
| | Thrust washer sp.2,2 | - | - | - | - | GU18211052 | 1 | |
| | Thrust washer sp.2,4 | - | - | - | - | GU18211054 | 1 | |
| 16 | Roller bearing | - | - | - | - | GU92258525 | 1 | |
| 17 | Gear 5a Z=28 | - | - | - | - | GU14212013 | 1 | |
| 18 | Roller | - | - | - | - | GU92296750 | 1 | |
| 19 | Spring | - | - | - | - | GU94321051 | 1 | |
| 20 | Roller cage 30x35x13 | - | - | - | - | GU92251030 | 1 | |
| 21 | Bush 5a AP | - | - | - | - | GU14212210 | 1 | |
| 22 | Sliding sleeve 5a | - | - | - | - | GU14231510 | 1 | |



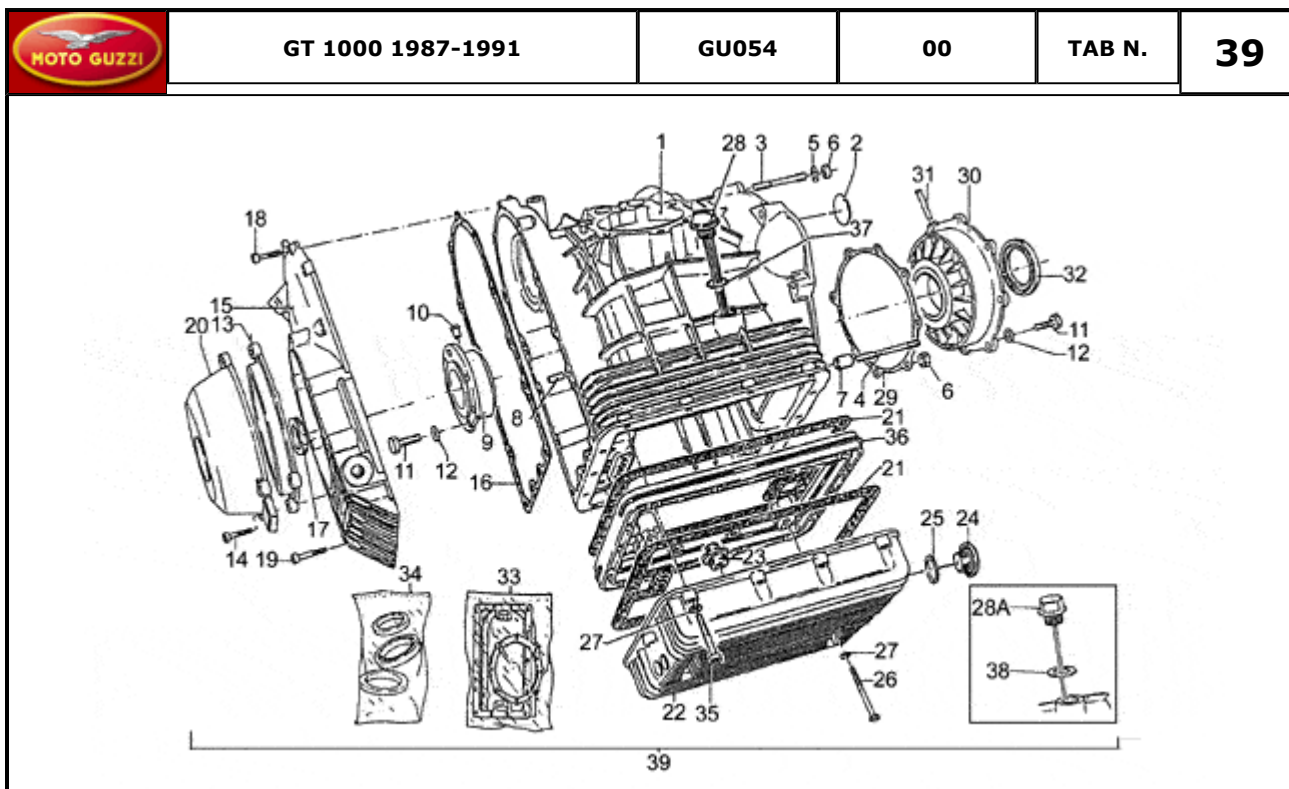
| Pos. | Description | Year | I_M | Country | Version | Code | Q.ty | P.Cod. |
|------|----------------------|------|-----|---------|---------|------------|------|--------|
| 1 | Gas valve 50/3 | - | - | - | - | GU28937511 | 1 | |
| 2 | Conical pin K23 | - | - | - | - | GU28937711 | 1 | |
| 3 | Needle valve AB 264 | - | - | - | - | GU28935511 | 1 | |
| 4 | Main jet | - | - | - | - | GU28935740 | 1 | |
| 5 | Idle jet 50 | - | - | - | - | GU66935910 | 1 | |
| 6 | Starter jet 75 | - | - | - | - | GU17936067 | 1 | |
| 7 | Pump jet 38 | - | - | - | - | GU28939011 | 1 | |
| 8 | Needle valve 250 | - | - | - | - | GU17939167 | 1 | |
| 9 | Float | - | - | - | - | GU14933000 | 1 | |
| 10 | Pipe | - | - | - | - | GU49938900 | 1 | |
| 11 | Nut | - | - | - | DO1 | 000000 | 1 | |
| 12 | Wire tensioner screw | - | - | - | - | GU53937200 | 1 | |
| 13 | Throttle cable cap | - | - | - | O1 | 000000 | 1 | |
| 14 | Spring | - | - | - | - | GU14938050 | 1 | |
| 15 | Pump control lever | - | - | - | DO2 | 000000 | 1 | |
| 16 | Screw | - | - | - | - | GU14934650 | 1 | |
| 17 | Cover | - | - | - | DO3 | 000000 | 1 | |
| 18 | Pin | - | - | - | DO4 | 000000 | 1 | |
| 19 | Spring | - | - | - | - | GU17937167 | 1 | |
| 20 | Plate | - | - | - | DO5 | 000000 | 1 | |
| 21 | Conical pin clip | - | - | - | DO6 | 000000 | 1 | |
| 22 | Gasket | - | - | - | O1 | 000000 | 1 | |
| 23 | Starter cable cap | - | - | - | O1 | 000000 | 1 | |
| 24 | Wire tensioner screw | - | - | - | - | GU12937200 | 1 | |
| 25 | Nut | - | - | - | - | GU12937300 | 1 | |
| 26 | Screw | - | - | - | - | GU13937900 | 1 | |
| 27 | Starter device cover | - | - | - | - | GU17937450 | 1 | |
| 28 | Gasket | - | - | - | O1 | 000000 | 1 | |
| 29 | Spring | - | - | - | - | GU13937600 | 1 | |
| 30 | Starter valve | - | - | - | - | GU13937800 | 1 | |
| 31 | Gasket | - | - | - | O1 | 000000 | 1 | |
| 32 | Flat washer | - | - | - | - | GU65933700 | 1 | |
| 33 | Spring | - | - | - | - | GU13936300 | 1 | |

| | | | | | | | | |
|----|--------------------------|---|---|---|------|---|------------|---|
| 34 | Adj.min.eng.speed screw | - | - | - | - | - | GU13936200 | 1 |
| 35 | Gasket | - | - | - | O1 | - | 0000000 | 1 |
| 36 | Flat washer | - | - | - | - | - | GU14931650 | 1 |
| 37 | Spring | - | - | - | - | - | GU13936700 | 1 |
| 38 | Gas valve adjuster screw | - | - | - | - | - | GU13936600 | 1 |
| 39 | Gasket | - | - | - | O1 | - | 0000000 | 1 |
| 40 | Gasket | - | - | - | O1 | - | 0000000 | 1 |
| 41 | Jetholder | - | - | - | DO7 | - | 0000000 | 1 |
| 42 | Gasket | - | - | - | O1 | - | 0000000 | 1 |
| 43 | Diaphragm | - | - | - | - | - | GU14931050 | 1 |
| 44 | Spring | - | - | - | - | - | GU14936950 | 1 |
| 45 | Delivery valve | - | - | - | DO8 | - | 0000000 | 1 |
| 46 | Pump cover | - | - | - | - | - | GU14936850 | 1 |
| 47 | Gasket | - | - | - | O1 | - | 0000000 | 1 |
| 48 | Screw | - | - | - | DO9 | - | 0000000 | 1 |
| 49 | Nut | - | - | - | - | - | GU14936450 | 1 |
| 50 | Screw | - | - | - | DO10 | - | 0000000 | 1 |
| 51 | Washer | - | - | - | - | - | GU13932900 | 1 |
| 52 | Intake valve | - | - | - | - | - | GU14931350 | 1 |
| 53 | Gasket | - | - | - | O1 | - | 0000000 | 1 |
| 54 | Fuel filter | - | - | - | - | - | GU43934000 | 1 |
| 55 | Fuel pipe union cap | - | - | - | DO11 | - | 0000000 | 1 |
| 56 | Cap fixing screw | - | - | - | - | - | GU10934900 | 1 |
| 57 | Main jetholder | - | - | - | DO12 | - | 0000000 | 1 |
| 58 | Gasket | - | - | - | O1 | - | 0000000 | 1 |
| 59 | Float pin | - | - | - | - | - | GU13933100 | 1 |
| 60 | Float chamber | - | - | - | DO13 | - | 0000000 | 1 |
| 61 | Gasket | - | - | - | O1 | - | 0000000 | 1 |
| 62 | Float chamber fix.plug | - | - | - | DO14 | - | 0000000 | 1 |
| 63 | Carburettor gasket set | - | - | - | - | - | GU28939911 | 1 |



| Pos. | Description | Year | I_M | Country | Version | Code | Q.ty | P.Cod. |
|------|----------------------|------|-----|---------|---------|------------|------|--------|
| 1 | Gas valve 60/3 | - | - | - | - | GU30937510 | 1 | |
| 2 | Conical pin | - | - | - | - | GU28937750 | 1 | |
| 3 | Needle valve AR268 | - | - | - | - | GU30935510 | 1 | |
| 4 | Main jet 130 | - | - | - | - | GU28935711 | 1 | |
| 5 | Idle jet 50 | - | - | - | - | GU66935910 | 1 | |
| 6 | Starter jet 70 | - | - | - | - | GU14936050 | 1 | |
| 7 | Pump jet 33 | - | - | - | - | GU28939050 | 1 | |
| 8 | Needle valve 300 | - | - | - | - | GU30939110 | 1 | |
| 9 | Float | - | - | - | - | GU14933000 | 1 | |
| 10 | Pipe | - | - | - | - | GU49938900 | 1 | |
| 11 | Nut | - | - | - | DO15 | 000000 | 1 | |
| 12 | Wire tensioner screw | - | - | - | - | GU53937200 | 1 | |
| 13 | Throttle cable cap | - | - | - | O1 | 000000 | 1 | |
| 14 | Spring | - | - | - | - | GU14938050 | 1 | |
| 15 | Pump control lever | - | - | - | DO16 | 000000 | 1 | |
| 16 | Screw | - | - | - | - | GU14934650 | 1 | |
| 17 | Cover | - | - | - | DO17 | 000000 | 1 | |
| 18 | Pin | - | - | - | DO18 | 000000 | 1 | |
| 19 | Spring | - | - | - | DO19 | 000000 | 1 | |
| 20 | Clip | - | - | - | DO20 | 000000 | 1 | |
| 22 | Gasket | - | - | - | O1 | 000000 | 1 | |
| 23 | Starter cable cap | - | - | - | O1 | 000000 | 1 | |
| 24 | Wire tensioner screw | - | - | - | - | GU12937200 | 1 | |
| 25 | Nut | - | - | - | - | GU12937300 | 1 | |
| 26 | Screw | - | - | - | - | GU13937900 | 1 | |
| 27 | Starter device cover | - | - | - | - | GU17937450 | 1 | |
| 28 | Gasket | - | - | - | O1 | 000000 | 1 | |
| 29 | Spring | - | - | - | - | GU13937600 | 1 | |
| 30 | Starter valve | - | - | - | - | GU13937800 | 1 | |
| 31 | Gasket | - | - | - | O1 | 000000 | 1 | |
| 32 | Flat washer | - | - | - | - | GU65933700 | 1 | |
| 33 | Spring | - | - | - | - | GU13936300 | 1 | |
| 34 | Screw | - | - | - | - | GU30936210 | 1 | |

| | | | | | | | | |
|----|--------------------------|---|---|---|------|---|------------|---|
| 35 | Gasket | - | - | - | O1 | - | 0000000 | 1 |
| 36 | Flat washer | - | - | - | - | - | GU14931650 | 1 |
| 37 | Spring | - | - | - | - | - | GU13936700 | 1 |
| 38 | Gas valve adjuster screw | - | - | - | - | - | GU13936600 | 1 |
| 39 | Gasket | - | - | - | O1 | - | 0000000 | 1 |
| 40 | Gasket | - | - | - | O1 | - | 0000000 | 1 |
| 41 | Jetholder | - | - | - | DO21 | - | 0000000 | 1 |
| 42 | Gasket | - | - | - | O1 | - | 0000000 | 1 |
| 43 | Diaphragm | - | - | - | - | - | GU14931050 | 1 |
| 44 | Spring | - | - | - | - | - | GU14936950 | 1 |
| 45 | Delivery valve | - | - | - | DO22 | - | 0000000 | 1 |
| 46 | Pump cover | - | - | - | - | - | GU14936850 | 1 |
| 47 | Gasket | - | - | - | O1 | - | 0000000 | 1 |
| 48 | Screw | - | - | - | - | - | GU14936550 | 1 |
| 49 | Nut | - | - | - | - | - | GU14936450 | 1 |
| 50 | Screw | - | - | - | DO23 | - | 0000000 | 1 |
| 51 | Washer | - | - | - | - | - | GU13932900 | 1 |
| 52 | Intake valve | - | - | - | - | - | GU14931350 | 1 |
| 53 | Gasket | - | - | - | O1 | - | 0000000 | 1 |
| 54 | Fuel filter | - | - | - | - | - | GU43934000 | 1 |
| 55 | Fuel pipe union cap | - | - | - | DO24 | - | 0000000 | 1 |
| 56 | Cap fixing screw | - | - | - | - | - | GU10934900 | 1 |
| 57 | Main jetholder | - | - | - | DO25 | - | 0000000 | 1 |
| 58 | Gasket | - | - | - | O1 | - | 0000000 | 1 |
| 59 | Float pin | - | - | - | - | - | GU13933100 | 1 |
| 60 | Float chamber | - | - | - | DO26 | - | 0000000 | 1 |
| 61 | Gasket | - | - | - | O1 | - | 0000000 | 1 |
| 62 | Float chamber fix.plug | - | - | - | DO27 | - | 0000000 | 1 |
| 63 | Carburettor gasket set | - | - | - | - | - | GU28939911 | 1 |
| 64 | Gasket | - | - | - | - | - | GU28115560 | 2 |
| 65 | RH manifold | - | - | - | - | - | GU30115010 | 2 |
| 66 | Hex socket screw M6X25 | - | - | - | - | - | GU98622325 | 6 |
| 67 | Carburettor flange | - | - | - | - | - | GU14114350 | 2 |
| 68 | Hose clamp 57x59,5x10 | - | - | - | - | - | GU93305057 | 4 |
| 69 | Breather pipe | - | - | - | - | - | GU95985351 | 2 |
| 70 | Screw | - | - | - | - | - | GU98346010 | 2 |
| 71 | Washer 6,25x10x1,5 | - | - | - | - | - | GU95100116 | 4 |
| 72 | Washer 6,15x11x0,8 | - | - | - | - | - | GU95004206 | 6 |
| 73 | Carburettor RH | - | - | - | - | - | GU30112610 | 1 |
| 74 | Carburettor LH | - | - | - | - | - | GU30112611 | 1 |
| 75 | LH manifold | - | - | - | - | - | GU30115011 | 1 |

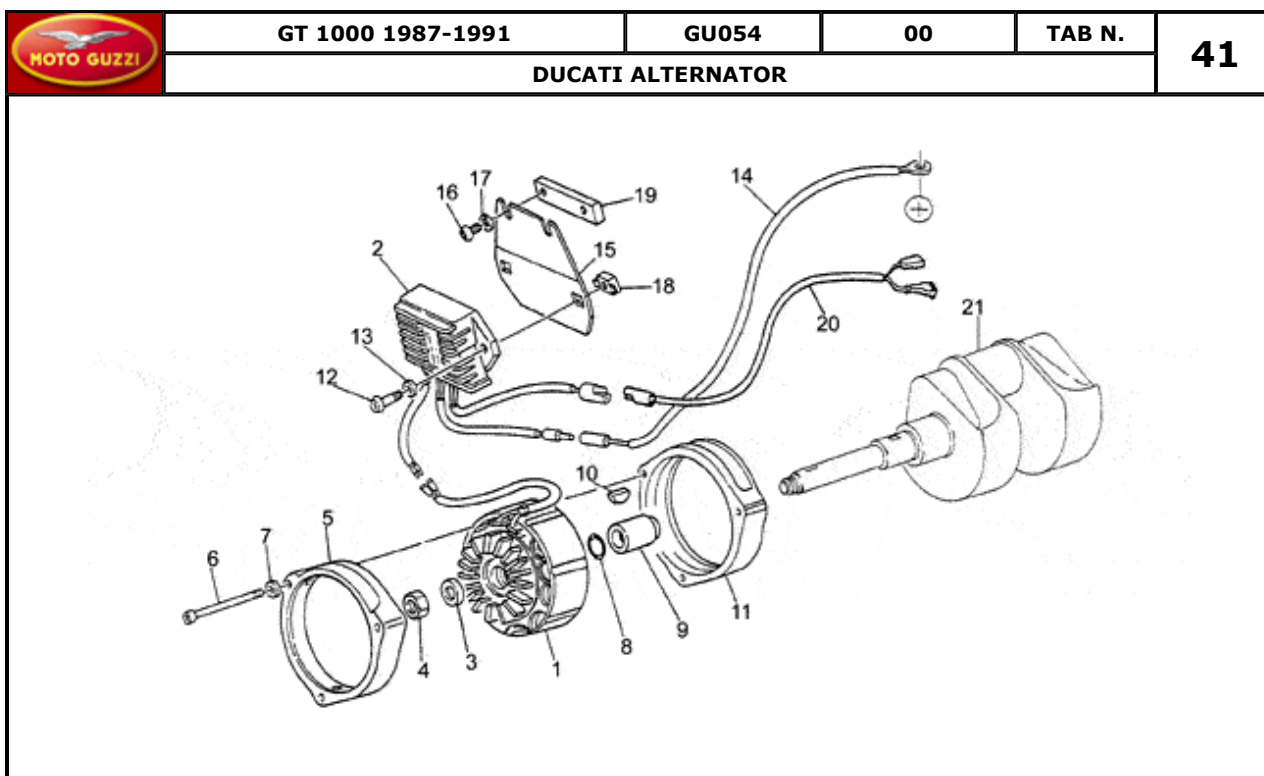


| Pos. | Description | Year | I_M | Country | Version | Code | Q.ty | P.Cod. |
|------|------------------------|------|-----|---------|---------|------------|------|--------|
| 1 | Crankcase | - | - | - | - | GU14000765 | 1 | |
| 2 | Disc | - | - | - | - | GU12003900 | 1 | |
| 3 | Stud bolt M8X66 | - | - | - | - | GU96508066 | 4 | |
| 4 | Stud bolt M8x75 | - | - | - | - | GU96508075 | 2 | |
| 5 | Washer | - | - | - | - | GU95004208 | 5 | |
| 6 | Nut M8X1,25 | - | - | - | - | GU92602208 | 6 | |
| 7 | Coupling bush | - | - | - | - | GU12018900 | 2 | |
| 8 | Pin | - | - | - | - | GU95512081 | 2 | |
| 9 | Complete flange | - | - | - | std | GU14011900 | 1 | |
| | Flange min.0,2 mm | - | - | - | MN | GU14011901 | 1 | |
| 10 | Pin | - | - | - | - | GU12012200 | 1 | |
| 11 | Screw M8X25 | - | - | - | - | GU98054425 | 14 | |
| 12 | Spring washer 8x15x0,3 | - | - | - | - | GU61270300 | 14 | |
| 13 | Flange | - | - | - | - | GU18001150 | 1 | |
| 14 | Screw | - | - | - | - | GU98310630 | 4 | |
| 15 | Timing system cover | - | - | - | - | GU14001400 | 1 | |
| 16 | Cover gasket | - | - | - | - | GU12001200 | 1 | |
| 17 | Gasket ring | - | - | - | S | GU90402038 | 1 | |
| | Gasket ring 28x38x7 | - | - | - | B | GU90402840 | 1 | |
| 18 | Hex socket screw M6X25 | - | - | - | - | GU98622325 | 8 | |
| 19 | Screw M6X35 | - | - | - | - | GU98620335 | 6 | |
| 20 | Cover | - | - | - | - | GU18001650 | 1 | |
| 21 | Sump gasket | - | - | - | - | GU14003600 | 2 | |
| 22 | Engine oil sump, blank | - | - | - | - | GU14003501 | 1 | |
| 23 | Oil filter union 61 mm | - | - | - | - | GU14003800 | 1 | |
| 24 | Oil plug | - | - | - | - | GU19351200 | 1 | |
| 25 | O-ring 20,24X2,62 | - | - | - | - | GU90706203 | 1 | |
| 26 | Screw | - | - | - | - | GU98052390 | 4 | |
| 27 | Washer 6,15x11x0,8 | - | - | - | - | GU95004206 | 18 | |
| 28 | Oil filler plug | - | - | - | M6 | GU29004950 | 1 | |
| | Oil plug | - | - | - | M5 | GU30004910 | 1 | |
| 29 | Gasket | - | - | - | - | GU12011800 | 1 | |
| 30 | Complete flange | - | - | - | std | GU12011400 | 1 | |

| | | | | | | | | |
|----|---------------------|---|---|---|----|---|------------|----|
| | Flange min.0,2 mm | - | - | - | MN | - | GU12011401 | 1 |
| | Flange min.0,4 mm | - | - | - | MN | - | GU12011402 | 1 |
| | Flange min.0,6 mm | - | - | - | MN | - | GU12011403 | 1 |
| 31 | Pin | - | - | - | - | - | GU12011700 | 1 |
| 32 | Gasket ring | - | - | - | - | - | GU90405367 | 1 |
| 33 | Engine set gasket | - | - | - | - | - | GU29999000 | 1 |
| 34 | Engine oil seal kit | - | - | - | - | - | GU17999550 | 1 |
| 35 | Screw M6X60 | - | - | - | - | - | GU98620355 | 14 |
| 36 | Motor oil flange | - | - | - | - | - | GU14003240 | 1 |
| 37 | O-ring 17,86X2,62 | - | - | - | M5 | - | GU90706178 | 1 |
| 38 | Gasket 20,1x28x2 | - | - | - | M6 | - | GU95100709 | 1 |
| 39 | Engine w/o gearbox | - | - | - | S | - | GU28991033 | 1 |
| | Engine | - | - | - | B | - | GU29991000 | 1 |

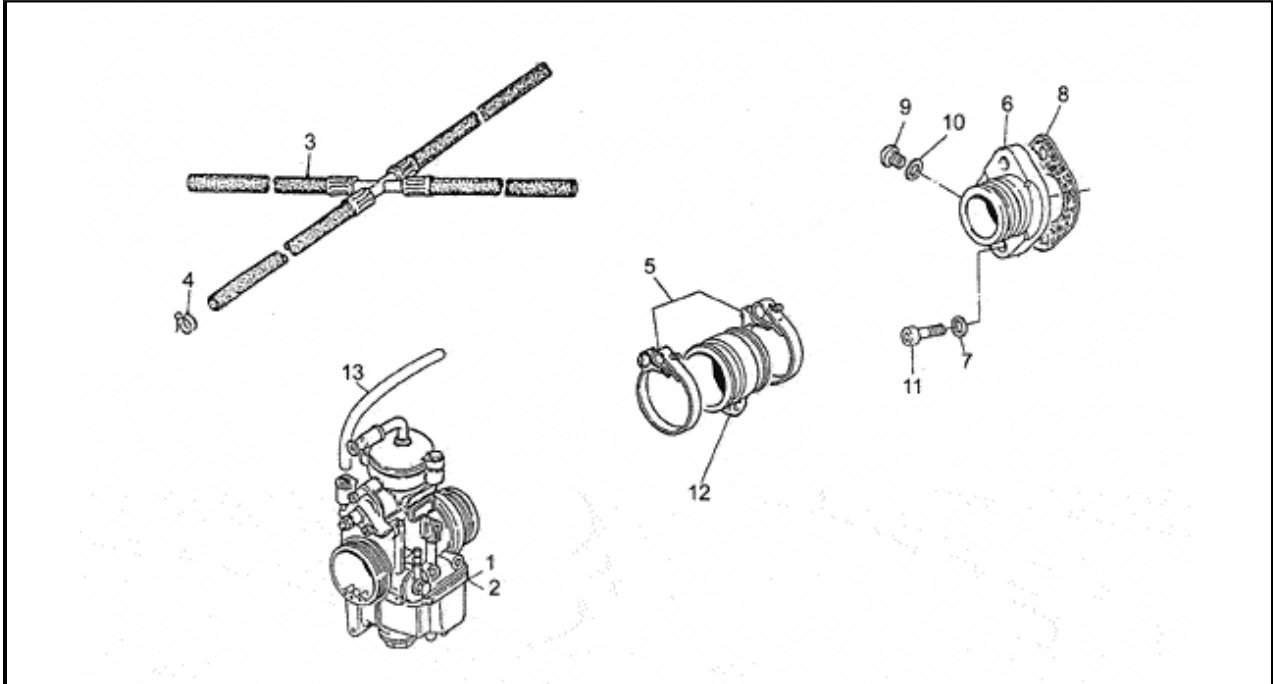
| GT 1000 1987-1991 | | GU054 | | 00 | | TAB N. | | 40 | |
|-------------------|-----------------------|-------|-----|---------|---------|------------|------|--------|--|
| CLUTCH | | | | | | | | | |
| | | | | | | | | | |
| Pos. | Description | Year | I_M | Country | Version | Code | Q.ty | P.Cod. | |
| 1 | Clutch spring | - | - | - | - | GU13084100 | 8 | | |
| 2 | Disc | - | - | - | - | GU12082901 | 1 | | |
| 3 | Clutch disc | - | - | - | E-M3-O3 | GU28084460 | 2 | | |
| | Clutch plate complete | - | - | - | M4 | GU29084450 | 2 | | |
| 4 | Intermediate plate | - | - | - | - | GU12082300 | 1 | | |
| 5 | Cup | - | - | - | - | GU12082800 | 1 | | |
| 6 | Rod | - | - | - | - | GU14085700 | 1 | | |
| 7 | Bush | - | - | - | - | GU14085900 | 2 | | |
| 8 | Inner body | - | - | - | - | GU14086000 | 1 | | |
| 9 | Thrust bearing | - | - | - | - | GU12087001 | 1 | | |
| 10 | Outer body | - | - | - | - | GU14086100 | 1 | | |
| 11 | O-ring 17,13x2,62 | - | - | - | - | GU90706170 | 1 | | |
| 12 | Clutch release shaft | - | - | - | - | GU14090202 | 1 | | |
| 13 | Lever return spring | - | - | - | - | GU94321105 | 1 | | |
| 14 | Adjuster screw | - | - | - | - | GU14090400 | 1 | | |
| 15 | Nut M8X1 | - | - | - | - | GU92602508 | 1 | | |
| 16 | Pin 7x39 | - | - | - | - | GU95780271 | 1 | | |
| 17 | Split pin | - | - | - | - | GU95500222 | 1 | | |

| GT 1000 1987-1991 | | GU054 | | 00 | | TAB N. | | 40 | |
|-------------------|-----------------------|-------|-----|---------|---------|------------|------|--------|--|
| CLUTCH | | | | | | | | | |
| | | | | | | | | | |
| Pos. | Description | Year | I_M | Country | Version | Code | Q.ty | P.Cod. | |
| 1 | Clutch spring | - | - | - | - | GU13084100 | 8 | | |
| 2 | Disc | - | - | - | - | GU12082901 | 1 | | |
| 3 | Clutch disc | - | - | - | E-M3-O3 | GU28084460 | 2 | | |
| | Clutch plate complete | - | - | - | M4 | GU29084450 | 2 | | |
| 4 | Intermediate plate | - | - | - | - | GU12082300 | 1 | | |
| 5 | Cup | - | - | - | - | GU12082800 | 1 | | |
| 6 | Rod | - | - | - | - | GU14085700 | 1 | | |
| 7 | Bush | - | - | - | - | GU14085900 | 2 | | |
| 8 | Inner body | - | - | - | - | GU14086000 | 1 | | |
| 9 | Thrust bearing | - | - | - | - | GU12087001 | 1 | | |
| 10 | Outer body | - | - | - | - | GU14086100 | 1 | | |
| 11 | O-ring 17,13x2,62 | - | - | - | - | GU90706170 | 1 | | |
| 12 | Clutch release shaft | - | - | - | - | GU14090202 | 1 | | |
| 13 | Lever return spring | - | - | - | - | GU94321105 | 1 | | |
| 14 | Adjuster screw | - | - | - | - | GU14090400 | 1 | | |
| 15 | Nut M8X1 | - | - | - | - | GU92602508 | 1 | | |
| 16 | Pin 7x39 | - | - | - | - | GU95780271 | 1 | | |
| 17 | Split pin | - | - | - | - | GU95500222 | 1 | | |

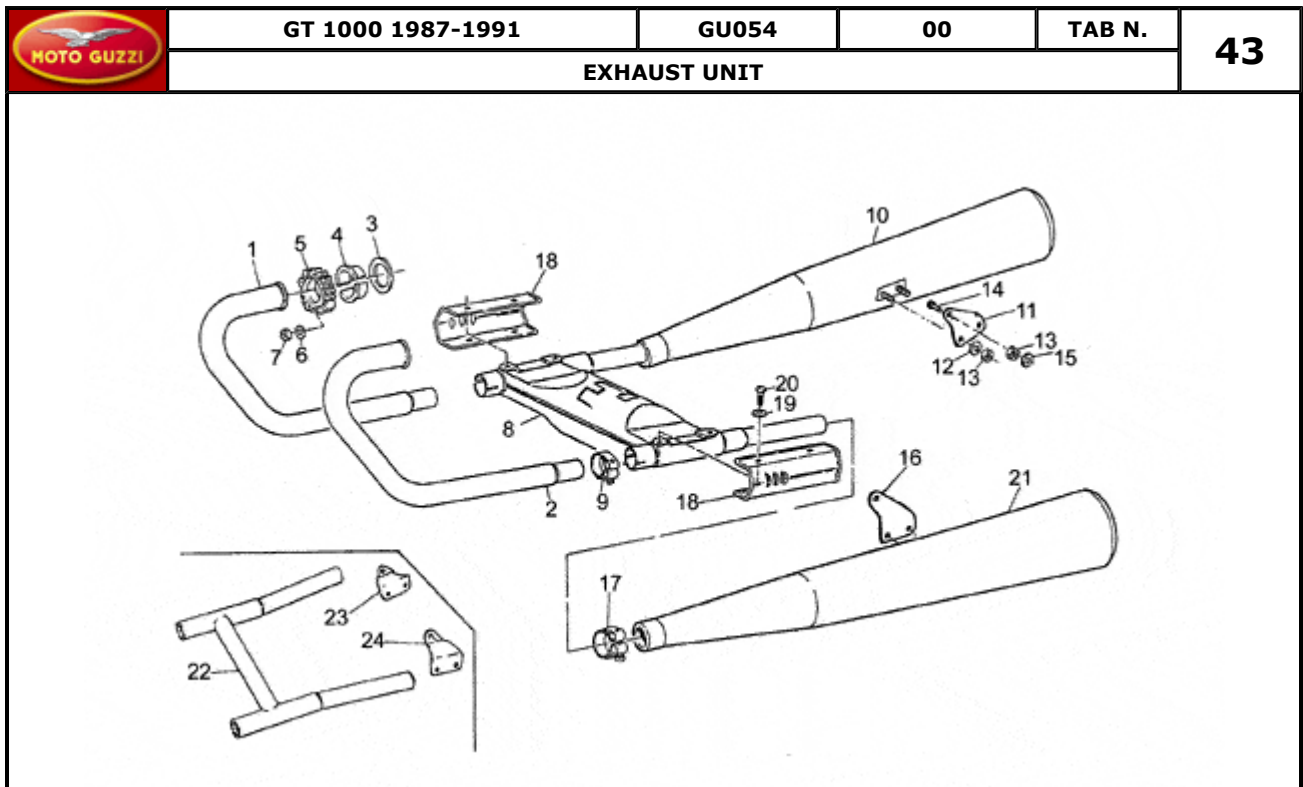


| Pos. | Description | Year | I_M_ | Country | Version | Code | Q.ty | P.Cod. |
|------|------------------------|------|------|---------|---------|---------------|------|--------|
| 1 | Generator - Regulator | - | - | - | - | GU37712405001 | 1 | |
| 2 | Voltage regulator | - | - | - | - | GU37703805 | 1 | |
| 3 | Washer | - | - | - | M7 | GU30714200 | 1 | |
| | Washer 16,25x24,5x5 | - | - | - | M8 | GU30714201 | 1 | |
| 4 | Low nut M12x1,25 | - | - | - | M7 | GU92602512 | 1 | |
| | Nut M16X1,5 | - | - | - | M8 | GU92603516 | 1 | |
| 5 | Front calotte | - | - | - | - | GU29711460 | 1 | |
| 6 | Screw | - | - | - | - | GU98620265 | 3 | |
| 7 | Washer 5,9X3X0,8 | - | - | - | - | GU29217960 | 3 | |
| 8 | O-ring 17,86X2,62 | - | - | - | - | GU90706178 | 1 | |
| 9 | Spacer | - | - | - | - | GU37712306 | 1 | |
| 10 | Transmission key | - | - | - | - | GU91600450 | 1 | |
| 11 | Rear cap | - | - | - | - | GU29711960 | 1 | |
| 12 | Screw | - | - | - | - | GU98230620 | 2 | |
| 13 | Special washer | - | - | - | - | GU61013800 | 2 | |
| 14 | Battery leads | - | - | - | - | GU29726461 | 1 | |
| 15 | Support plate | - | - | - | - | GU29704060 | 1 | |
| 16 | Top screw | - | - | - | - | GU98230822 | 2 | |
| 17 | Spring washer 8x15x0,3 | - | - | - | - | GU61270300 | 2 | |
| 18 | Captive nut | - | - | - | - | GU92660601 | 2 | |
| 19 | Plate | - | - | - | - | GU17451750 | 1 | |
| 20 | Main wiring harness | - | - | - | - | GU29727551 | 1 | |
| 21 | Drive shaft | - | - | - | - | GU29064161 | 1 | |

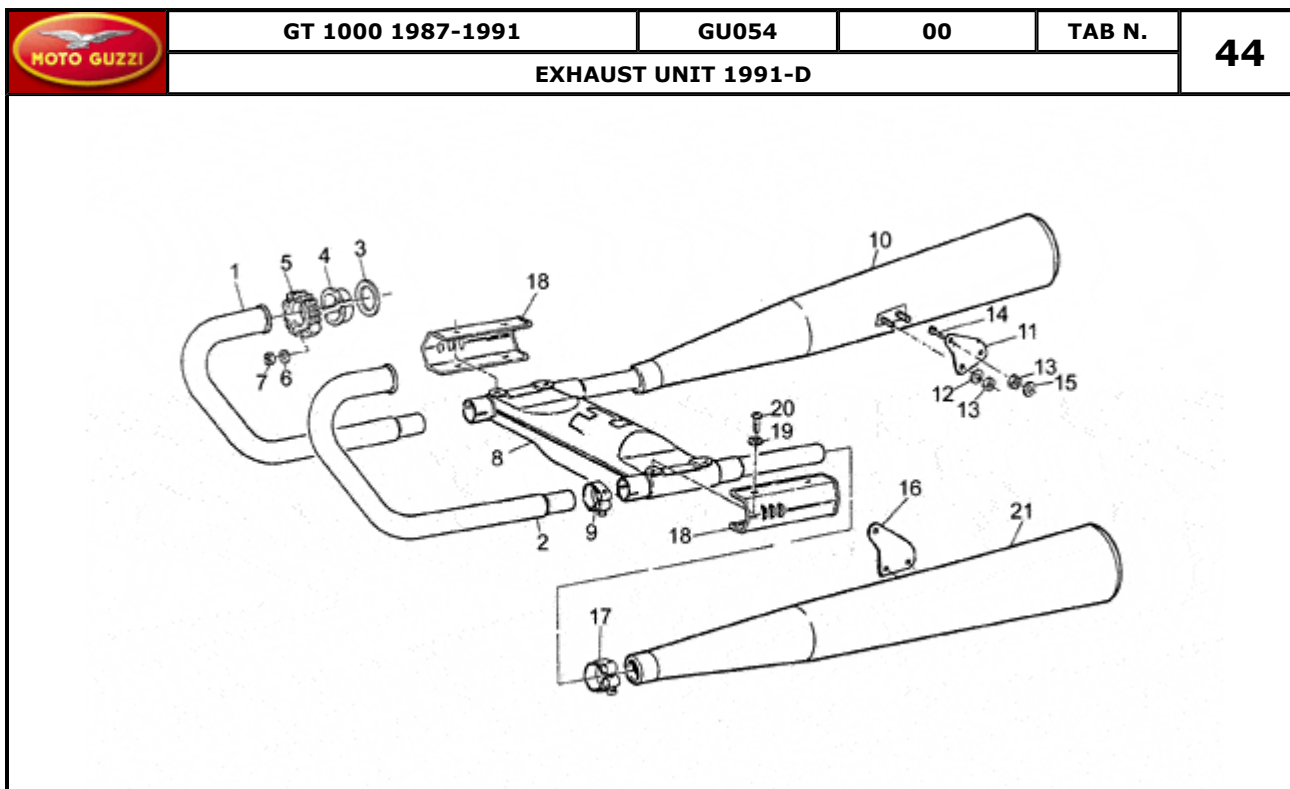
| | | | | | |
|-----------------------------------------------------------------------------------|-------------------|-------|----|--------|----|
|  | GT 1000 1987-1991 | GU054 | 00 | TAB N. | 42 |
| | FUEL SUPPLY | | | | |




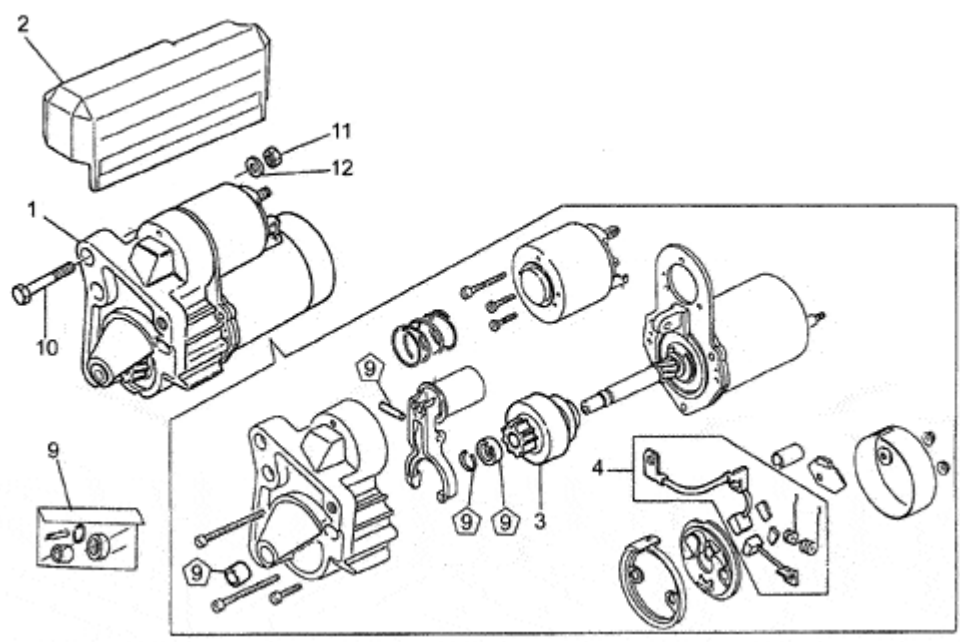
| Pos. | Description | Year | I_M_ | Country | Version | Code | Q.ty | P.Cod. |
|------|-------------------------|------|------|---------|---------|---------------|------|--------|
| 1 | Carburettor RH PHF 30DD | - | - | - | - | GU29112652 | 1 | |
| 2 | Carburettor LH PHF 30DS | - | - | - | - | GU29112653 | 1 | |
| 3 | Fuel pipe | - | - | - | - | GU29106500 | 1 | |
| 4 | Hose clamp | - | - | - | - | GU28108410 | 4 | |
| 5 | Hose clamp 57x59,5x10 | - | - | - | - | GU93305057 | 4 | |
| 6 | Intake manifold | - | - | - | - | GU29115020 | 2 | |
| 7 | Washer 6,15x11x0,8 | - | - | - | - | GU95004206 | 6 | |
| 8 | Gasket | - | - | - | - | GU14115550 | 2 | |
| 9 | Screw | - | - | - | - | GU98310610 | 2 | |
| 10 | Washer 6,25x10x1,5 | - | - | - | - | GU95100116 | 2 | |
| 11 | Screw M6X30 | - | - | - | - | GU98620330 | 6 | |
| 12 | Carburettor flange | - | - | - | - | GU14114350 | 2 | |
| 13 | Breather pipe | - | - | - | - | GU00823946050 | 1 | |

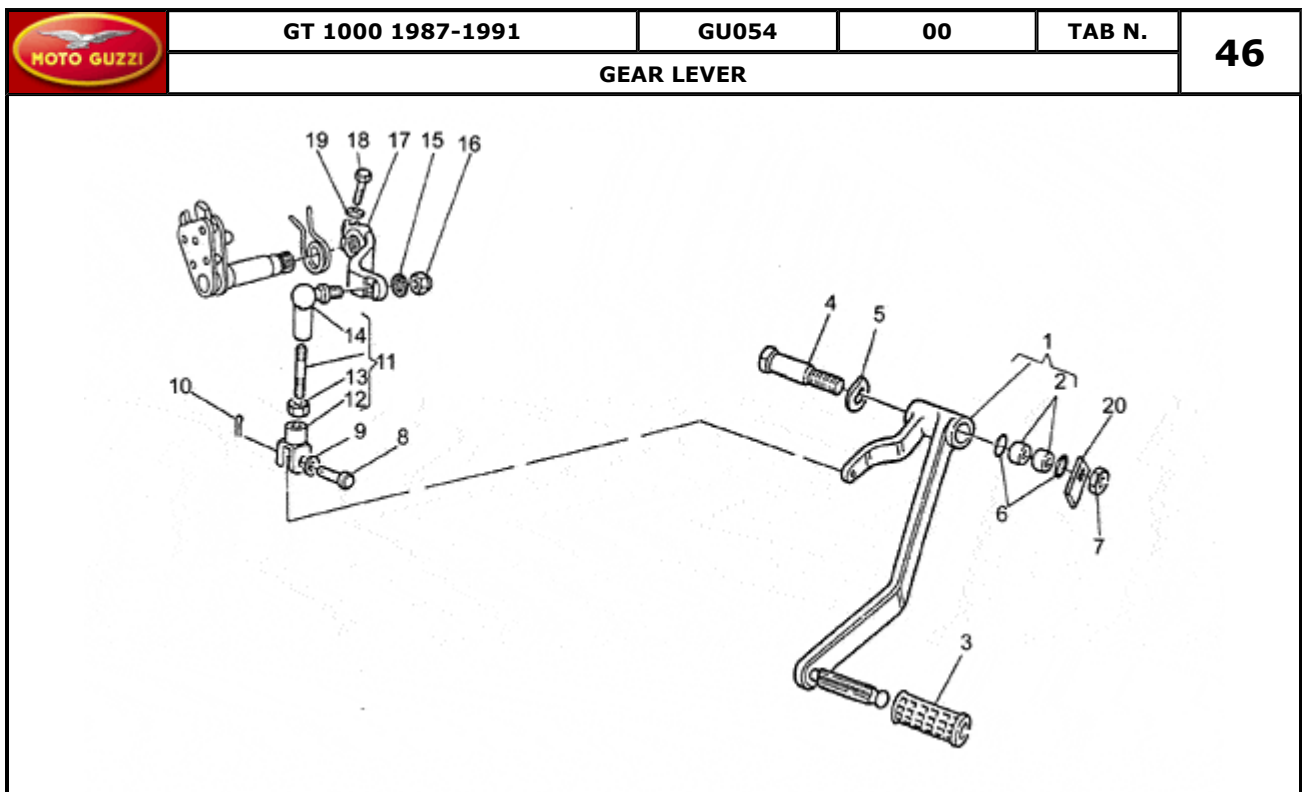


| Pos. | Description | Year | I_M | Country | Version | Code | Q.ty | P.Cod. |
|------|------------------------|------|-----|---------|---------|------------|------|--------|
| 1 | RH exhaust pipe | - | - | - | - | GU14120901 | 1 | |
| 2 | LH exhaust pipe | - | - | - | - | GU14120906 | 1 | |
| 3 | Gasket | - | - | - | - | GU90718370 | 2 | |
| 4 | Spacer | - | - | - | - | GU14121200 | 2 | |
| 5 | Flange | - | - | - | - | GU17121061 | 2 | |
| 6 | Washer 8,4X13X0,8 | - | - | - | - | GU14615901 | 4 | |
| 7 | Nut | - | - | - | - | GU92781081 | 4 | |
| 8 | Expansion chamber C295 | - | - | - | 2V | GU30123910 | 1 | |
| 9 | Hose clamp | - | - | - | - | GU14126900 | 2 | |
| 10 | RH silencer | - | - | - | - | GU29123000 | 1 | |
| 11 | Plate | - | - | - | 2V | GU28128633 | 1 | |
| 12 | Washer | - | - | - | - | GU95001208 | 4 | |
| 13 | Nut | - | - | - | - | GU92630508 | 6 | |
| 14 | Hex socket screw M8X25 | - | - | - | - | GU98622425 | 2 | |
| 15 | Spring washer 8x15x0,3 | - | - | - | - | GU61270300 | 2 | |
| 16 | Plate | - | - | - | 2V | GU28128733 | 1 | |
| 17 | Hose clamp | - | - | - | - | GU14123400 | 2 | |
| 18 | Protection | - | - | - | - | GU28121979 | 2 | |
| 19 | Spring washer 8x15x0,3 | - | - | - | - | GU61270300 | 4 | |
| 20 | Screw | - | - | - | - | GU98326009 | 4 | |
| 21 | LH silencer | - | - | - | - | GU29122900 | 1 | |
| 22 | Expansion chamber | - | - | - | 1V | GU17123962 | 1 | |
| 23 | RH plate | - | - | - | 1V | GU19128660 | 1 | |
| 24 | LH plate | - | - | - | 1V | GU19128760 | 1 | |

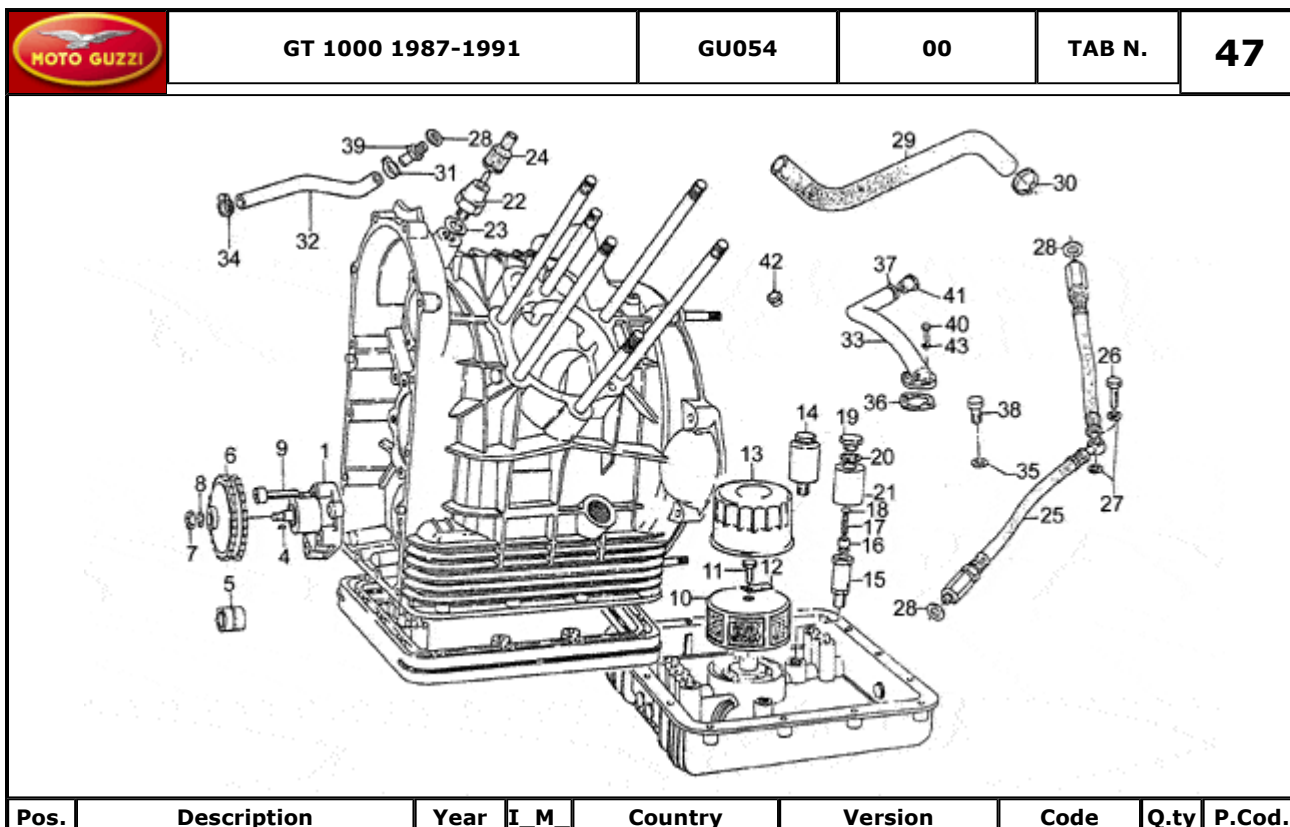


| Pos. | Description | Year | I_M | Country | Version | Code | Q.ty | P.Cod. |
|------|-------------------------|------|-----|---------|---------|------------|------|--------|
| 1 | RH exhaust pipe | - | - | - | - | GU29120950 | 1 | |
| 2 | LH exhaust pipe | - | - | - | - | GU29120951 | 1 | |
| 3 | Gasket | - | - | - | - | GU90718370 | 2 | |
| 4 | Spacer | - | - | - | - | GU14121200 | 2 | |
| 5 | Flange | - | - | - | - | GU17121061 | 2 | |
| 6 | Washer 8,4X13X0,8 | - | - | - | - | GU14615901 | 4 | |
| 7 | Nut | - | - | - | - | GU92781081 | 4 | |
| 8 | Expansion chamber C2938 | - | - | - | CT | GU29123938 | 1 | |
| | Expansion chamber C295 | - | - | - | - | GU30123910 | 1 | |
| 9 | Hose clamp | - | - | - | - | GU14126900 | 2 | |
| 10 | RH silencer | - | - | - | - | GU29123000 | 1 | |
| 11 | Plate | - | - | - | - | GU28128633 | 1 | |
| 12 | Washer | - | - | - | - | GU95001208 | 4 | |
| 13 | Nut | - | - | - | - | GU92630508 | 6 | |
| 14 | Hex socket screw M8X25 | - | - | - | - | GU98622425 | 2 | |
| 15 | Spring washer 8x15x0,3 | - | - | - | - | GU61270300 | 2 | |
| 16 | Plate | - | - | - | - | GU28128733 | 1 | |
| 17 | Hose clamp | - | - | - | - | GU14123400 | 2 | |
| 18 | Protection | - | - | - | - | GU28121979 | 2 | |
| 19 | Spring washer 8x15x0,3 | - | - | - | - | GU61270300 | 4 | |
| 20 | Screw | - | - | - | - | GU98326009 | 4 | |
| 21 | LH silencer | - | - | - | - | GU29122900 | 1 | |

|  | | GT 1000 1987-1991 | | GU054 | 00 | TAB N. | 45 | |
|------------------------------------------------------------------------------------|----------------------------|---------------------|-----|---------|---------|------------|------|--------|
| | | VALEO STARTER MOTOR | | | | | | |
|  | | | | | | | | |
| Pos. | Description | Year | I_M | Country | Version | Code | Q.ty | P.Cod. |
| 1 | Starter motor | - | - | - | - | GU30730710 | 1 | |
| 2 | Protection | - | - | - | - | GU30733310 | 1 | |
| 3 | Pinion assy | - | - | - | - | GU30530510 | 1 | |
| 4 | Brush revision set | - | - | - | - | GU30530511 | 1 | |
| 9 | Starter motor revision kit | - | - | - | - | GU30530512 | 1 | |
| 10 | Hex screw M8X75 | - | - | - | - | GU98052475 | 2 | |
| 11 | Washer | - | - | - | - | GU95004208 | 2 | |
| 12 | Nut M8X1,25 | - | - | - | - | GU92602208 | 2 | |

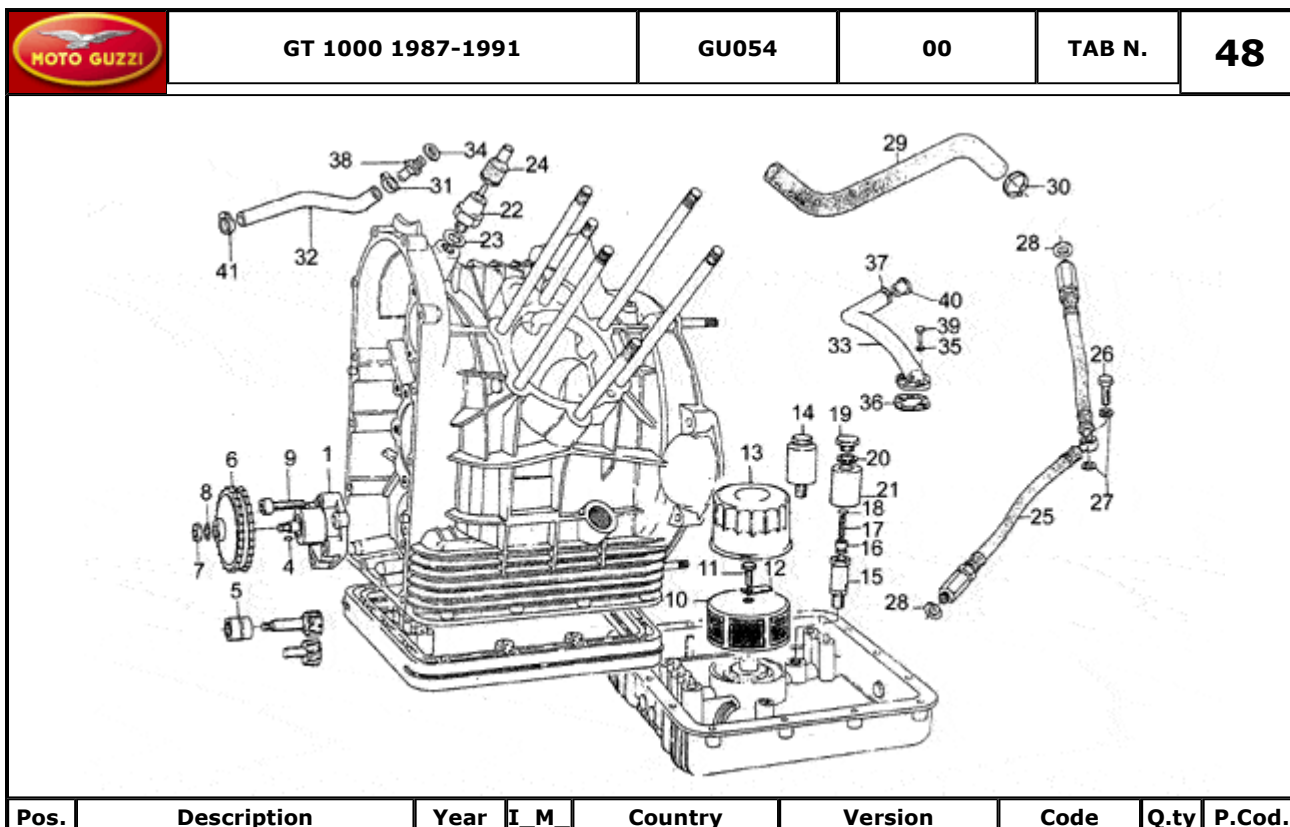


| Pos. | Description | Year | I_M_ | Country | Version | Code | Q.ty | P.Cod. |
|------|----------------------------|------|------|---------|---------|------------|------|--------|
| 1 | Gear lever | - | - | - | - | GU30250810 | 1 | |
| 2 | Bush | - | - | - | - | GU28252010 | 2 | |
| 3 | Rubber spacer | - | - | - | - | GU14251001 | 1 | |
| 4 | Screw | - | - | - | - | GU30252360 | 1 | |
| 5 | Washer | - | - | - | - | GU95100409 | 1 | |
| 6 | O-ring | - | - | - | - | GU90706108 | 2 | |
| 7 | Nut | - | - | - | - | GU92701120 | 1 | |
| 8 | Pin | - | - | - | - | GU95770265 | 1 | |
| 9 | Washer | - | - | - | - | GU95129110 | 1 | |
| 10 | Split pin | - | - | - | - | GU95500222 | 1 | |
| 11 | Change gear tie rod compl. | - | - | - | - | GU28257845 | 1 | |
| 12 | Fork | - | - | - | - | GU12626800 | 1 | |
| 13 | Nut | - | - | - | - | GU92602206 | 1 | |
| 14 | Fork | - | - | - | - | GU28258160 | 1 | |
| 15 | Special washer | - | - | - | - | GU61013800 | 1 | |
| 16 | Nut M6x1 | - | - | - | - | GU92630106 | 1 | |
| 17 | Lever | - | - | - | - | GU18258201 | 1 | |
| 18 | Screw | - | - | - | - | GU98052325 | 1 | |
| 19 | Notched washer | - | - | - | - | GU95021106 | 1 | |
| 20 | Safety plate | - | - | - | - | GU95184014 | 1 | |



| Pos. | Description | Year | I_M | Country | Version | Code | Q.ty | P.Cod. |
|------|-------------------------|------|-----|---------|---------|------|------------|--------|
| 1 | Oil pump | - | - | - | M10 | - | GU30146400 | 1 |
| | Oil pump assy. | - | - | - | M9 | - | GU13146402 | 1 |
| 4 | Transmission key | - | - | - | - | - | GU13148300 | 1 |
| 5 | Roller bearing 10x22x20 | - | - | - | - | - | GU92252210 | 1 |
| 6 | Oil pump gear | - | - | - | M9 | - | GU13147701 | 1 |
| | Oil pump gear | - | - | - | M10 | - | GU30147700 | 1 |
| 7 | Nut | - | - | - | - | - | GU92602308 | 1 |
| 8 | Spring washer | - | - | - | - | - | GU95120085 | 1 |
| 9 | Screw M8X30 | - | - | - | - | - | GU98622430 | 4 |
| 10 | Oil filter | - | - | - | - | - | GU14152200 | 1 |
| 11 | Hex screw M6X16 | - | - | - | - | - | GU98054316 | 1 |
| 12 | Plate | - | - | - | - | - | GU95187006 | 1 |
| 13 | Oil filter 61 mm | - | - | - | - | - | GU14153000 | 1 |
| 14 | Oil valve cpl. | - | - | - | - | - | GU14158200 | 1 |
| 15 | Valve body | - | - | - | - | - | GU10158701 | 1 |
| 16 | Piston | - | - | - | - | - | GU12150900 | 1 |
| 17 | Valve spring | - | - | - | - | - | GU94321072 | 1 |
| 18 | Bottom | - | - | - | - | - | GU12150700 | 1 |
| 19 | Plug | - | - | - | - | - | GU12159000 | 1 |
| 20 | Washer 14,5X20X1 | - | - | - | - | - | GU95100523 | 2 |
| 21 | Cup | - | - | - | - | - | GU14158800 | 1 |
| 22 | Pressure sensor | - | - | - | - | - | GU17768750 | 1 |
| 23 | Gasket 12,25 | - | - | - | - | - | GU12006400 | 1 |
| 24 | Cap | - | - | - | - | - | GU12717600 | 1 |
| 25 | Pipe | - | - | - | - | - | GU01153600 | 1 |
| 26 | Screw | - | - | - | - | - | GU95990037 | 5 |
| 27 | Gasket 8,25x15x1 | - | - | - | - | - | GU12154200 | 2 |
| 28 | Gasket | - | - | - | - | - | GU25656102 | 4 |
| 29 | Pipe | - | - | - | - | - | GU28157450 | 1 |
| 30 | Hose clamp | - | - | - | - | - | GU12157800 | 2 |
| 31 | Hose clamp | - | - | - | - | - | GU93305017 | 2 |
| 32 | Pipe | - | - | - | - | - | GU28157560 | 2 |
| 33 | Breather pipe | - | - | - | - | - | GU28007250 | 1 |

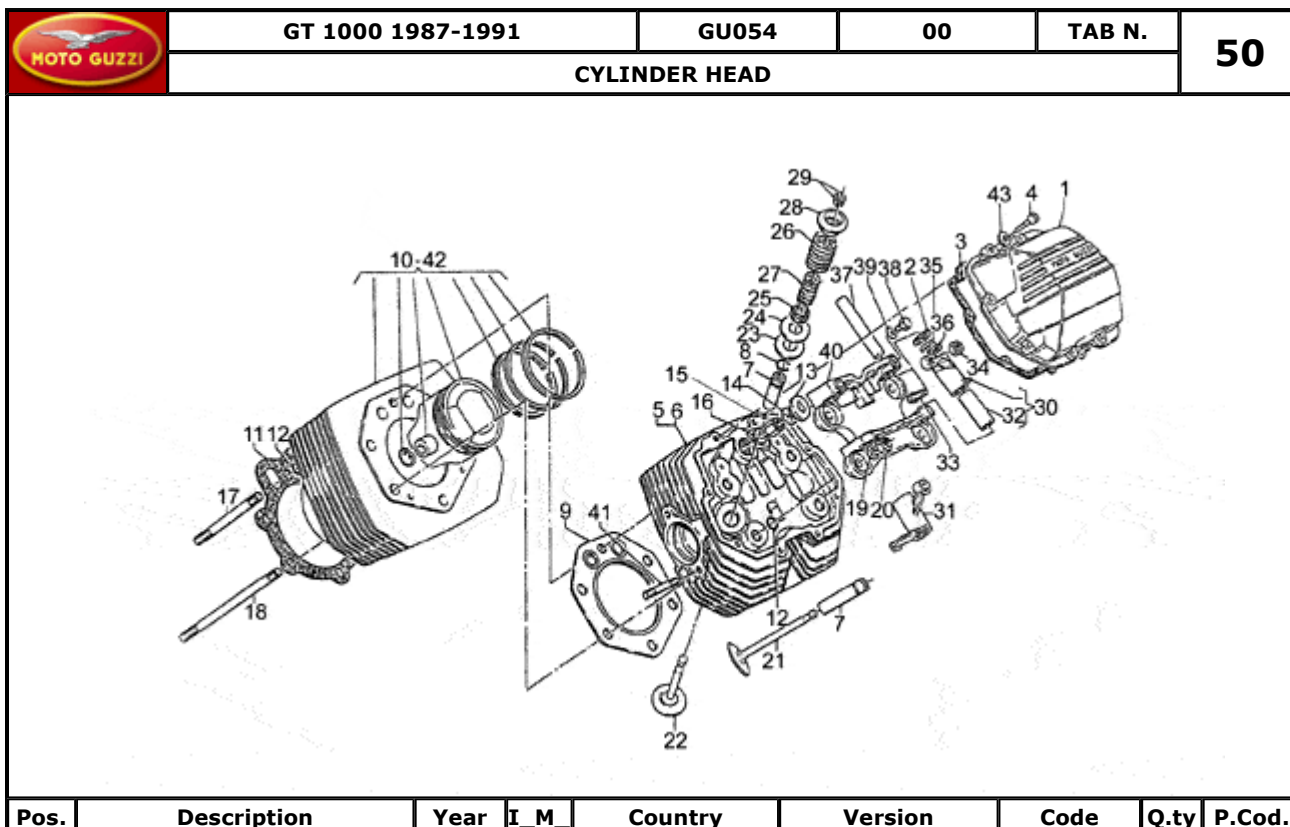
| | | | | | | | | |
|----|--------------------|---|---|---|---|---|------------|---|
| 34 | Hose clamp | - | - | - | - | - | GU28157950 | 2 |
| 35 | Gasket 12,25 | - | - | - | - | - | GU12006400 | 1 |
| 36 | Gasket | - | - | - | - | - | GU12007600 | 1 |
| 37 | Stop ring | - | - | - | - | - | GU65061300 | 1 |
| 38 | Plug | - | - | - | - | - | GU28006760 | 1 |
| 39 | Union | - | - | - | - | - | GU28153960 | 2 |
| 40 | Screw | - | - | - | - | - | GU98054318 | 2 |
| 41 | Oil breather valve | - | - | - | - | - | GU28150560 | 1 |
| 42 | Plug | - | - | - | - | - | GU93180245 | 1 |
| 43 | Washer 6,5x11x2 | - | - | - | - | - | GU95120065 | 2 |



| Pos. | Description | Year | I_M | Country | Version | Code | Q.ty | P.Cod. |
|------|-------------------------|------|-----|---------|---------|------------|------|--------|
| 1 | Oil pump | - | - | - | - | GU30146400 | 1 | |
| 4 | Transmission key | - | - | - | - | GU13148300 | 1 | |
| 5 | Roller bearing 10x22x20 | - | - | - | - | GU92252210 | 1 | |
| 6 | Oil pump gear | - | - | - | - | GU30147700 | 1 | |
| 7 | Nut | - | - | - | - | GU92602308 | 1 | |
| 8 | Spring washer | - | - | - | - | GU95120085 | 1 | |
| 9 | Screw M8X30 | - | - | - | - | GU98622430 | 4 | |
| 10 | Oil filter | - | - | - | - | GU14152200 | 1 | |
| 11 | Hex screw M6X16 | - | - | - | - | GU98054316 | 1 | |
| 12 | Plate | - | - | - | - | GU95187006 | 1 | |
| 13 | Oil filter 61 mm | - | - | - | - | GU14153000 | 1 | |
| 14 | Oil valve cpl. | - | - | - | - | GU14158200 | 1 | |
| 15 | Valve body | - | - | - | - | GU10158701 | 1 | |
| 16 | Piston | - | - | - | - | GU12150900 | 1 | |
| 17 | Valve spring | - | - | - | - | GU94321072 | 1 | |
| 18 | Bottom | - | - | - | - | GU12150700 | 1 | |
| 19 | Plug | - | - | - | - | GU12159000 | 1 | |
| 20 | Washer 14,5X20X1 | - | - | - | - | GU95100523 | 2 | |
| 21 | Cup | - | - | - | - | GU14158800 | 1 | |
| 22 | Pressure sensor | - | - | - | - | GU17768750 | 1 | |
| 23 | Gasket 12,25 | - | - | - | - | GU12006400 | 1 | |
| 24 | Cap | - | - | - | - | GU12717600 | 1 | |
| 25 | Pipe | - | - | - | - | GU14153660 | 1 | |
| 26 | Screw | - | - | - | - | GU95990037 | 5 | |
| 27 | Gasket 8,25x15x1 | - | - | - | - | GU12154200 | 2 | |
| 28 | Gasket | - | - | - | - | GU25656102 | 2 | |
| 29 | Pipe | - | - | - | - | GU28157450 | 1 | |
| 30 | Hose clamp | - | - | - | - | GU28157850 | 1 | |
| 31 | Hose clamp | - | - | - | - | GU93305017 | 2 | |
| 32 | Pipe | - | - | - | - | GU28157560 | 2 | |
| 33 | Breather pipe | - | - | - | - | GU28007250 | 1 | |
| 34 | Gasket | - | - | - | - | GU25656102 | 2 | |
| 35 | Washer 6,5x11x2 | - | - | - | - | GU95120065 | 2 | |

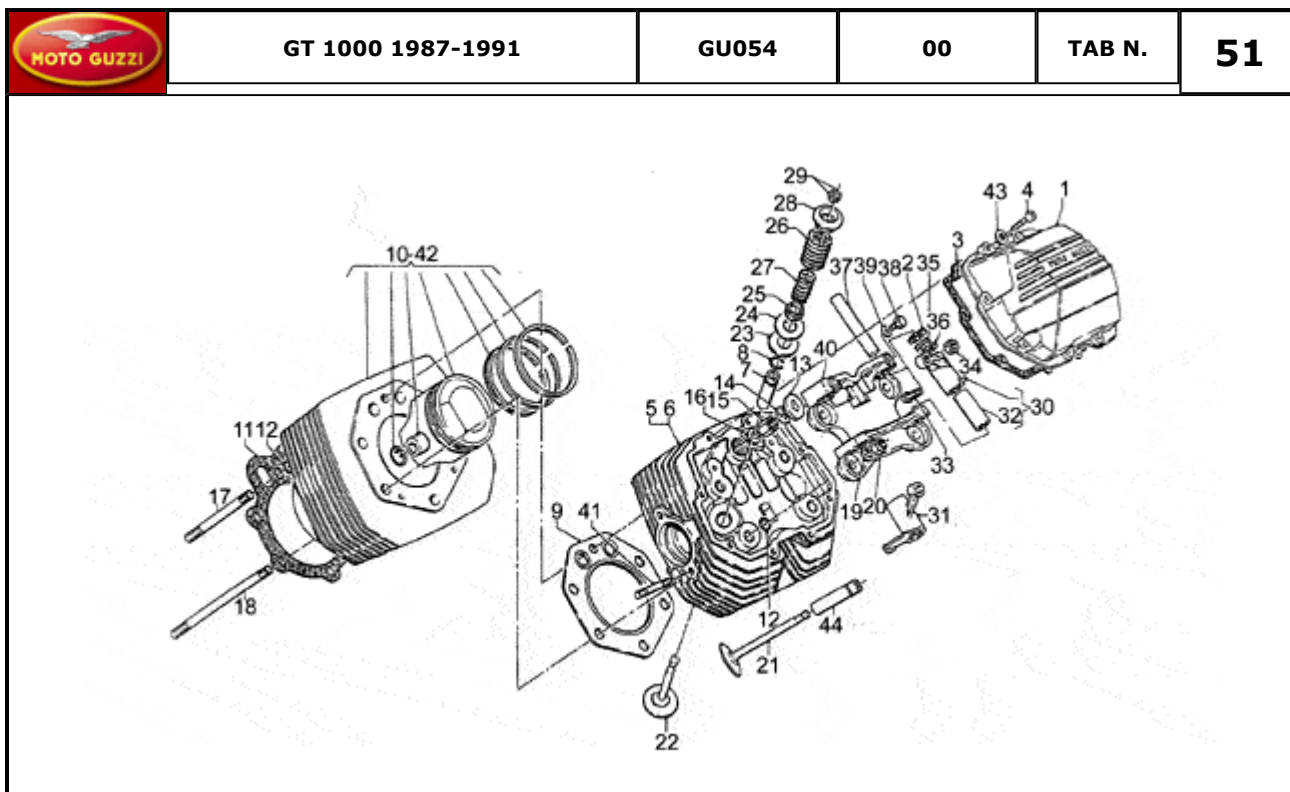
| | | | | | | | | |
|----|--------------------|---|---|---|---|---|------------|---|
| 36 | Gasket | - | - | - | - | - | GU12007600 | 1 |
| 37 | Stop ring | - | - | - | - | - | GU65061300 | 1 |
| 38 | Union | - | - | - | - | - | GU28153960 | 2 |
| 39 | Screw | - | - | - | - | - | GU98054318 | 2 |
| 40 | Oil breather valve | - | - | - | - | - | GU28150560 | 1 |
| 41 | Hose clamp | - | - | - | - | - | GU28157950 | 2 |

| MOTO GUZZI | | GT 1000 1987-1991 | GU054 | 00 | TAB N. | 49 | | |
|-------------------|----------------------------|-------------------|-------|---------|---------|------------|------|--------|
| TRANSMISSION CAGE | | | | | | | | |
| | | | | | | | | |
| Pos. | Description | Year | I_M_ | Country | Version | Code | Q.ty | P.Cod. |
| 1 | Gearbox, blank | - | - | - | - | GU14200211 | 1 | |
| 2 | Gasket ring 35x47x7 | - | - | - | - | GU90403547 | 1 | |
| 3 | Roller bearing 17x35x15 | - | - | - | - | GU92256218 | 2 | |
| 4 | Plate | - | - | - | - | GU14213803 | 2 | |
| 5 | Hex socket screw M6X16 | - | - | - | - | GU98622316 | 6 | |
| 6 | Washer 6,4x10x0,7 | - | - | - | - | GU14217901 | 6 | |
| 7 | Ball bearing AF/AS 25x52 | - | - | - | - | GU92218424 | 2 | |
| 8 | Roller bearing AS 17x47x14 | - | - | - | - | GU92234717 | 1 | |
| 9 | Pin | - | - | - | - | GU95512081 | 2 | |
| 10 | Gasket | - | - | - | - | GU14201110 | 1 | |
| 11 | Box cover, blank | - | - | - | - | GU18200801 | 1 | |
| 12 | O-ring 13,95x2,92 | - | - | - | - | GU90706140 | 1 | |
| 13 | Ball bearing AP 17x47x14 | - | - | - | - | GU92201417 | 1 | |
| 14 | Screw | - | - | - | - | GU14237800 | 1 | |
| 15 | Low nut M12x1,25 | - | - | - | - | GU92602512 | 1 | |
| 16 | Hex socket screw M6X25 | - | - | - | - | GU98622325 | 9 | |
| 17 | Screw M6X35 | - | - | - | - | GU98620335 | 1 | |
| 18 | Neutral indicator switch | - | - | - | - | GU12207200 | 1 | |
| 19 | Gasket | - | - | - | - | GU12207700 | 1 | |
| 20 | Washer 6,4x10x0,7 | - | - | - | - | GU14217901 | 2 | |
| 21 | Screw | - | - | - | - | GU98822316 | 2 | |
| 22 | Plug | - | - | - | - | GU93180220 | 1 | |
| 23 | Oil plug | - | - | - | - | GU19351200 | 1 | |
| 24 | O-ring 20,24X2,62 | - | - | - | - | GU90706203 | 1 | |
| 25 | Oil level plug | - | - | - | - | GU95980214 | 2 | |
| 26 | Gasket | - | - | - | - | GU10528900 | 3 | |
| 27 | Oil breather valve | - | - | - | - | GU14204955 | 1 | |
| 28 | Pipe | - | - | - | - | GU28157560 | 1 | |
| 29 | Lever return spring | - | - | - | - | GU94321067 | 1 | |
| 30 | Pawl | - | - | - | - | GU17234760 | 1 | |
| 31 | Gasket ring 35x47x7/6,5 | - | - | - | - | GU90403548 | 1 | |
| 32 | Stud bolt | - | - | - | - | GU96508032 | 2 | |
| 33 | Gasket 8,25x15x1 | - | - | - | - | GU12154200 | 1 | |
| 34 | Magnetic oil drain plug | - | - | - | - | GU30205200 | 1 | |
| 35 | Screw | - | - | - | - | GU98822325 | 1 | |
| 36 | Plug | - | - | - | - | GU93180245 | 1 | |
| 37 | Gearbox assy., blank | - | - | - | - | GU28991560 | 1 | |



| Pos. | Description | Year | I_M | Country | Version | Code | Q.ty | P.Cod. |
|------|-------------------------|------|-----|---------|---------|------------|------|--------|
| 1 | Valves cover, stain. | - | - | - | - | GU29023550 | 2 | |
| 2 | Washer 15,2x26x0,5 | - | - | - | - | GU10032700 | 4 | |
| 3 | Cover gasket | - | - | - | - | GU14023760 | 2 | |
| 4 | Hex socket screw M6X25 | - | - | - | - | GU98622325 | 16 | |
| 5 | RH cylinder head, blank | - | - | - | - | GU28022145 | 1 | |
| 6 | LH cylinder head, blank | - | - | - | - | GU28022245 | 1 | |
| 7 | Exhaust valve guide | - | - | - | - | GU13036801 | 2 | |
| 8 | Snap ring | - | - | - | - | GU90353016 | 4 | |
| 9 | Gasket | - | - | - | - | GU14022065 | 2 | |
| 10 | RH cylinder assy | - | - | - | - | GU29060201 | 1 | |
| 11 | Gasket | - | - | - | - | GU14020865 | 2 | |
| 12 | O-ring 9x2 | - | - | - | - | GU90706094 | 12 | |
| 13 | Oil plug | - | - | - | - | GU12022600 | 2 | |
| 14 | O-ring 20,24X2,62 | - | - | - | - | GU90706203 | 2 | |
| 15 | Column nut | - | - | - | - | GU13021900 | 2 | |
| 16 | Washer 10,5X18X0,8 | - | - | - | - | GU95129180 | 2 | |
| 17 | Stud bolt | - | - | - | - | GU12021800 | 4 | |
| 18 | Stud bolt | - | - | - | - | GU12021700 | 8 | |
| 19 | Washer 10,5X21X1 | - | - | - | - | GU14018400 | 10 | |
| 20 | Nut M10X1,5 | - | - | - | - | GU92603010 | 10 | |
| 21 | Intake valve | - | - | - | - | GU29036050 | 2 | |
| 22 | Exhaust valve | - | - | - | - | GU13036100 | 2 | |
| 23 | Washer 14,2x31x1 | - | - | - | - | GU13037200 | 4 | |
| 24 | Washer 14,2x31x0,3 | - | - | - | - | GU14037300 | 10 | |
| 25 | Lower cup | - | - | - | - | GU13037000 | 4 | |
| 26 | Outer spring | - | - | - | - | GU13037400 | 4 | |
| 27 | Inner spring | - | - | - | - | GU13037600 | 4 | |
| 28 | Upper cup | - | - | - | - | GU14038000 | 4 | |
| 29 | Valve half-cone | - | - | - | - | GU12038100 | 8 | |
| 30 | RH rocker arm assy | - | - | - | - | GU14030200 | 2 | |
| 31 | LH rocker arm assy | - | - | - | - | GU14030400 | 2 | |
| 32 | Bush 15x18x43 | - | - | - | - | GU91111511 | 4 | |
| 33 | Adjuster screw | - | - | - | - | GU17034050 | 4 | |

| | | | | | | | | |
|----|--------------------|---|---|---|---|---|------------|----|
| 34 | Nut | - | - | - | - | - | GU10034100 | 4 |
| 35 | Spring | - | - | - | - | - | GU94322215 | 4 |
| 36 | Washer 15,2x26x1 | - | - | - | - | - | GU90118152 | 8 |
| 37 | Rocker shaft | - | - | - | - | - | GU12031800 | 4 |
| 38 | Hex screw M6X16 | - | - | - | - | - | GU98054316 | 4 |
| 39 | Washer 6,5x11x2 | - | - | - | - | - | GU95120065 | 4 |
| 40 | Rocker arm support | - | - | - | - | - | GU14034865 | 2 |
| 41 | Stud bolt | - | - | - | - | - | GU96508042 | 4 |
| 42 | LH cylinder assy | - | - | - | - | - | GU29060101 | 1 |
| 43 | Washer 6,15x11x0,8 | - | - | - | - | - | GU95004206 | 16 |



| Pos. | Description | Year | I_M | Country | Version | Code | Q.ty | P.Cod. |
|------|--------------------------------|------|-----|---------|---------|------------|------|--------|
| 1 | Valve cover, blank | - | - | - | - | GU14023560 | 2 | |
| 2 | Washer 15,2x26x0,5 | - | - | - | - | GU10032700 | 4 | |
| 3 | Cover gasket | - | - | - | - | GU14023760 | 2 | |
| 4 | Hex socket screw M6X25 | - | - | - | - | GU98622325 | 16 | |
| 5 | RH head | - | - | - | - | GU30022110 | 1 | |
| 6 | LH head | - | - | - | - | GU30022210 | 1 | |
| 7 | Exhaust valve guide | - | - | - | - | GU13036801 | 2 | |
| 8 | Snap ring | - | - | - | - | GU90353016 | 4 | |
| 9 | Gasket | - | - | - | - | GU14022065 | 2 | |
| 10 | Cylinder with piston assy., RH | - | - | - | - | GU30060110 | 1 | |
| 11 | Gasket | - | - | - | - | GU14020865 | 2 | |
| 12 | Ring | - | - | - | - | GU90706090 | 12 | |
| 13 | Oil plug | - | - | - | - | GU12022600 | 2 | |
| 14 | O-ring 20,24X2,62 | - | - | - | - | GU90706203 | 2 | |
| 15 | Column nut | - | - | - | - | GU13021900 | 2 | |
| 16 | Washer 10,5X18X0,8 | - | - | - | - | GU95129180 | 2 | |
| 17 | Stud bolt | - | - | - | - | GU12021800 | 4 | |
| 18 | Stud bolt | - | - | - | - | GU12021700 | 8 | |
| 19 | Washer 10,5X21X1 | - | - | - | - | GU14018400 | 10 | |
| 20 | Nut M10X1,5 | - | - | - | - | GU92603010 | 10 | |
| 21 | Intake valve | - | - | - | - | GU14036050 | 2 | |
| 22 | Exhaust valve | - | - | - | - | GU14036150 | 2 | |
| 23 | Washer 14,2x31x1 | - | - | - | - | GU13037200 | 4 | |
| 24 | Washer 14,2x31x0,3 | - | - | - | - | GU14037300 | 10 | |
| 25 | Lower cup | - | - | - | - | GU13037000 | 4 | |
| 26 | Outer spring | - | - | - | - | GU13037400 | 4 | |
| 27 | Inner spring | - | - | - | - | GU13037600 | 4 | |
| 28 | Upper cup | - | - | - | - | GU14038000 | 4 | |
| 29 | Valve half-cone | - | - | - | - | GU12038100 | 8 | |
| 30 | RH rocker arm assy | - | - | - | - | GU14030200 | 2 | |
| 31 | LH rocker arm assy | - | - | - | - | GU14030400 | 2 | |
| 32 | Bush 15x18x43 | - | - | - | - | GU91111511 | 4 | |
| 33 | Adjuster screw | - | - | - | - | GU17034050 | 4 | |

| | | | | | | | | |
|----|--------------------------------|---|---|---|---|---|------------|----|
| 34 | Nut | - | - | - | - | - | GU10034100 | 4 |
| 35 | Spring | - | - | - | - | - | GU94322215 | 4 |
| 36 | Washer 15,2x26x1 | - | - | - | - | - | GU90118152 | 8 |
| 37 | Rocker shaft | - | - | - | - | - | GU12031800 | 4 |
| 38 | Hex screw M6X16 | - | - | - | - | - | GU98054316 | 4 |
| 39 | Washer 6,5x11x2 | - | - | - | - | - | GU95120065 | 4 |
| 40 | Rocker arm support | - | - | - | - | - | GU14034865 | 2 |
| 41 | Stud bolt | - | - | - | - | - | GU96508042 | 4 |
| 42 | Cylinder with piston assy., LH | - | - | - | - | - | GU30060111 | 1 |
| 43 | Washer 6,15x11x0,8 | - | - | - | - | - | GU95004206 | 16 |
| 44 | Intake valve guide | - | - | - | - | - | GU14036860 | 2 |