
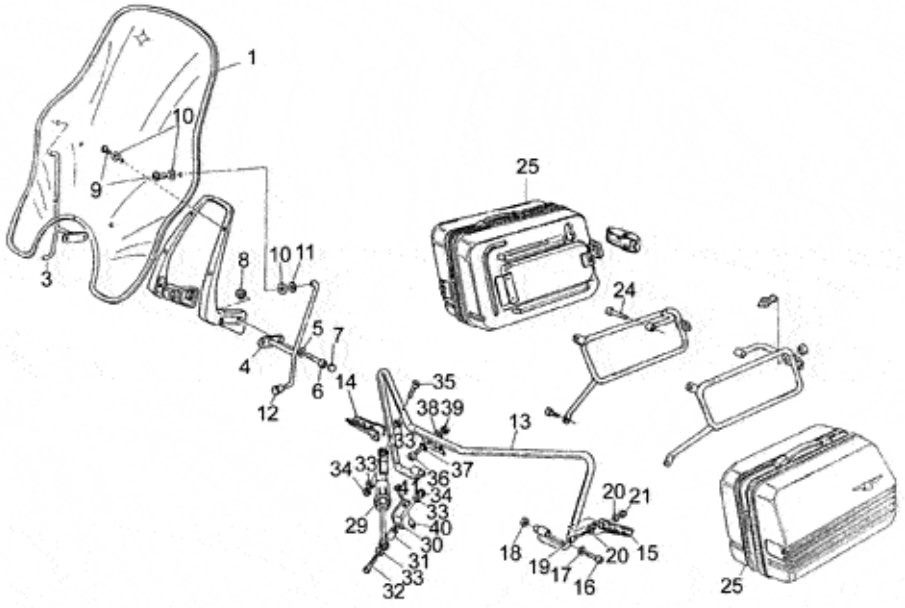
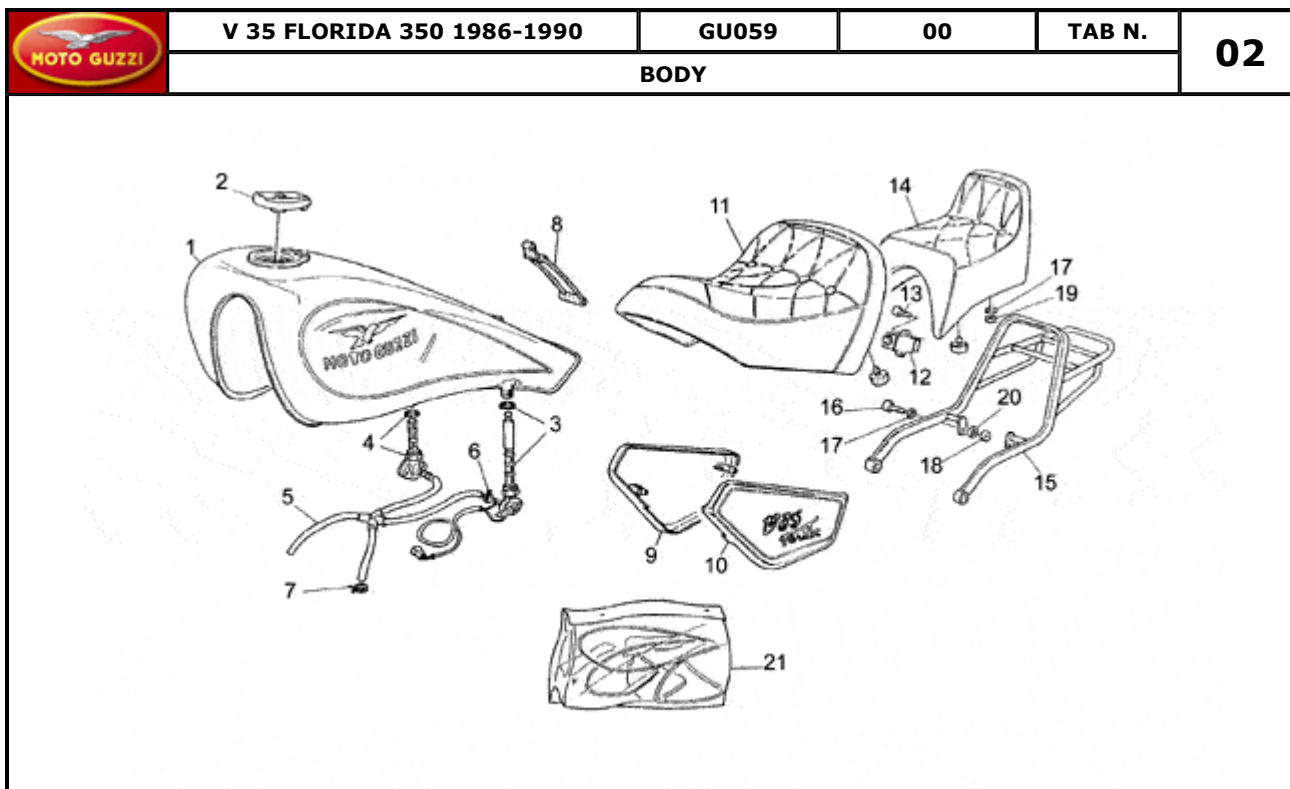
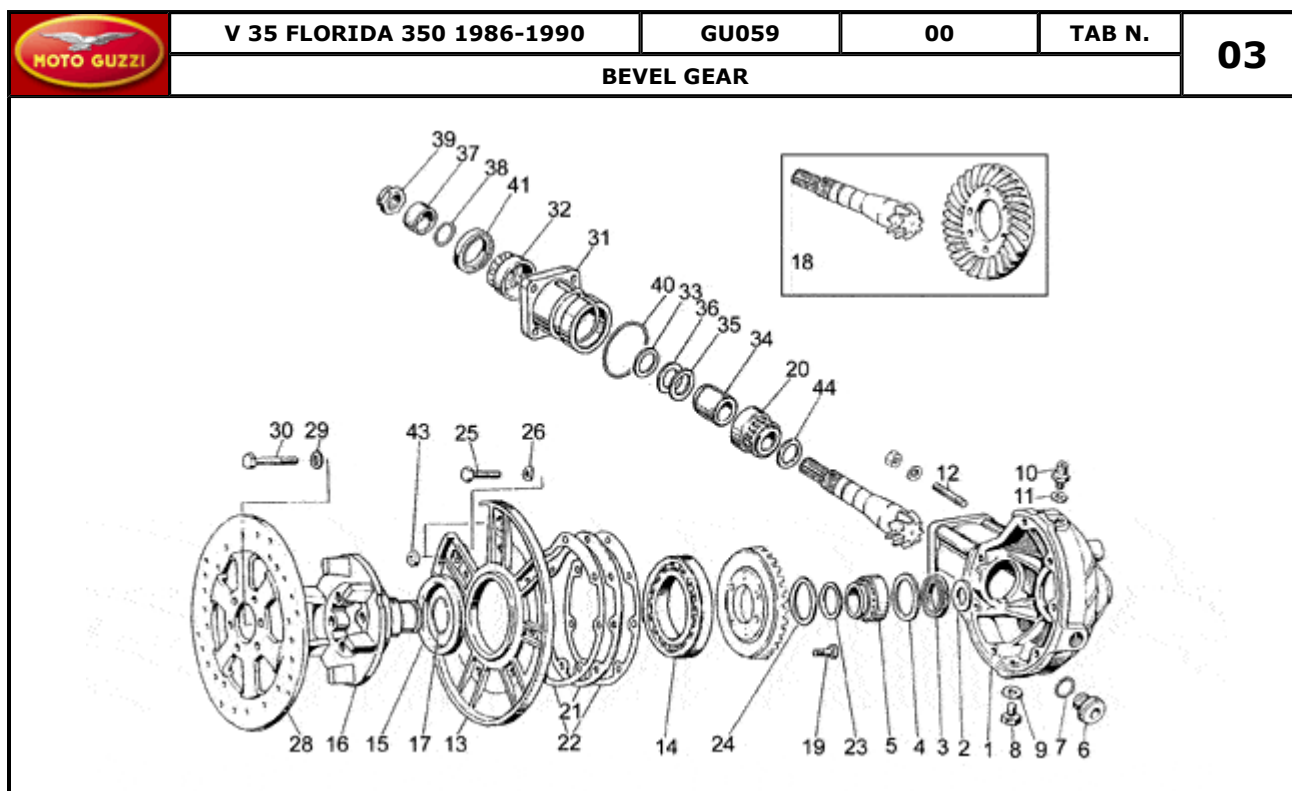




|  | | V 35 FLORIDA 350 1986-1990 | GU059 | 00 | TAB N. | 01 | | |
|--|-------------------------|----------------------------|-------|---------|---------|------------|------|--------|
| ACCESSORIES | | | | | | | | |
|  | | | | | | | | |
| Pos. | Description | Year | I_M_ | Country | Version | Code | Q.ty | P.Cod. |
| 1 | Windscreen | - | - | - | - | GU23577270 | 1 | |
| 3 | RH clamp | - | - | - | - | GU23506810 | 1 | |
| 4 | LH clamp | - | - | - | - | GU23506910 | 1 | |
| 5 | Washer 10,2x18x2 | - | - | - | - | GU95004210 | 2 | |
| 6 | Screw | - | - | - | - | GU98622530 | 2 | |
| 7 | Plug | - | - | - | - | GU23943510 | 2 | |
| 8 | Nut M10x1,5 | - | - | - | - | GU92630510 | 2 | |
| 9 | Screw | - | - | - | - | GU98326016 | 6 | |
| 10 | Rubber spacer | - | - | - | - | GU93110060 | 12 | |
| 11 | Washer 6,25X11X1 | - | - | - | - | GU95100119 | 2 | |
| 12 | Rubber spacer | - | - | - | - | GU23576910 | 2 | |
| 13 | Front bumper | - | - | - | - | GU23450210 | 1 | |
| 14 | RH footrest | - | - | - | - | GU23447610 | 1 | |
| 15 | LH footrest | - | - | - | - | GU23447710 | 1 | |
| 16 | Screw | - | - | - | - | GU98622545 | 2 | |
| 17 | Washer | - | - | - | - | GU95120105 | 2 | |
| 18 | Nut | - | - | - | - | GU92602210 | 2 | |
| 19 | Hex socket screw M6X50 | - | - | - | - | GU98620350 | 2 | |
| 20 | Washer 6,15x11x0,8 | - | - | - | - | GU95004206 | 4 | |
| 21 | Nut M6x1 | - | - | - | - | GU92630106 | 2 | |
| 24 | Screw | - | - | - | - | GU98820445 | 2 | |
| 25 | Cases kit GIVI | - | - | - | - | GU23999272 | 1 | |
| 29 | Steering shock absorber | - | - | - | - | GU17530260 | 1 | |
| 30 | Clamp | - | - | - | - | GU23531860 | 1 | |
| 31 | Spacer | - | - | - | - | GU23451170 | 1 | |
| 32 | Screw | - | - | - | - | GU98620340 | 1 | |
| 33 | Washer | - | - | - | - | GU95000206 | 4 | |
| 34 | Nut M6x1 | - | - | - | - | GU92630106 | 2 | |
| 35 | Screw M6X45 | - | - | - | - | GU98620345 | 1 | |
| 36 | Hex socket screw M8X25 | - | - | - | - | GU98622425 | 2 | |
| 37 | Spring washer | - | - | - | - | GU95021108 | 2 | |
| 38 | Washer | - | - | - | - | GU95000208 | 2 | |
| 39 | Nut M8X1,25 | - | - | - | - | GU92602208 | 2 | |
| 40 | Spacer | - | - | - | - | GU91181016 | 1 | |
| 41 | Screw | - | - | - | - | GU98072570 | 1 | |

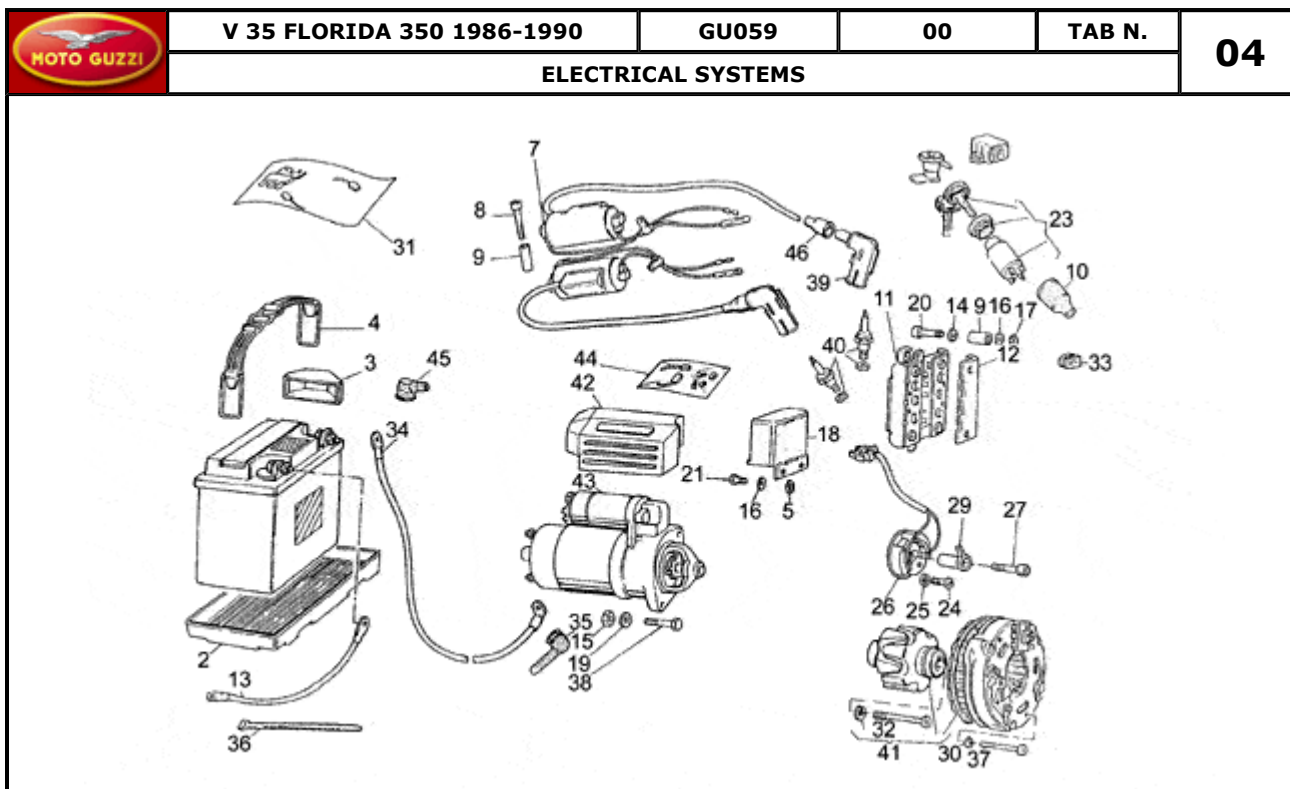


| Pos. | Description | Year | I_M_ | Country | Version | Code | Q.ty | P.Cod. |
|------|------------------------|------|------|---------|---------|----------------|------|--------|
| 1 | Fuel tank | - | - | - | - | gr GU311002601 | 1 | |
| 2 | Fuel filler cap | - | - | - | - | GU30103960 | 1 | |
| 3 | LH fuel cock | - | - | - | - | GU23105370 | 1 | |
| 4 | RH fuel cock | - | - | - | - | GU23105470 | 1 | |
| 5 | Fuel pipe union cap | - | - | - | - | GU13934600 | 1 | |
| 6 | Hose clamp | - | - | - | - | GU61108400 | 2 | |
| 7 | Hose clamp D9 | - | - | - | - | GU61108500 | 2 | |
| 8 | Tie rod | - | - | - | - | GU19102750 | 1 | |
| 9 | RH side cover blank | - | - | - | - | gr GU234762101 | 1 | |
| 10 | LH side cover blank | - | - | - | - | gr GU314763621 | 1 | |
| 11 | Driver saddle | - | - | - | - | GU23460510 | 1 | |
| 12 | Lock | - | - | - | - | GU27468720 | 1 | |
| 13 | Screw | - | - | - | - | GU98622214 | 2 | |
| 14 | Rear saddle | - | - | - | - | GU23464010 | 1 | |
| 15 | Luggage rack | - | - | - | - | GU23466611 | 1 | |
| 16 | Screw | - | - | - | - | GU98822422 | 2 | |
| 17 | Spring washer 8x15x0,3 | - | - | - | - | GU61270300 | 4 | |
| 18 | Nut | - | - | - | - | GU92630508 | 2 | |
| 19 | Nut M8X1,25 | - | - | - | - | GU92602208 | 2 | |
| 20 | Washer | - | - | - | - | GU95000208 | 2 | |
| 21 | Decal set | - | - | - | - | GU23923310 | 1 | |



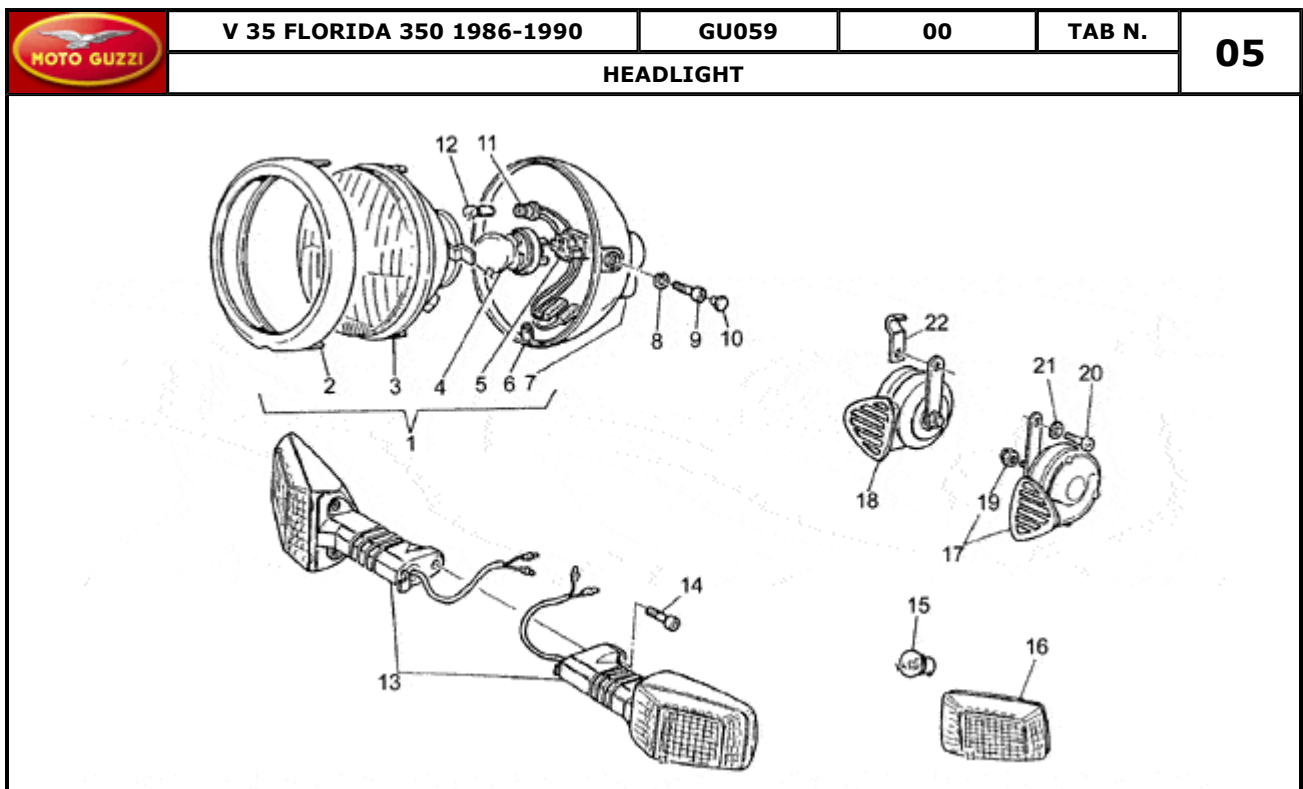
| Pos. | Description | Year | I_M | Country | Version | Code | Q.ty | P.Cod. |
|------|-------------------------|------|-----|---------|---------|------------|------|--------|
| 1 | Transmission cover | - | - | - | - | GU31350331 | 1 | |
| 2 | Clearance washer | - | - | - | - | GU19351900 | 1 | |
| 3 | Gasket ring 35x47x7 | - | - | - | - | GU90403547 | 1 | |
| 4 | Clearance washer | - | - | - | - | GU19351100 | 1 | |
| 5 | Roller bearing 35x50x17 | - | - | - | - | GU92252235 | 1 | |
| 6 | Oil filler plug | - | - | - | - | GU31351200 | 1 | |
| 7 | O-ring 20,24X2,62 | - | - | - | - | GU90706203 | 1 | |
| 8 | Plug | - | - | - | - | GU95980611 | 1 | |
| 9 | Gasket | - | - | - | - | GU10528900 | 1 | |
| 10 | Breather plug | - | - | - | - | GU31206500 | 1 | |
| 11 | Gasket | - | - | - | - | GU10528900 | 1 | |
| 12 | Stud bolt | - | - | - | - | GU96508055 | 4 | |
| 13 | Cover | - | - | - | - | GU19350421 | 1 | |
| 14 | Ball bearing 70x110x13 | - | - | - | - | GU92201070 | 1 | |
| 15 | Gasket ring 75x90x8 | - | - | - | - | GU90407590 | 1 | |
| 16 | Pin | - | - | - | - | GU19351401 | 1 | |
| 17 | Stop ring | - | - | - | - | GU90353030 | 1 | |
| 18 | Bevel gear Z=8/31 | - | - | - | - | GU20354621 | 1 | |
| 19 | Screw | - | - | - | - | GU19356320 | 6 | |
| 20 | Tap.roller bearing | - | - | - | - | GU92249223 | 1 | |
| 21 | Spacer 1,2 mm | - | - | - | - | GU19355408 | 1 | |
| | Spacer 1,6 mm | - | - | - | - | GU19355413 | 1 | |
| | Spacer 1,5 mm | - | - | - | - | GU19355412 | 1 | |
| | Spacer 1,3 mm | - | - | - | - | GU19355410 | 1 | |
| | Spacer 1,1 mm | - | - | - | - | GU19355406 | 1 | |
| | Spacer 1 mm | - | - | - | - | GU19355404 | 1 | |
| | Spacer 0,9 mm | - | - | - | - | GU19355402 | 1 | |
| | Spacer 0,8 mm | - | - | - | - | GU19355400 | 1 | |
| | Spacer 1,4 mm | - | - | - | - | GU19355411 | 1 | |
| 22 | Thrust washer | - | - | - | - | GU19352300 | 2 | |
| 23 | Thrust washer | - | - | - | - | GU19352300 | 1 | |
| 24 | Thrust washer | - | - | - | - | GU19353500 | 1 | |
| 25 | Screw M8X25 | - | - | - | - | GU19357660 | 7 | |

| | | | | | | | | |
|----|-------------------------|---|---|---|---|---|------------|----|
| 26 | Spring washer 8x15x0,3 | - | - | - | - | - | GU61270300 | 7 |
| 28 | Rear brake disc | - | - | - | - | - | GU19635736 | 1 |
| 29 | Washer 8,4X13X0,8 | - | - | - | - | - | GU14615901 | 6 |
| 30 | Screw | - | - | - | - | - | GU98054418 | 6 |
| 31 | Bearing casing | - | - | - | - | - | GU19352401 | 1 |
| 32 | Roller bearing 20x47x14 | - | - | - | - | - | GU92249220 | 1 |
| 33 | Spacer 1,2 mm | - | - | - | - | - | GU19355302 | 4 |
| | Spacer 1,9 mm | - | - | - | - | - | GU19355309 | 4 |
| | Spacer 1,8 mm | - | - | - | - | - | GU19355308 | 4 |
| | Spacer 1,7 mm | - | - | - | - | - | GU19355307 | 4 |
| | Spacer 1,6 mm | - | - | - | - | - | GU19355306 | 4 |
| | Spacer 1,5 mm | - | - | - | - | - | GU19355305 | 4 |
| | Spacer 1,3 mm | - | - | - | - | - | GU19355303 | 4 |
| | Spacer 1,1 mm | - | - | - | - | - | GU19355301 | 4 |
| | Spacer 1 mm | - | - | - | - | - | GU19355300 | 4 |
| | Spacer 1,4 mm | - | - | - | - | - | GU19355304 | 4 |
| 34 | Spacer | - | - | - | - | - | GU19355121 | 1 |
| 35 | Shim 0,1 mm | - | - | - | - | - | GU19355200 | 2 |
| 36 | Shim 0,15 mm | - | - | - | - | - | GU19355202 | 11 |
| 37 | Spacer | - | - | - | - | - | GU19356801 | 1 |
| 38 | Gasket ring 18,77X1,78 | - | - | - | - | - | GU90706188 | 1 |
| 39 | Nut | - | - | - | - | - | GU19356700 | 1 |
| 40 | Gasket ring | - | - | - | - | - | GU90706552 | 1 |
| 41 | Gasket ring | - | - | - | - | - | GU90403247 | 1 |
| 43 | Nut M8X1,25 | - | - | - | - | - | GU92602208 | 2 |
| 44 | Spacer 1 mm | - | - | - | - | - | GU19355320 | 2 |
| | Spacer 1,8 mm | - | - | - | - | - | GU19355328 | 2 |
| | Spacer 1,7 mm | - | - | - | - | - | GU19355327 | 2 |
| | Spacer 1,6 mm | - | - | - | - | - | GU19355326 | 2 |
| | Spacer 1,5 mm | - | - | - | - | - | GU19355325 | 2 |
| | Spacer 1,4 mm | - | - | - | - | - | GU19355324 | 2 |
| | Spacer 1,3 mm | - | - | - | - | - | GU19355323 | 2 |
| | Spacer 1,1 mm | - | - | - | - | - | GU19355321 | 2 |
| | Spacer 1,9 mm | - | - | - | - | - | GU19355329 | 2 |
| | Spacer 1,2 mm | - | - | - | - | - | GU19355322 | 2 |



| Pos. | Description | Year | I_M | Country | Version | Code | Q.ty | P.Cod. |
|------|--------------------------|------|-----|---------|---------|------------|------|--------|
| 2 | Float chamber | - | - | - | - | GU14707000 | 1 | |
| 3 | Accumulator fixing wedge | - | - | - | - | GU14705350 | 1 | |
| 4 | Clamp | - | - | - | - | GU19704800 | 1 | |
| 5 | Spacer | - | - | - | - | GU91180605 | 2 | |
| 7 | HT coil | - | - | - | - | GU31716560 | 2 | |
| 8 | Hex socket screw M5X45 | - | - | - | - | GU98620245 | 4 | |
| 9 | Spacer | - | - | - | - | GU91180627 | 8 | |
| 10 | Ring nut | - | - | - | - | GU19741336 | 1 | |
| 11 | Bosch rectifier | - | - | - | - | GU17704300 | 1 | |
| 12 | Cover | - | - | - | - | GU61704200 | 1 | |
| 13 | Ground-battery lead | - | - | - | - | GU19748400 | 1 | |
| 14 | Washer 6,4x12x1,2 | - | - | - | - | GU95100141 | 2 | |
| 15 | Nut M8X1,25 | - | - | - | - | GU92602208 | 1 | |
| 16 | Spring washer 5,3X10X0,5 | - | - | - | - | GU95129100 | 6 | |
| 17 | Nut | - | - | - | - | GU92602205 | 4 | |
| 18 | Voltage regulator BOSCH | - | - | - | - | GU29703800 | 1 | |
| 19 | Washer | - | - | - | - | GU95004208 | 2 | |
| 20 | Screw | - | - | - | - | GU98052245 | 4 | |
| 21 | Screw | - | - | - | - | GU98054214 | 2 | |
| 23 | Main switch | - | - | - | - | GU31735360 | 1 | |
| 24 | Screw | - | - | - | - | GU98290512 | 2 | |
| 25 | Washer | - | - | - | - | GU95000205 | 2 | |
| 26 | Phase/revolution sensor | - | - | - | - | GU29722270 | 1 | |
| 27 | Hex socket screw M6X18 | - | - | - | - | GU98622318 | 1 | |
| 29 | Rotor | - | - | - | - | GU27721037 | 1 | |
| 30 | Notched washer | - | - | - | - | GU95021105 | 3 | |
| 31 | Repairing kit | - | - | - | - | GU17712454 | 1 | |
| 32 | Screw | - | - | - | - | GU14712459 | 1 | |
| 33 | Rubber spacer | - | - | - | - | GU19007700 | 1 | |
| 34 | Wire | - | - | - | - | GU19748000 | 1 | |
| 35 | Cap | - | - | - | - | GU19707100 | 2 | |
| 36 | Hose clamp 3,6x20,6 | - | - | - | - | GU14609650 | 20 | |
| 37 | Hex socket screw M5X45 | - | - | - | - | GU98620245 | 3 | |

| | | | | | | | | |
|----|----------------------------|---|---|---|---|---|------------|---|
| 38 | Hex screw M8X35 | - | - | - | - | - | GU98052435 | 2 |
| 39 | Sparkplug cap | - | - | - | - | - | GU14717400 | 2 |
| 40 | Spark plug NGK B8ES | - | - | - | - | - | GU31717060 | 2 |
| 41 | Bosch alternator | - | - | - | - | - | GU17712400 | 1 |
| 42 | Protection | - | - | - | - | - | GU19733350 | 1 |
| 43 | Starter motor Valeo | - | - | - | - | - | GU30730711 | 1 |
| 44 | Starter motor revision kit | - | - | - | - | - | GU14730570 | 1 |
| 45 | Cap | - | - | - | - | - | GU23707100 | 1 |
| 46 | Cap | - | - | - | - | - | GU14717600 | 2 |



| Pos. | Description | Year | I_M | Country | Version | Code | Q.ty | P.Cod. |
|------|---------------------|------|-----|---------|---------|------------|------|--------|
| 1 | Headlight | - | - | - | - | GU28740533 | 1 | |
| 2 | Light frame | - | - | - | - | GU19740454 | 1 | |
| 3 | Optical group | - | - | - | - | GU18740435 | 1 | |
| 4 | Lamp 12V 45/40W | - | - | - | - | GU93450231 | 1 | |
| 5 | Lampholder | - | - | - | - | GU14756255 | 1 | |
| 6 | Headlight body | - | - | - | - | GU23740418 | 1 | |
| 7 | Rear cap plug | - | - | - | - | GU19740404 | 1 | |
| 8 | Washer 10,2x18x2 | - | - | - | - | GU95004210 | 2 | |
| 9 | Screw | - | - | - | - | GU98622530 | 2 | |
| 10 | Plug | - | - | - | - | GU23943510 | 2 | |
| 11 | Lampholder | - | - | - | - | GU17740405 | 1 | |
| 12 | Lamp 12V-4W | - | - | - | - | GU93450119 | 1 | |
| 13 | Turn indicator | - | - | - | - | GU23750670 | 2 | |
| 14 | Screw | - | - | - | - | GU98832320 | 2 | |
| 15 | Lamp 12V-10W | - | - | - | - | GU93450127 | 2 | |
| 16 | Turn indicator lens | - | - | - | - | GU23753710 | 2 | |
| 17 | Horn | - | - | - | - | GU29743752 | 1 | |
| 18 | Horn | - | - | - | - | GU29743753 | 1 | |
| 19 | Nut | - | - | - | - | GU92602206 | 2 | |
| 20 | Screw | - | - | - | - | GU98822314 | 2 | |
| 21 | Washer | - | - | - | - | GU95000206 | 2 | |
| 22 | U-bolt | - | - | - | - | GU93301313 | 1 | |



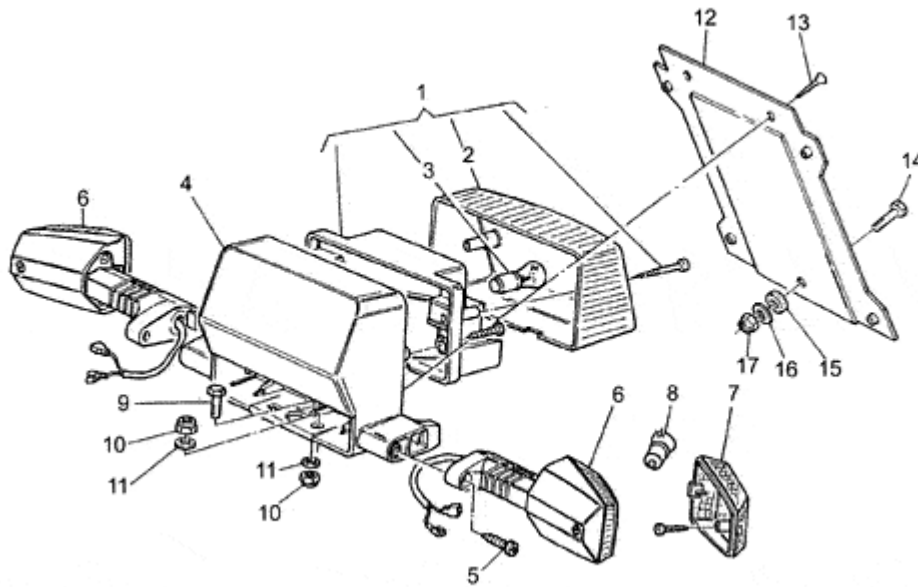
V 35 FLORIDA 350 1986-1990

GU059

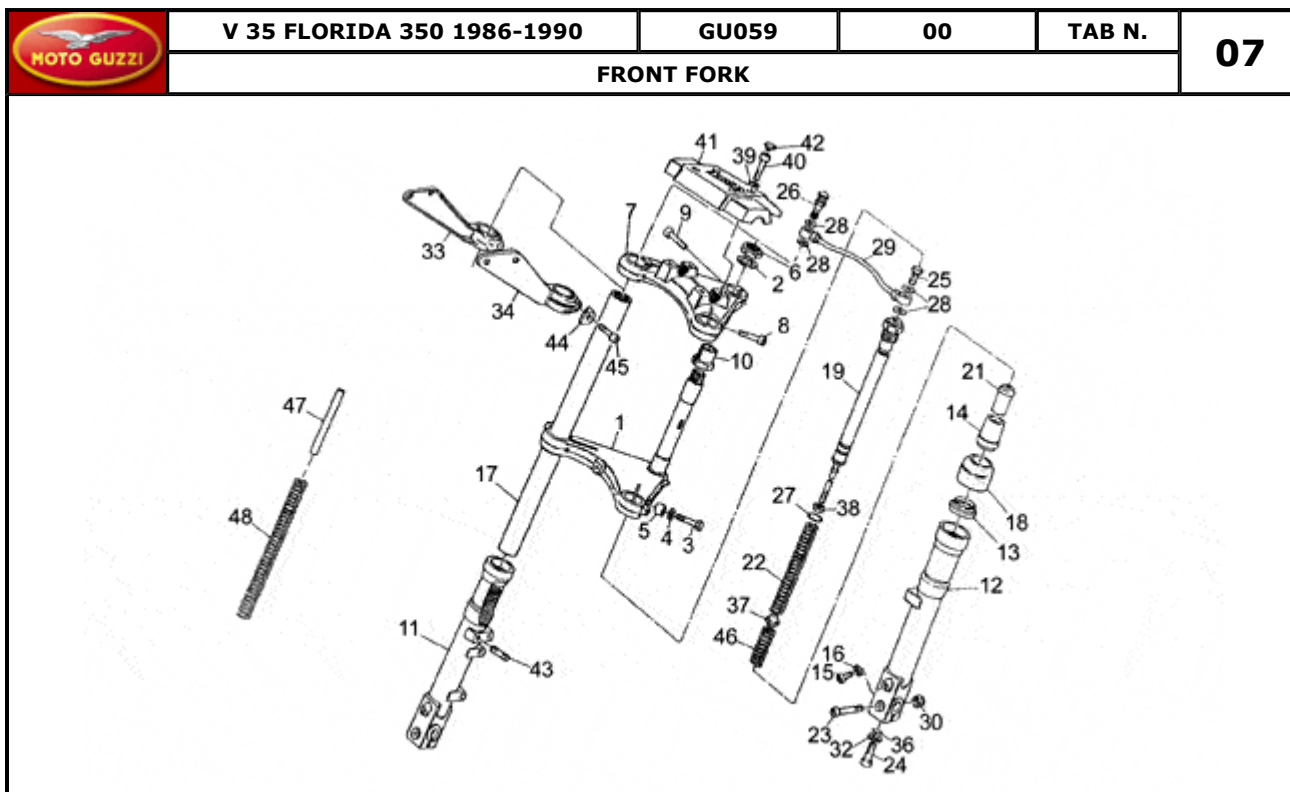
00

TAB N.

06

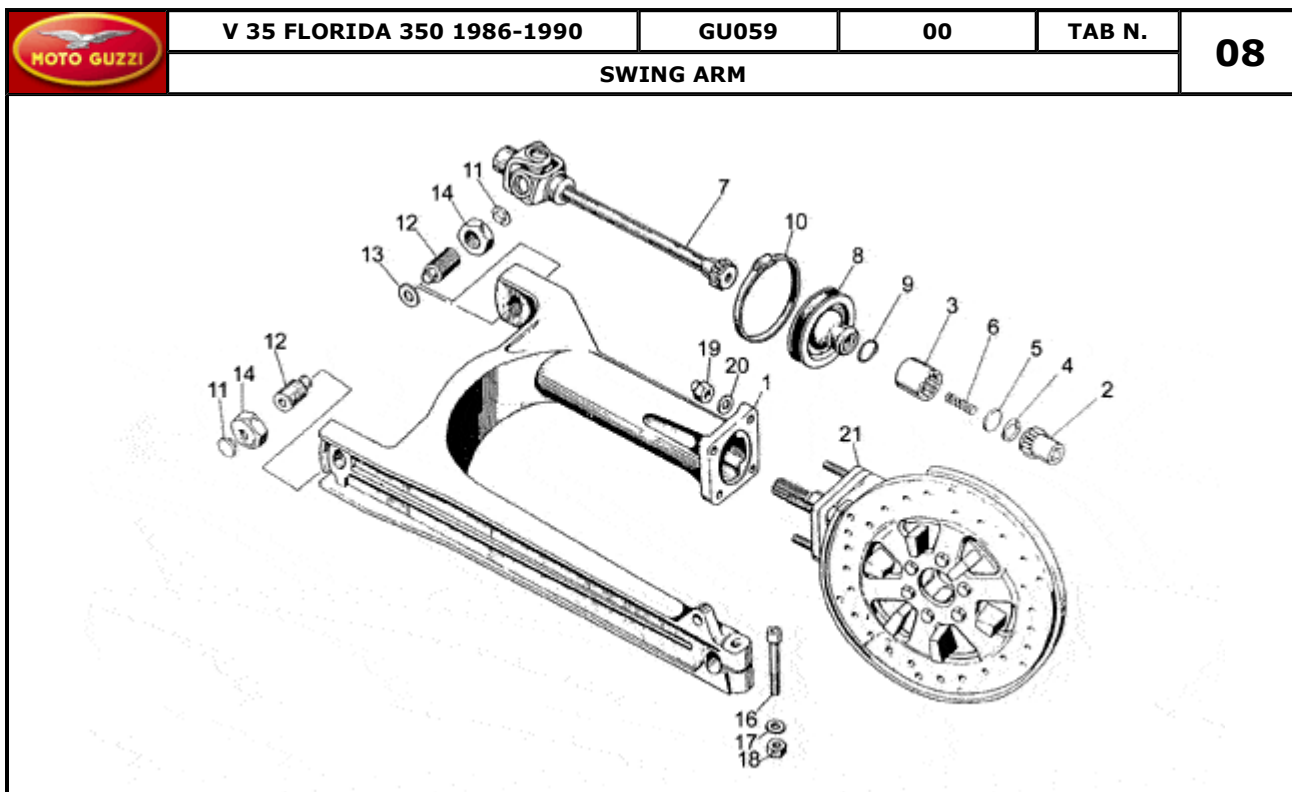


| Pos. | Description | Year | I_M | Country | Version | Code | Q.ty | P.Cod. |
|------|----------------------|------|-----|---------|---------|------------|------|--------|
| 1 | Taillight | - | - | - | - | GU23740910 | 1 | |
| 2 | Taillight lens | - | - | - | - | GU23741710 | 1 | |
| 3 | Lamp 12V/5-21W | - | - | - | - | GU93450224 | 1 | |
| 4 | Support | - | - | - | - | GU23758510 | 1 | |
| 5 | Self-tap screw | - | - | - | - | GU99210520 | 2 | |
| 6 | Turn indicator | - | - | - | - | GU23750670 | 2 | |
| 7 | Turn indicator lens | - | - | - | - | GU23753710 | 2 | |
| 8 | Lamp 12V-10W | - | - | - | - | GU93450127 | 2 | |
| 9 | Screw | - | - | - | - | GU98054314 | 1 | |
| 10 | Nut M6x1 | - | - | - | - | GU92630106 | 3 | |
| 11 | Washer | - | - | - | - | GU95000206 | 3 | |
| 12 | Plate holder support | - | - | - | - | GU23474610 | 1 | |
| 13 | Self-tap screw | - | - | - | - | GU99210320 | 2 | |
| 14 | Hex screw M6X16 | - | - | - | - | GU98054316 | 1 | |
| 15 | Rubber spacer | - | - | - | - | GU93110060 | 1 | |
| 16 | Washer 6,2X18X1 | - | - | - | - | GU95100118 | 1 | |
| 17 | Nut M6x1 | - | - | - | - | GU92630106 | 1 | |


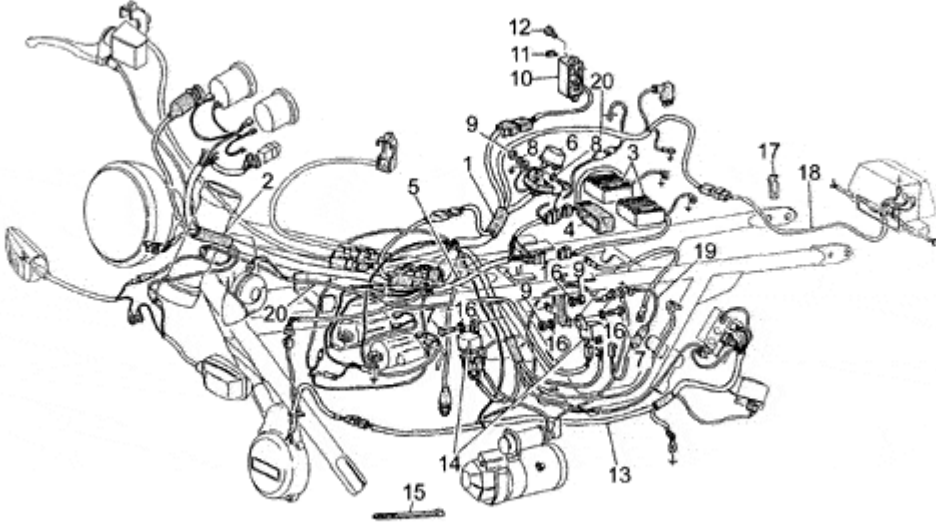



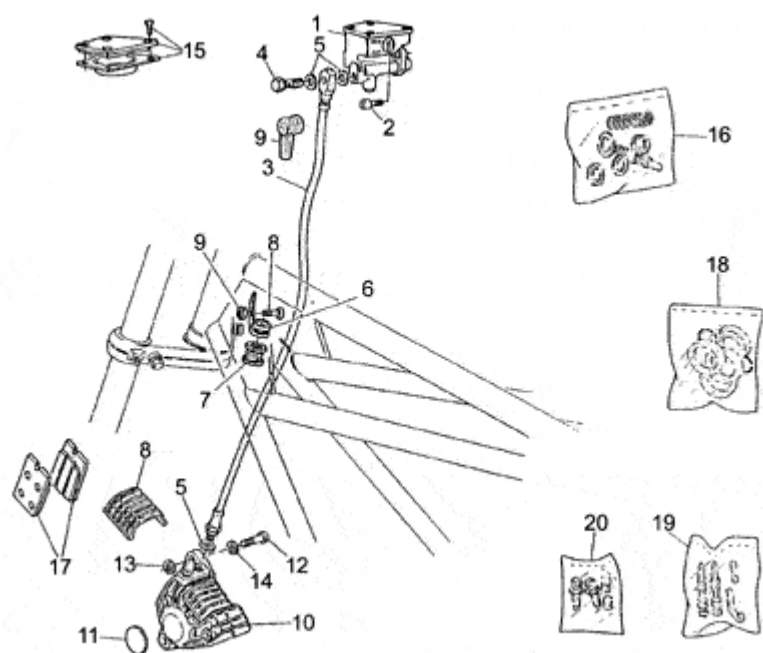
| Pos. | Description | Year | I_M | Country | Version | Code | Q.ty | P.Cod. |
|------|---------------------------|------|-----|---------|---------|------------|------|--------|
| 1 | Lower plate | - | - | - | - | GU23494010 | 1 | |
| 2 | Stem plug washer | - | - | - | - | GU18513560 | 1 | |
| 3 | Hex screw M10X55 | - | - | - | - | GU98072555 | 2 | |
| 4 | Washer | - | - | - | - | GU95007210 | 2 | |
| 5 | Spacer | - | - | - | - | GU91181016 | 2 | |
| 6 | Plug | - | - | - | - | GU18513460 | 1 | |
| 7 | Upper plate | - | - | - | - | GU27493135 | 1 | |
| 8 | Screw | - | - | - | - | GU98610540 | 5 | |
| 9 | Screw | - | - | - | - | GU98612535 | 1 | |
| 10 | Steering lock bush | - | - | - | - | GU18516660 | 1 | |
| 11 | RH sleeve | - | - | - | - | GU23522510 | 1 | |
| 12 | LH sleeve | - | - | - | - | GU23522610 | 1 | |
| 13 | Oil seal | - | - | - | - | GU90403449 | 2 | |
| 14 | Bush | - | - | - | - | GU27527620 | 2 | |
| 15 | Hex socket screw M6X25 | - | - | - | - | GU98622325 | 2 | |
| 16 | Washer 6,25x10x1,5 | - | - | - | - | GU95100116 | 4 | |
| 17 | Sleeve | - | - | - | - | GU23525410 | 2 | |
| 18 | Dust cover | - | - | - | - | GU14524500 | 2 | |
| 19 | Shock absorber | - | - | - | - | GU23526410 | 2 | |
| 21 | End stop | - | - | - | - | GU27527520 | 2 | |
| 22 | Spring | - | - | - | - | GU23526910 | 2 | |
| 23 | Screw M10X40 | - | - | - | - | GU98620540 | 2 | |
| 24 | Screw 25 mm | - | - | - | - | GU98622525 | 2 | |
| 25 | Bored screw | - | - | - | - | GU28556450 | 1 | |
| 26 | Air valve | - | - | - | - | GU28556250 | 1 | |
| 27 | Gasket ring | - | - | - | - | GU90706266 | 2 | |
| 28 | Copper washer | - | - | - | - | GU28556350 | 4 | |
| 29 | Front shock absorber tube | - | - | - | - | GU19529660 | 1 | |
| 30 | Nut | - | - | - | - | GU92781100 | 2 | |
| 32 | Flat washer | - | - | - | - | GU27499120 | 2 | |
| 33 | RH support | - | - | - | - | GU23496110 | 1 | |
| 34 | LH support | - | - | - | - | GU23496210 | 1 | |
| 36 | O-ring 9x2 | - | - | - | - | GU90706094 | 2 | |

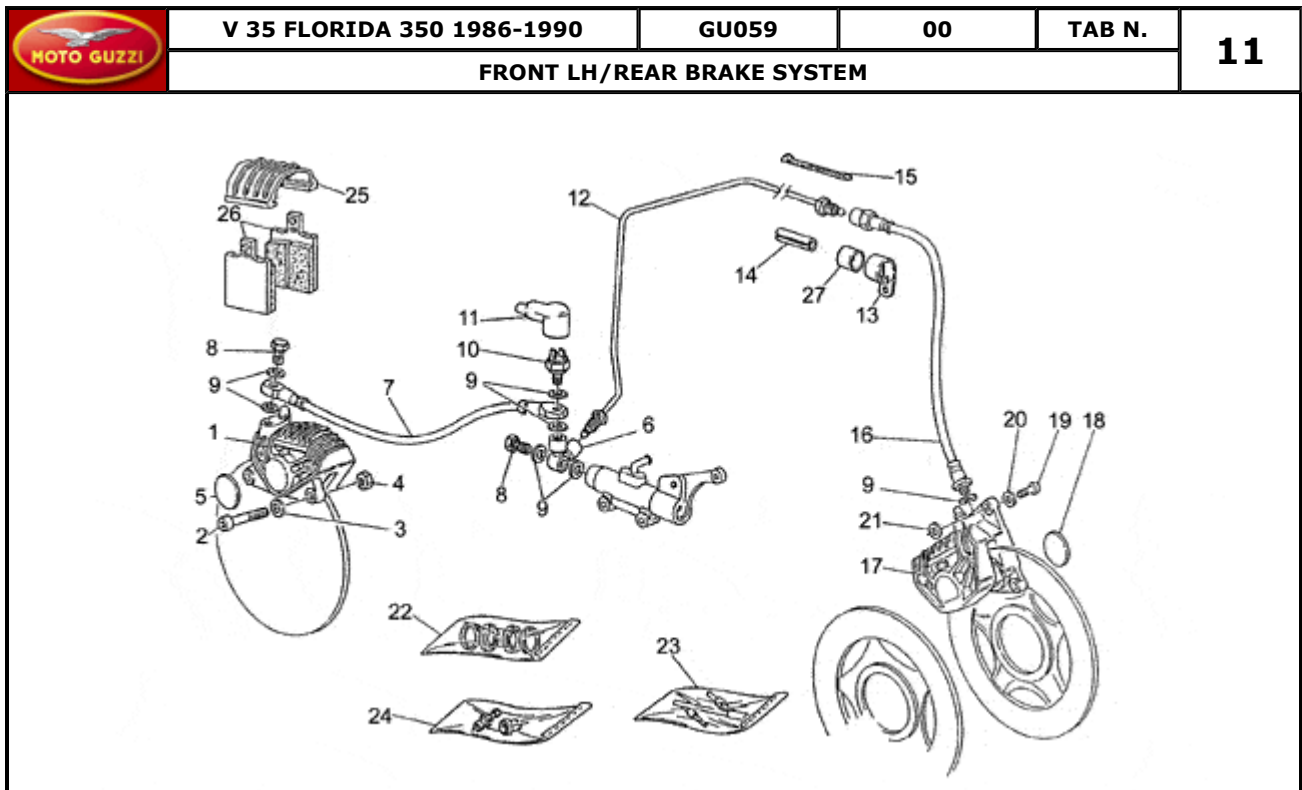
| | | | | | | | | |
|----|------------------------|---|---|---|---|---|------------|---|
| 37 | Spacer | - | - | - | - | - | GU23527910 | 2 |
| 38 | Nut | - | - | - | - | - | GU92602308 | 2 |
| 39 | Washer 8,4X13X0,8 | - | - | - | - | - | GU14615901 | 4 |
| 40 | Screw M8X35 | - | - | - | - | - | GU98620435 | 4 |
| 41 | Handlebar fixing plate | - | - | - | - | - | GU23500210 | 1 |
| 42 | Plug | - | - | - | - | - | GU23943410 | 6 |
| 43 | Stud bolt | - | - | - | - | - | GU96508021 | 4 |
| 44 | Spacer | - | - | - | - | - | GU23497910 | 2 |
| 45 | Hex socket screw M8X25 | - | - | - | - | - | GU98622425 | 2 |
| 46 | Return spring | - | - | - | - | - | GU23526610 | 2 |
| 47 | Anti-rubbing pipe | - | - | - | - | - | GU27526320 | 2 |
| 48 | Spring | - | - | - | - | - | GU27526685 | 2 |



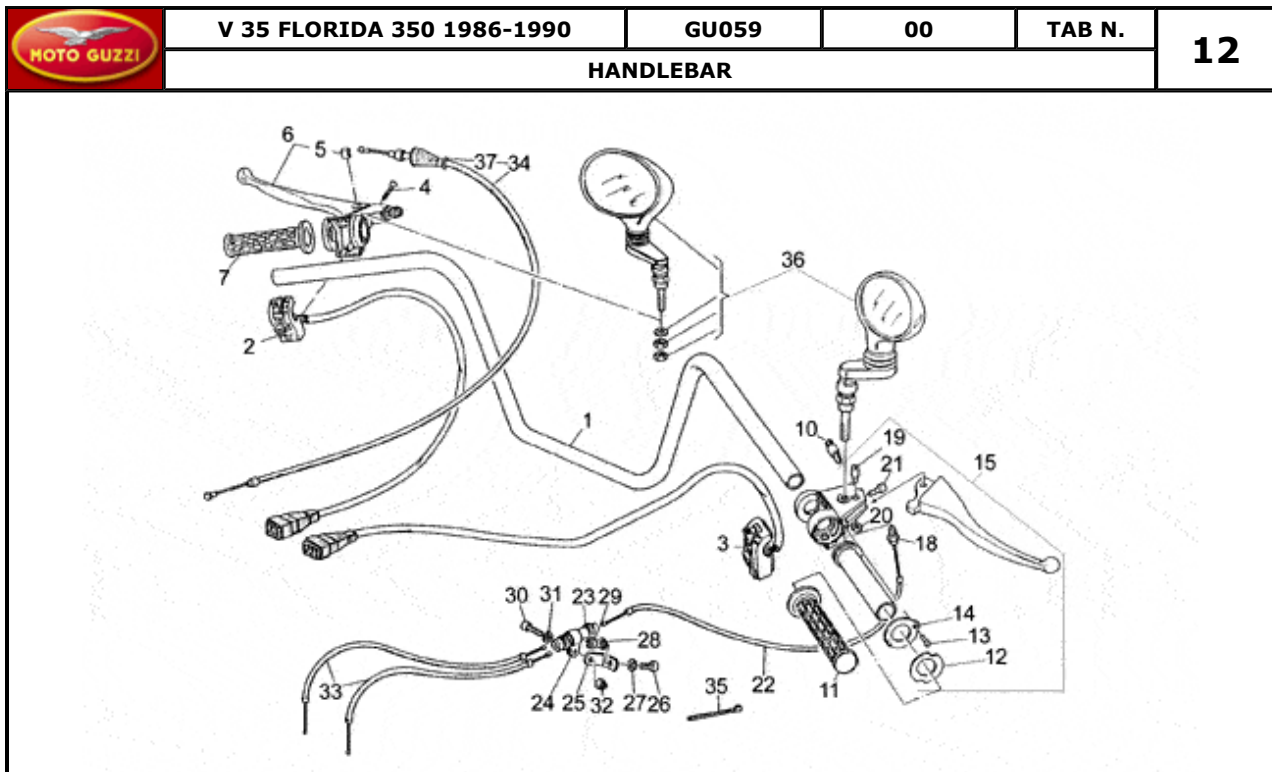
| Pos. | Description | Year | I_M_ | Country | Version | Code | Q.ty | P.Cod. |
|------|-----------------------|------|------|---------|---------|------------|------|--------|
| 1 | Swing arm | - | - | - | - | GU23540210 | 1 | |
| 2 | Hose | - | - | - | - | GU19327701 | 1 | |
| 3 | Hose | - | - | - | - | GU19328801 | 1 | |
| 4 | Circlip | - | - | - | - | GU90272023 | 1 | |
| 5 | Disc | - | - | - | - | GU19327601 | 1 | |
| 6 | Spring | - | - | - | - | GU94321099 | 1 | |
| 7 | Coupling | - | - | - | - | GU23328081 | 1 | |
| 8 | Protection collar | - | - | - | - | GU23548080 | 1 | |
| 9 | Spring | - | - | - | - | GU23548180 | 1 | |
| 10 | Hose clamp | - | - | - | - | GU93305074 | 1 | |
| 11 | Plug | - | - | - | - | GU93180105 | 2 | |
| 12 | Pin | - | - | - | - | GU19547000 | 2 | |
| 13 | Spacer | - | - | - | - | GU35214300 | 1 | |
| 14 | Nut | - | - | - | - | GU14547800 | 2 | |
| 16 | Screw | - | - | - | - | GU98820545 | 1 | |
| 17 | Washer 10,2x18x2 | - | - | - | - | GU95004210 | 1 | |
| 18 | Nut | - | - | - | - | GU92602210 | 1 | |
| 19 | Nut | - | - | - | - | GU92781081 | 4 | |
| 20 | Washer 8,4X13X0,8 | - | - | - | - | GU14615901 | 4 | |
| 21 | Transmission complete | - | - | - | - | GU31350200 | 1 | |

|  | | V 35 FLORIDA 350 1986-1990 | | GU059 | 00 | TAB N. | 09 | |
|--|-----------------------------|----------------------------|-----|---------|---------|------------|------|--------|
| | | ELECTRICAL SYSTEM | | | | | | |
|  | | | | | | | | |
| Pos. | Description | Year | I_M | Country | Version | Code | Q.ty | P.Cod. |
| 1 | Electrical system | - | - | - | - | GU23747170 | 1 | |
| 2 | Turn indicator switch | - | - | - | - | GU28745760 | 1 | |
| 3 | Electronic control unit | - | - | - | - | GU23721494 | 2 | |
| 4 | Flexible support | - | - | - | - | GU27723835 | 2 | |
| 5 | H.T. wiring | - | - | - | - | GU31722140 | 1 | |
| 6 | Flasher unit | - | - | - | - | GU17750520 | 1 | |
| 7 | Screw | - | - | - | - | GU98054212 | 3 | |
| 8 | Washer | - | - | - | - | GU95000205 | 2 | |
| 9 | Nut | - | - | - | - | GU92602205 | 3 | |
| 10 | Rubber fuse box | - | - | - | - | GU23743010 | 1 | |
| 11 | Fuse 15A | - | - | - | - | GU28742560 | 4 | |
| 12 | Screw | - | - | - | - | GU98620212 | 2 | |
| 13 | Alternator-regulator wiring | - | - | - | - | GU19725820 | 1 | |
| 14 | Starter relay | - | - | - | - | GU19732500 | 2 | |
| 15 | Hose clamp 3,6x20,6 | - | - | - | - | GU14609650 | 1 | |
| | Hose clamp | - | - | - | - | GU61609630 | 1 | |
| 16 | Washer 5,25x14x1,5 | - | - | - | - | GU95100059 | 4 | |
| 17 | U-bolt | - | - | - | - | GU93301315 | 1 | |
| 18 | Taillight wiring harn. | - | - | - | - | GU23747310 | 1 | |
| 19 | Wire | - | - | - | - | GU23748210 | 1 | |
| 20 | Capacitor | - | - | - | - | GU27710435 | 1 | |
| | Wire | - | - | - | - | GU23748310 | 1 | |

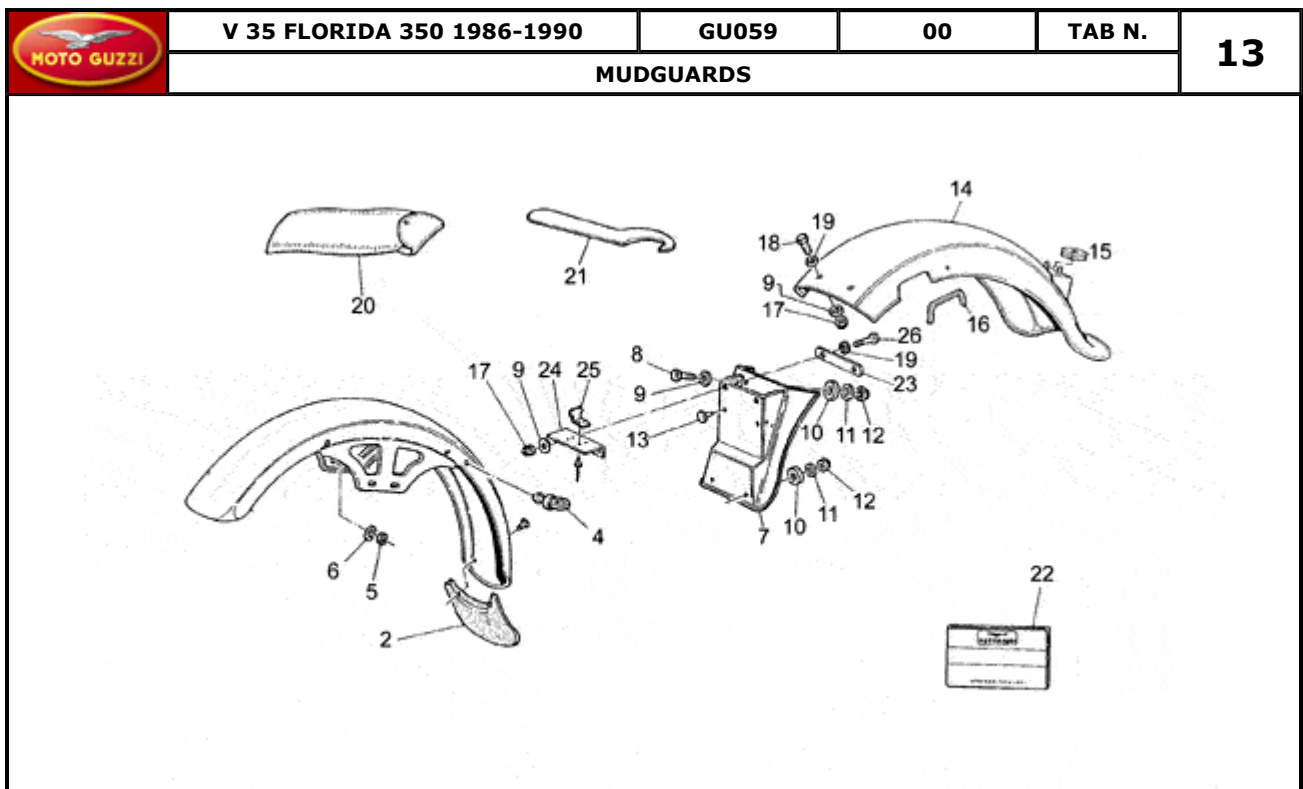
|  | | V 35 FLORIDA 350 1986-1990 | GU059 | 00 | TAB N. | 10 | | |
|--|--------------------------------|----------------------------|-------|---------|---------|------------|------|--------|
| RH FRONT BRAKE SYSTEM | | | | | | | | |
|  | | | | | | | | |
| Pos. | Description | Year | I_M | Country | Version | Code | Q.ty | P.Cod. |
| 1 | Front master cilinder | - | - | - | - | GU29660250 | 1 | |
| 2 | Screw | - | - | - | - | GU98812216 | 2 | |
| 3 | Front brake line | - | - | - | - | GU23657110 | 1 | |
| 4 | Oil pipe screw * | - | - | - | - | GU95990028 | 1 | |
| 5 | Gasket | - | - | - | - | GU25656100 | 3 | |
| 6 | Hose clamp | - | - | - | - | GU17658360 | 1 | |
| 7 | Ring | - | - | - | - | GU17658260 | 1 | |
| 8 | Brake caliper cover GRIMECA | - | - | - | 29895C | GU31654765 | 1 | |
| | Brake caliper cover BREMBO | - | - | - | - | GU39654700 | 1 | |
| 9 | Cap | - | - | - | - | GU39663801 | 1 | |
| 10 | RH front brake caliper Grimeca | - | - | - | 29895C | GU31652365 | 1 | |
| 11 | Brake caliper decal | - | - | - | - | GU19652700 | 1 | |
| 12 | Screw | - | - | - | - | GU98622422 | 2 | |
| 13 | Washer 8,5X18X0,8 | - | - | - | - | GU95100251 | 4 | |
| | Washer 8,5X18X0,5 | - | - | - | - | GU95100250 | 4 | |
| 14 | Spring washer 8x15x0,3 | - | - | - | - | GU61270300 | 2 | |
| 15 | Cover | - | - | - | - | GU23661110 | 1 | |
| 16 | Brake mast.cyl rev. kit | - | - | - | - | GU23659310 | 1 | |
| 17 | Pads pair GRIMECA | - | - | - | 29895C | GU31654665 | 2 | |
| | Pads pair BREMBO | - | - | - | - | GU27654610 | 1 | |
| 18 | Brake caliper rev. kit GRIMECA | - | - | - | 29895C | GU66659031 | 1 | |
| | Brake caliper rev. kit BREMBO | - | - | - | - | GU39659000 | 1 | |
| 19 | Pins+spring GRIMECA | - | - | - | 29895C | GU31659165 | 2 | |
| | Pins+spring BREMBO | - | - | - | - | GU39659100 | 1 | |
| 20 | Bleeder+cap BREMBO D.6 | - | - | - | - | GU65659200 | 1 | |
| | Bleeder+cap GRIMECA | - | - | - | 29895C | GU31659265 | 1 | |



| Pos. | Description | Year | I_M | Country | Version | Code | Q.ty | P.Cod. |
|------|--------------------------------|------|-----|---------|---------|------------|------|--------|
| 1 | Rear brake caliper | - | - | - | - | GU23653011 | 1 | |
| 2 | Screw | - | - | - | - | GU98622422 | 2 | |
| 3 | Spring washer 8x15x0,3 | - | - | - | - | GU61270300 | 2 | |
| 4 | Nut M8X1,25 | - | - | - | - | GU92602208 | 2 | |
| 5 | Rear brake cal. decal | - | - | - | - | GU19654900 | 1 | |
| 6 | Connection | - | - | - | - | GU19668000 | 1 | |
| 7 | Pipe | - | - | - | - | GU17658550 | 1 | |
| 8 | Oil pipe screw * | - | - | - | - | GU95990028 | 2 | |
| 9 | Gasket | - | - | - | - | GU25656100 | 7 | |
| 10 | Brake light switch | - | - | - | - | GU14657050 | 1 | |
| 11 | Cap | - | - | - | - | GU12735100 | 1 | |
| 12 | Pipe | - | - | - | - | GU19658735 | 1 | |
| 13 | Hose clamp | - | - | - | - | GU62436500 | 1 | |
| 14 | Piston ring | - | - | - | - | GU17659650 | 3 | |
| 15 | Hose clamp 3,6x20,6 | - | - | - | - | GU14609650 | 1 | |
| 16 | Pipe | - | - | - | - | GU23658810 | 1 | |
| 17 | LH front brake caliper Grimeca | - | - | - | 29895C | GU31652265 | 1 | |
| 18 | Brake caliper decal | - | - | - | - | GU19652700 | 1 | |
| 19 | Screw | - | - | - | - | GU98622422 | 2 | |
| 20 | Spring washer 8x15x0,3 | - | - | - | - | GU61270300 | 2 | |
| 21 | Washer 8,5X18X0,5 | - | - | - | - | GU95100250 | 4 | |
| | Washer 8,5X18X0,8 | - | - | - | - | GU95100251 | 4 | |
| 22 | Brake caliper rev. kit BREMBO | - | - | - | - | GU39659000 | 2 | |
| | Brake caliper rev. kit GRIMECA | - | - | - | 29895C | GU66659031 | 1 | |
| 23 | Pins+spring GRIMECA | - | - | - | 29895C | GU31659165 | 2 | |
| | Pins+spring BREMBO | - | - | - | - | GU39659100 | 2 | |
| 24 | Bleeder+cap GRIMECA | - | - | - | 29895C | GU31659265 | 1 | |
| | Bleeder+cap BREMBO D.6 | - | - | - | - | GU65659200 | 2 | |
| 25 | Brake caliper cover GRIMECA | - | - | - | 29895C | GU31654765 | 1 | |
| | Brake caliper cover BREMBO | - | - | - | - | GU39654700 | 2 | |
| 26 | Pads pair GRIMECA | - | - | - | 29895C | GU31654665 | 2 | |
| | Pads pair BREMBO | - | - | - | - | GU27654610 | 1 | |
| 27 | Snap ring | - | - | - | - | GU90716142 | 1 | |

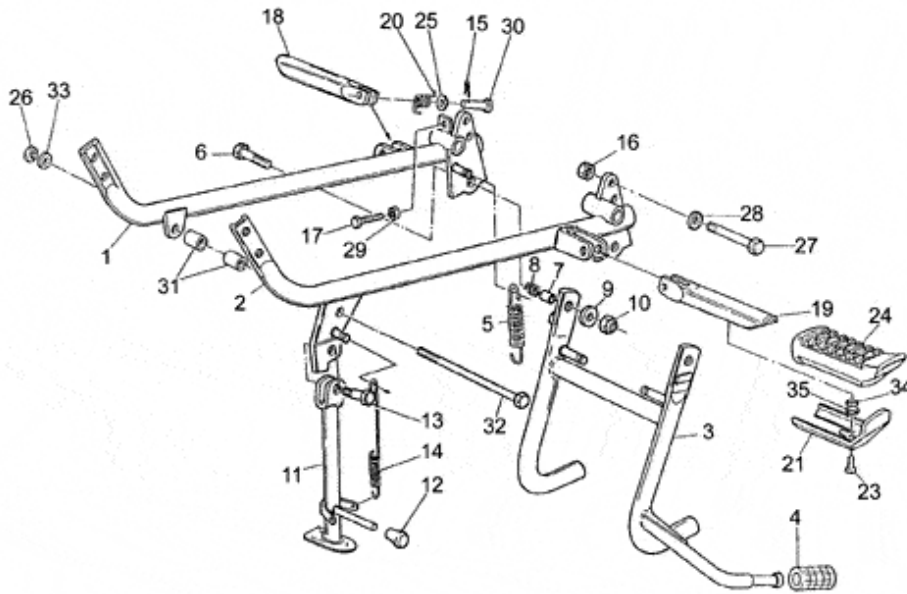


| Pos. | Description | Year | I_M_ | Country | Version | Code | Q.ty | P.Cod. |
|------|------------------------|------|------|---------|---------|------------|------|--------|
| 1 | Handlebar | - | - | - | - | GU29600351 | 1 | |
| 2 | LH lights selector | - | - | - | - | GU23738070 | 1 | |
| 3 | RH lights selector | - | - | - | - | GU23750370 | 1 | |
| 4 | Screw | - | - | - | - | GU98260425 | 2 | |
| 5 | Bush | - | - | - | - | GU29608750 | 1 | |
| 6 | Clutch lever | - | - | - | - | GU29605550 | 1 | |
| 7 | LH hand grip | - | - | - | - | GU29603050 | 1 | |
| 10 | Brake light switch | - | - | - | - | GU39741101 | 1 | |
| 11 | RH hand grip | - | - | - | - | GU29603550 | 1 | |
| 12 | Nylon washer | - | - | - | - | GU29604650 | 1 | |
| 13 | Screw | - | - | - | - | GU98280410 | 1 | |
| 14 | Side cover | - | - | - | - | GU29603650 | 1 | |
| 15 | Throttle cable assy | - | - | - | - | GU29999250 | 1 | |
| 18 | Cable-guide | - | - | - | - | GU29603750 | 1 | |
| 19 | Screw | - | - | - | - | GU29604850 | 1 | |
| 20 | Nut | - | - | - | - | GU92601206 | 1 | |
| 21 | Hex socket screw M6x16 | - | - | - | - | GU98612316 | 1 | |
| 22 | Throttle cable | - | - | - | - | GU23117570 | 1 | |
| 23 | Splitter | - | - | - | - | GU30607910 | 1 | |
| 24 | Hose clamp | - | - | - | - | GU19133400 | 1 | |
| 25 | Clamp | - | - | - | - | GU23117970 | 1 | |
| 26 | Screw | - | - | - | - | GU98822416 | 1 | |
| 27 | Washer | - | - | - | - | GU95000208 | 1 | |
| 28 | Spring washer 8x15x0,3 | - | - | - | - | GU61270300 | 1 | |
| 29 | Nut M8X1,25 | - | - | - | - | GU92602208 | 1 | |
| 30 | Screw | - | - | - | - | GU98822312 | 1 | |
| 31 | Washer | - | - | - | - | GU95000206 | 1 | |
| 32 | Nut M6x1 | - | - | - | - | GU92630106 | 1 | |
| 33 | Throttle cable | - | - | - | - | GU23117770 | 2 | |
| 34 | Clutch cable | - | - | - | - | GU23093070 | 1 | |
| 35 | Hose clamp 3,6x20,6 | - | - | - | - | GU14609650 | 1 | |
| | Hose clamp | - | - | - | - | GU61609630 | 1 | |
| 36 | Mirrors-pair | - | - | - | - | GU23999570 | 1 | |
| 37 | Bellows | - | - | - | - | GU23093870 | 1 | |

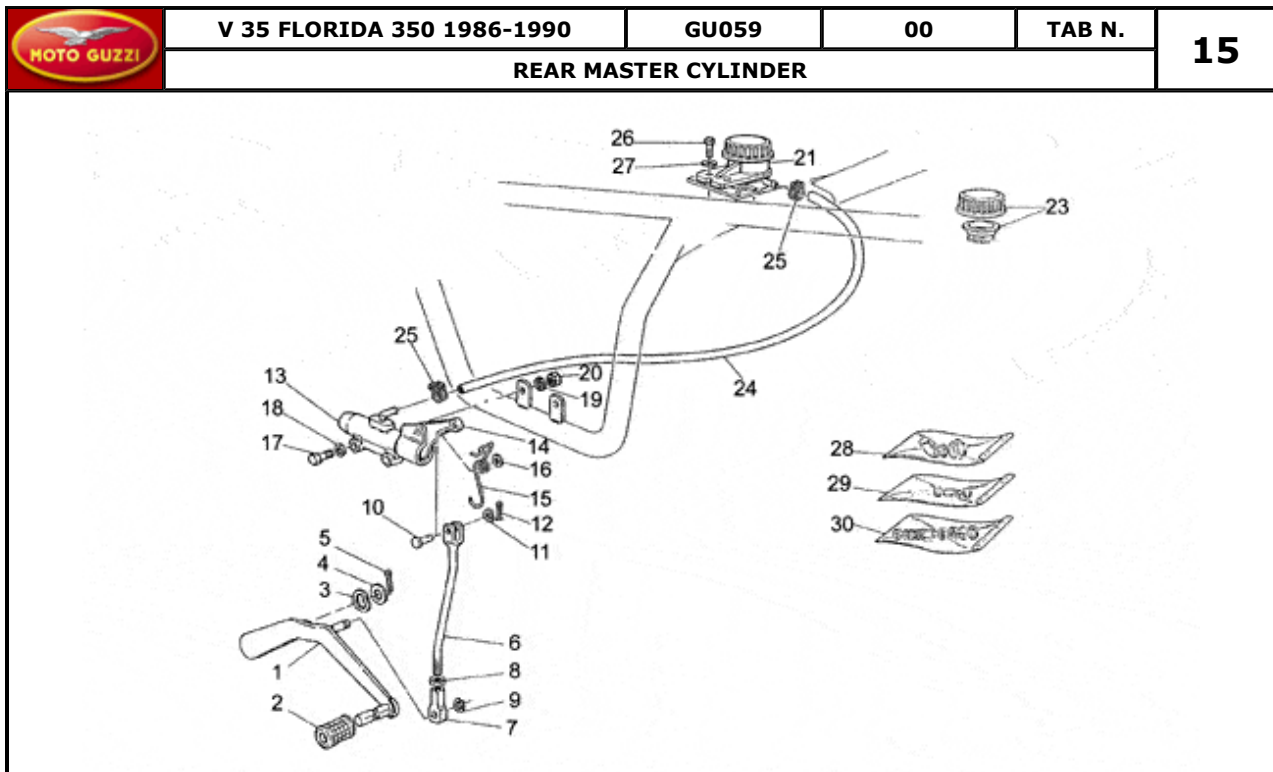


| Pos. | Description | Year | I_M | Country | Version | Code | Q.ty | P.Cod. |
|------|---------------------------|------|-----|---------|---------|------------|------|--------|
| 2 | Splash guard | - | - | - | - | GU27436920 | 1 | |
| 4 | Eyelet | - | - | - | - | GU19436500 | 2 | |
| 5 | Nut M8X1,25 | - | - | - | - | GU92602208 | 4 | |
| 6 | Spring washer 8x15x0,3 | - | - | - | - | GU61270300 | 4 | |
| 7 | Splash guard | - | - | - | - | GU19438770 | 1 | |
| 8 | Screw | - | - | - | - | GU98054325 | 2 | |
| 9 | Washer 6,2X18X1 | - | - | - | - | GU95100118 | 4 | |
| 10 | Rubber spacer | - | - | - | - | GU93110060 | 10 | |
| 11 | Washer 6,4x12x1,2 | - | - | - | - | GU95100141 | 4 | |
| 12 | Nut M6x1 | - | - | - | - | GU92630106 | 4 | |
| 13 | Drift | - | - | - | - | GU19705900 | 4 | |
| 14 | Rear mudguard | - | - | - | - | GU23437010 | 1 | |
| 15 | Rubber spacer | - | - | - | - | GU91551099 | 1 | |
| 16 | Gasket | - | - | - | - | GU23438980 | 2 | |
| 17 | Nut M6x1 | - | - | - | - | GU92630106 | 4 | |
| 18 | Hex screw M6X20 | - | - | - | - | GU98054320 | 2 | |
| 19 | Washer | - | - | - | - | GU95000206 | 6 | |
| 20 | Toolkit | - | - | - | - | GU28929940 | 1 | |
| 21 | Shock abs. adj. Wrench | - | - | - | - | GU14912755 | 1 | |
| 22 | Operator's handbook | - | - | I | - | GU23900010 | 1 | |
| | Operator's handbook | - | - | D | - | GU23900013 | 1 | |
| 23 | Plate | - | - | - | - | GU23439210 | 1 | |
| 24 | Control unit fixing plate | - | - | - | - | GU23439010 | 1 | |
| 25 | Holder | - | - | - | - | GU23438510 | 2 | |
| 26 | Screw | - | - | - | - | GU98054312 | 2 | |


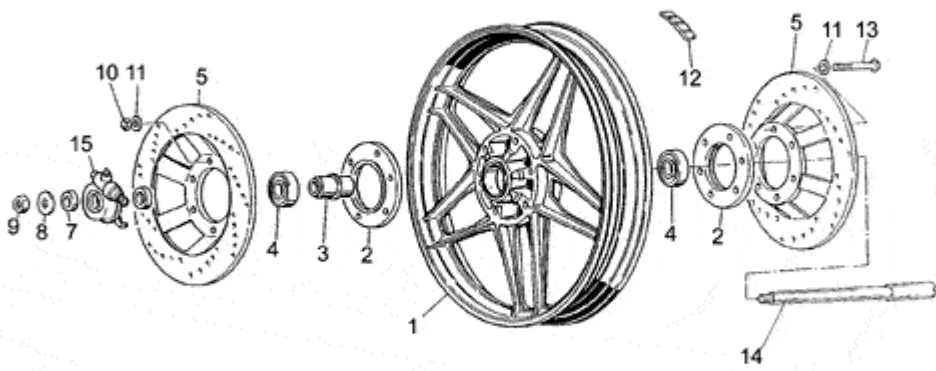
| | | | | | |
|---|-----------------------------------|--------------|-----------|---------------|-----------|
|  | V 35 FLORIDA 350 1986-1990 | GU059 | 00 | TAB N. | 14 |
| | FOOT RESTS - LATERAL STAND | | | | |



| Pos. | Description | Year | I_M_ | Country | Version | Code | Q.ty | P.Cod. |
|------|-------------------------|------|------|---------|---------|------------|------|--------|
| 1 | RH cradle arm | - | - | - | - | GU23420310 | 1 | |
| 2 | LH cradle arm | - | - | - | - | GU23422110 | 1 | |
| 3 | Central stand | - | - | - | - | GU23430310 | 1 | |
| 4 | Rubber pedal | - | - | - | - | GU13432640 | 1 | |
| 5 | Lateral stand spring | - | - | - | - | GU12434001 | 2 | |
| 6 | Screw | - | - | - | - | GU98054530 | 2 | |
| 7 | Spacer | - | - | - | - | GU91181114 | 2 | |
| 8 | Spring | - | - | - | - | GU94322215 | 2 | |
| 9 | Washer | - | - | - | - | GU95000210 | 2 | |
| 10 | Nut M10x1,5 | - | - | - | - | GU92630510 | 2 | |
| 11 | Lateral stand | - | - | - | - | GU23432011 | 1 | |
| 12 | Lockup rubber | - | - | - | - | GU19433000 | 1 | |
| 13 | Pin | - | - | - | - | GU99105129 | 1 | |
| 14 | Spring | - | - | - | - | GU23434010 | 2 | |
| 15 | Split pin | - | - | - | - | GU95401215 | 2 | |
| 16 | Nut | - | - | - | - | GU92602210 | 2 | |
| 17 | Hex screw M6X22 | - | - | - | - | GU98054322 | 1 | |
| 18 | RH front foot rest pipe | - | - | - | - | GU23440710 | 1 | |
| 19 | LH front foot rest pipe | - | - | - | - | GU23441810 | 1 | |
| 20 | Spring | - | - | - | - | GU03441130 | 2 | |
| 21 | Plate | - | - | - | - | GU23441210 | 2 | |
| 23 | Screw | - | - | - | - | GU98054314 | 2 | |
| 24 | Rubber pedal | - | - | - | - | GU23443210 | 2 | |
| 25 | Washer | - | - | - | - | GU95000208 | 2 | |
| 26 | Nut | - | - | - | - | GU92602210 | 1 | |
| 27 | Screw | - | - | - | - | GU98052565 | 2 | |
| 28 | Washer 10,2x18x2 | - | - | - | - | GU95004210 | 2 | |
| 29 | Nut | - | - | - | - | GU92602206 | 1 | |
| 30 | Pin | - | - | - | - | GU23442210 | 2 | |
| 31 | Bush | - | - | - | - | GU19017000 | 2 | |
| 32 | Pin M10x250 | - | - | - | - | GU53429500 | 1 | |
| 33 | Washer 10,2x18x2 | - | - | - | - | GU95004210 | 1 | |
| 34 | Spacer | - | - | - | - | GU91180602 | 2 | |
| 35 | Spring washer | - | - | - | - | GU95129130 | 2 | |

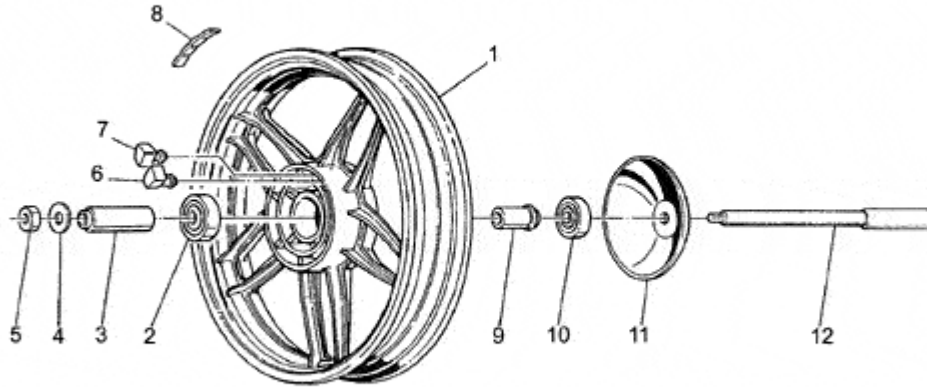


| Pos. | Description | Year | I_M_ | Country | Version | Code | Q.ty | P.Cod. |
|------|-------------------------------|------|------|---------|---------|---------------|------|--------|
| 1 | Rear brake lever | - | - | - | - | GU19677000 | 1 | |
| 2 | Rubber spacer | - | - | - | - | GU14251001 | 1 | |
| 3 | Spring washer | - | - | - | - | GU95129260 | 1 | |
| 4 | Flat washer | - | - | - | - | GU95004215 | 1 | |
| 5 | Split pin | - | - | - | - | GU95500227 | 1 | |
| 6 | Change gear tie rod compl. | - | - | - | - | GU19675000 | 1 | |
| 7 | Block | - | - | - | - | GU18257551 | 1 | |
| 8 | Nut | - | - | - | - | GU92690073 | 1 | |
| 9 | Circlip | - | - | - | - | GU90271008 | 1 | |
| 10 | Pin | - | - | - | - | GU95770265 | 1 | |
| 11 | Washer | - | - | - | - | GU95129110 | 1 | |
| 12 | Split pin | - | - | - | - | GU95500222 | 1 | |
| 13 | Rear master cylinder | - | - | - | - | GU31666990 | 1 | |
| 14 | Rear brake lever | - | - | - | - | GU19667500 | 1 | |
| 15 | Rear brake lever spring | - | - | - | - | GU19667600 | 1 | |
| 16 | Washer 6,15x11x0,8 | - | - | - | - | GU95004206 | 1 | |
| 17 | Screw | - | - | - | - | GU98052326 | 2 | |
| 18 | Washer | - | - | - | - | GU95000206 | 2 | |
| 19 | Notched washer | - | - | - | - | GU95021106 | 2 | |
| 20 | Nut | - | - | - | - | GU92602206 | 2 | |
| 21 | Brake oil tank | - | - | - | - | GU65663500 | 1 | |
| 22 | Tank cap | - | - | - | - | GU17661052 | 1 | |
| 23 | Rear brake hose | - | - | - | - | GU00823950050 | 1 | |
| 24 | Hose clamp | - | - | - | - | GU19157800 | 2 | |
| 25 | Screw | - | - | - | - | GU98054216 | 2 | |
| 26 | Washer 5,25x14x1,5 | - | - | - | - | GU95100059 | 2 | |
| 27 | Pump connection overhaul unit | - | - | - | - | GU19659500 | 1 | |
| 28 | Lever overhaul kit | - | - | - | - | GU19659600 | 1 | |
| 29 | Pump revision kit | - | - | - | - | GU17659350 | 1 | |

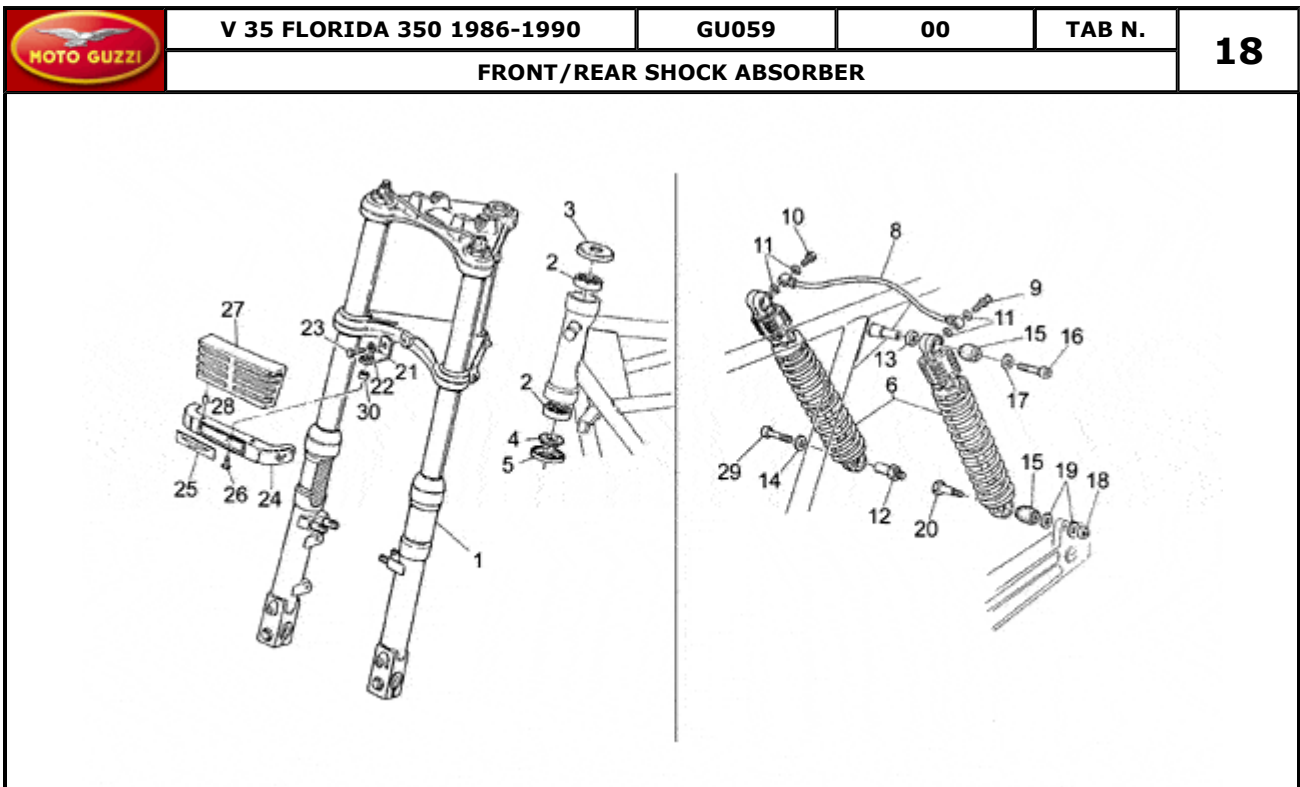
|  | V 35 FLORIDA 350 1986-1990 | GU059 | 00 | TAB N. | 16 | | | |
|--|-----------------------------------|--------------|-----------|---------------|-----------|------|------|--------|
| | FRONT WHEEL | | | | | | | |
|  | | | | | | | | |
| Pos. | Description | Year | I_M_ | Country | Version | Code | Q.ty | P.Cod. |

| Pos. | Description | Year | I_M_ | Country | Version | Code | Q.ty | P.Cod. |
|------|---------------------|------|------|---------|---------|------------|------|--------|
| 1 | Front wheel 2,15x18 | - | - | - | - | GU23610380 | 1 | |
| 2 | Flange | - | - | - | - | GU14611255 | 2 | |
| 3 | Spacer | - | - | - | - | GU19615335 | 1 | |
| 4 | Bearing | - | - | - | - | GU92204217 | 2 | |
| 5 | Spacer | - | - | - | - | GU19615335 | 2 | |
| 7 | Spacer | - | - | - | - | GU62616320 | 1 | |
| 8 | Washer 17X27X2 | - | - | - | - | GU95004217 | 1 | |
| 9 | Nut M16X1,5 | - | - | - | - | GU92602516 | 1 | |
| 10 | Cap nut | - | - | - | - | GU92730082 | 6 | |
| 11 | Washer | - | - | - | - | GU95000208 | 12 | |
| 12 | Counterweight | - | - | - | - | GU14616150 | 4 | |
| 13 | Screw m8x90 | - | - | - | - | GU98052490 | 6 | |
| 14 | Front wheel spindle | - | - | - | - | GU62614120 | 1 | |
| 15 | Odometer gear | - | - | - | - | GU39762501 | 2 | |

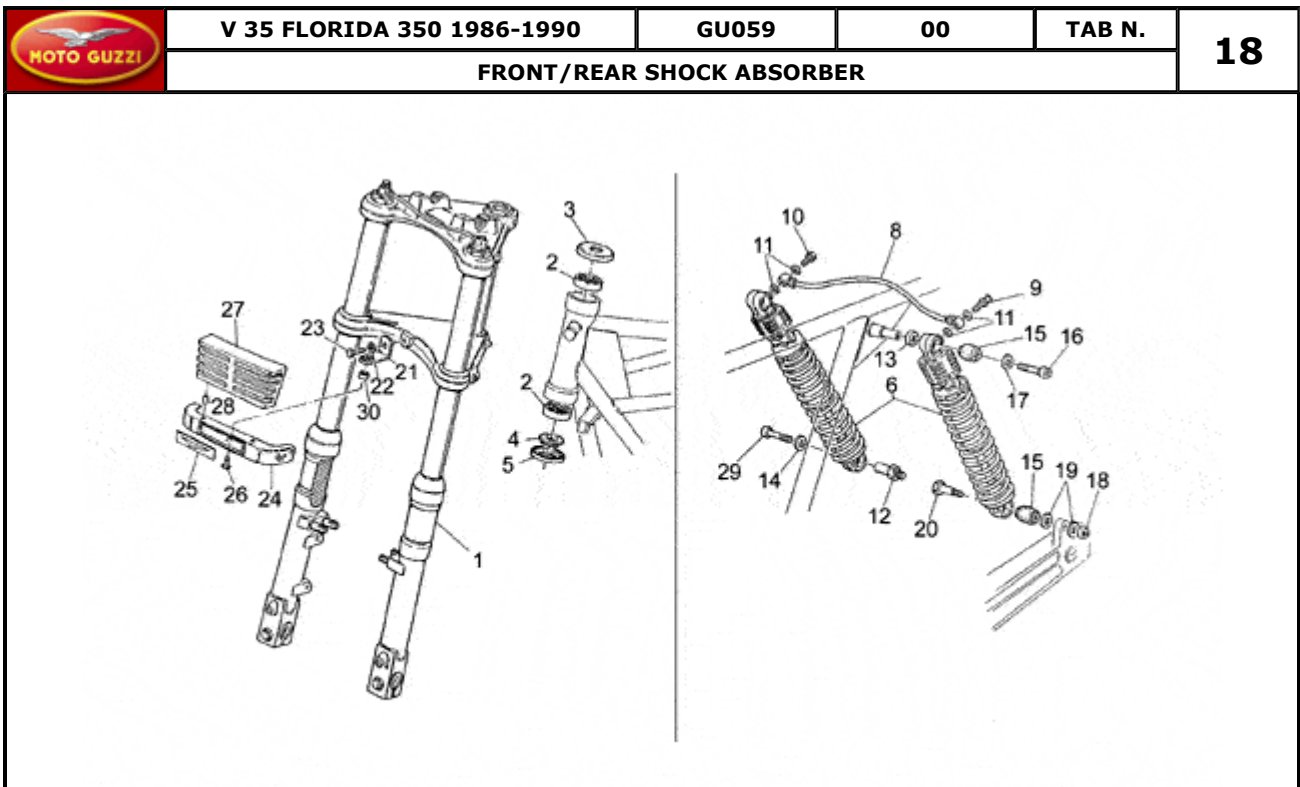
| | | | | | |
|---|----------------------------|-------|----|--------|-----------|
|  | V 35 FLORIDA 350 1986-1990 | GU059 | 00 | TAB N. | 17 |
| | REAR WHEEL | | | | |



| Pos. | Description | Year | I_M_ | Country | Version | Code | Q.ty | P.Cod. |
|------|-------------------------|------|------|---------|---------|------------|------|--------|
| 1 | Rear wheel 2,50x16" | - | - | - | - | GU23630680 | 1 | |
| 2 | Bearing | - | - | - | - | GU92204218 | 1 | |
| 3 | Spacer | - | - | - | - | GU19634100 | 1 | |
| 4 | Washer | - | - | - | - | GU14634400 | 1 | |
| 5 | Nut M6X1,5 | - | - | - | - | GU92602316 | 1 | |
| 6 | RH rubber coupling | - | - | - | - | GU19632501 | 6 | |
| 7 | LH rubber coupling | - | - | - | - | GU19632502 | 6 | |
| 8 | Counterweight | - | - | - | - | GU14616150 | 4 | |
| 9 | Bearing internal spacer | - | - | - | - | GU19633935 | 1 | |
| 10 | Bearing | - | - | - | - | GU92204217 | 1 | |
| 11 | Protection | - | - | - | - | GU19636400 | 1 | |
| 12 | Rear wheel spindle | - | - | - | - | GU23633380 | 1 | |



| Pos. | Description | Year | I_M | Country | Version | Code | Q.ty | P.Cod. |
|------|------------------------------|------|-----|---------|---------|------------|------|--------|
| 1 | Front fork | - | - | - | - | GU23490312 | 1 | |
| 2 | Tap.roller bearing | - | - | - | - | GU92249225 | 2 | |
| 3 | Cup | - | - | - | - | GU14494600 | 1 | |
| 4 | Clearance washer | - | - | - | - | GU14516700 | 1 | |
| 5 | Dust cover | - | - | - | - | GU14517000 | 1 | |
| 6 | Shock absorber-pair | - | - | - | K | GU23999270 | 2 | |
| 8 | Pipe | - | - | - | - | GU19556160 | 1 | |
| 9 | Air valve | - | - | - | - | GU28556250 | 2 | |
| 10 | Bored screw | - | - | - | - | GU28556450 | 1 | |
| 11 | Copper washer | - | - | - | - | GU28556350 | 4 | |
| 12 | Pin | - | - | - | - | GU23555281 | 1 | |
| 13 | Spacer | - | - | - | - | GU91181407 | 2 | |
| 14 | Washer | - | - | - | - | GU95100256 | 1 | |
| 15 | Silent-block | - | - | - | - | GU14551655 | 4 | |
| 16 | Screw M8X30 | - | - | - | - | GU98622430 | 2 | |
| 17 | Washer | - | - | - | - | GU95004208 | 2 | |
| 18 | Nut | - | - | - | - | GU92602410 | 1 | |
| 19 | Washer 10,2x18x2 | - | - | - | - | GU95004210 | 2 | |
| 20 | Pin | - | - | - | - | GU23555280 | 1 | |
| 21 | Plate | - | - | - | - | GU19498060 | 1 | |
| 22 | Special washer | - | - | - | - | GU61013800 | 1 | |
| 23 | Hex screw M6X20 | - | - | - | - | GU98054320 | 1 | |
| 24 | Clamp | - | - | - | - | GU23751310 | 1 | |
| 25 | Constructor dataplate | - | - | - | - | GU23769510 | 1 | |
| 26 | Screw | - | - | - | - | GU98326014 | 1 | |
| 27 | Turn indicator support grill | - | - | - | - | GU23505810 | 1 | |
| 28 | Pin | - | - | - | - | GU23922210 | 2 | |
| 29 | Screw | - | - | - | - | GU98822416 | 1 | |
| 30 | Spacer | - | - | - | - | GU91180706 | 1 | |



| Pos. | Description | Year | I_M_ | Country | Version | Code | Q.ty | P.Cod. |
|------|------------------------------|------|------|---------|---------|------------|------|--------|
| 1 | Front fork | - | - | - | - | GU23490312 | 1 | |
| 2 | Tap.roller bearing | - | - | - | - | GU92249225 | 2 | |
| 3 | Cup | - | - | - | - | GU14494600 | 1 | |
| 4 | Clearance washer | - | - | - | - | GU14516700 | 1 | |
| 5 | Dust cover | - | - | - | - | GU14517000 | 1 | |
| 6 | Shock absorber-pair | - | - | - | K | GU23999270 | 2 | |
| 8 | Pipe | - | - | - | - | GU19556160 | 1 | |
| 9 | Air valve | - | - | - | - | GU28556250 | 2 | |
| 10 | Bored screw | - | - | - | - | GU28556450 | 1 | |
| 11 | Copper washer | - | - | - | - | GU28556350 | 4 | |
| 12 | Pin | - | - | - | - | GU23555281 | 1 | |
| 13 | Spacer | - | - | - | - | GU91181407 | 2 | |
| 14 | Washer | - | - | - | - | GU95100256 | 1 | |
| 15 | Silent-block | - | - | - | - | GU14551655 | 4 | |
| 16 | Screw M8X30 | - | - | - | - | GU98622430 | 2 | |
| 17 | Washer | - | - | - | - | GU95004208 | 2 | |
| 18 | Nut | - | - | - | - | GU92602410 | 1 | |
| 19 | Washer 10,2x18x2 | - | - | - | - | GU95004210 | 2 | |
| 20 | Pin | - | - | - | - | GU23555280 | 1 | |
| 21 | Plate | - | - | - | - | GU19498060 | 1 | |
| 22 | Special washer | - | - | - | - | GU61013800 | 1 | |
| 23 | Hex screw M6X20 | - | - | - | - | GU98054320 | 1 | |
| 24 | Clamp | - | - | - | - | GU23751310 | 1 | |
| 25 | Constructor dataplate | - | - | - | - | GU23769510 | 1 | |
| 26 | Screw | - | - | - | - | GU98326014 | 1 | |
| 27 | Turn indicator support grill | - | - | - | - | GU23505810 | 1 | |
| 28 | Pin | - | - | - | - | GU23922210 | 2 | |
| 29 | Screw | - | - | - | - | GU98822416 | 1 | |
| 30 | Spacer | - | - | - | - | GU91180706 | 1 | |



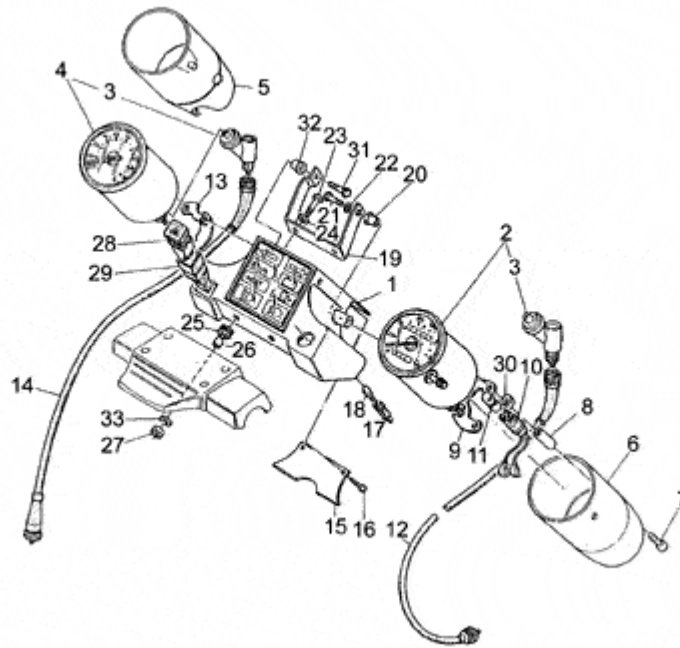
V 35 FLORIDA 350 1986-1990

GU059

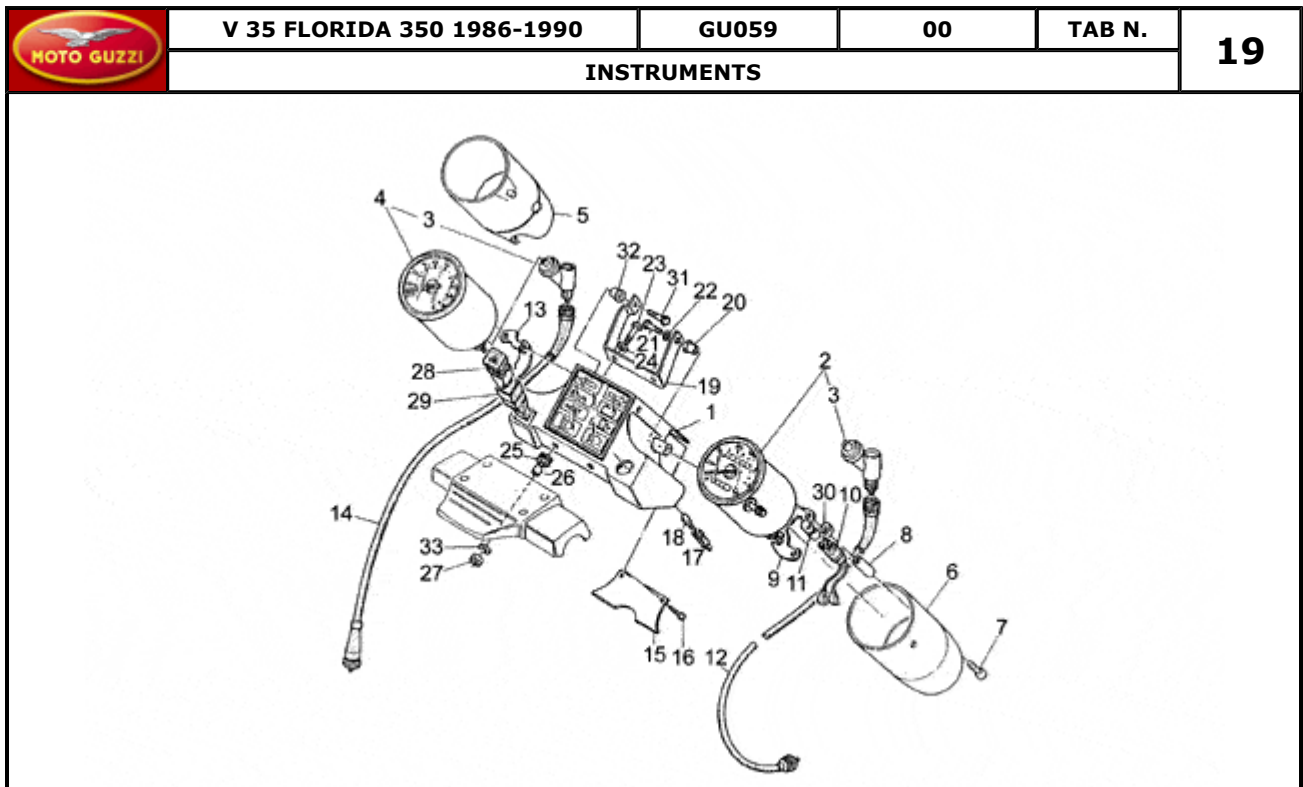
00

TAB N.

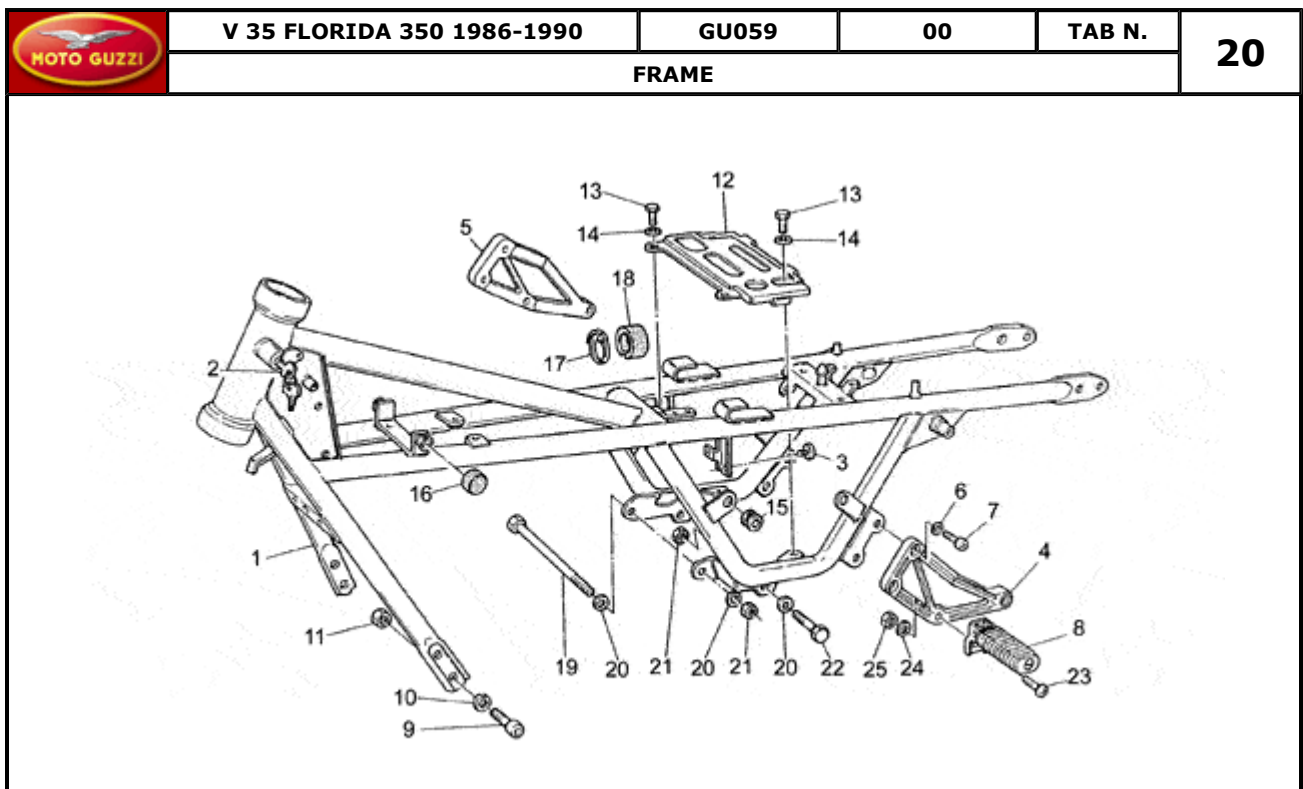
19



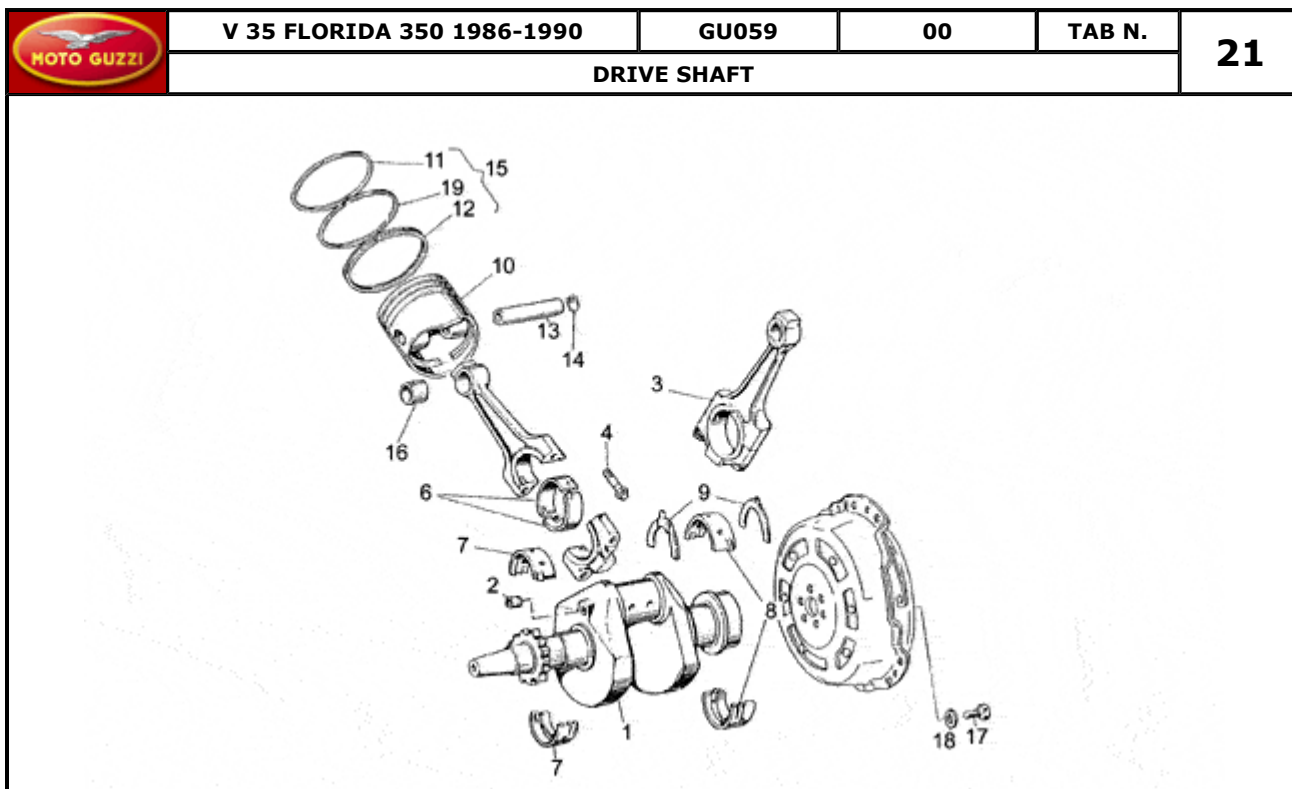
| Pos. | Description | Year | I_M | Country | Version | Code | Q.ty | P.Cod. |
|------|--------------------------|------|-----|---------|---------|------------|------|--------|
| 1 | Dashboard box assy. | - | - | - | - | GU23760010 | 1 | |
| 2 | Speedometer | - | - | - | - | GU23761510 | 1 | |
| 3 | Gear 60° | - | - | - | - | GU23768310 | 2 | |
| 4 | Tachometer | - | - | - | - | GU23767210 | 1 | |
| 5 | Rev counter container | - | - | - | - | GU23761910 | 1 | |
| 6 | Speedometer container | - | - | - | - | GU23762010 | 1 | |
| 7 | Screw | - | - | - | - | GU98290520 | 2 | |
| 8 | Spacer | - | - | - | - | GU23765110 | 2 | |
| 9 | Plate | - | - | - | - | GU23764910 | 1 | |
| 10 | Lampholder | - | - | - | - | GU14768650 | 2 | |
| 11 | Lamp 12v-3w | - | - | - | - | GU93450120 | 2 | |
| 12 | Speedometer transmission | - | - | - | - | GU27760410 | 1 | |
| 13 | Plate | - | - | - | - | GU23766510 | 1 | |
| 14 | Rev counter transmission | - | - | - | - | GU27768120 | 1 | |
| 15 | Lower cover | - | - | - | - | GU29765250 | 1 | |
| 16 | Self-tap screw | - | - | - | - | GU99210210 | 2 | |
| 17 | Lampholder | - | - | - | - | GU19768680 | 8 | |
| 18 | Lamp 12V-1,2W | - | - | - | - | GU93450140 | 8 | |
| 19 | U-bolt | - | - | - | - | GU23764110 | 1 | |
| 20 | Spacer | - | - | - | - | GU23766911 | 1 | |
| 21 | Screw | - | - | - | - | GU98054225 | 1 | |
| 22 | Washer | - | - | - | - | GU95004205 | 2 | |
| 23 | Hex screw M6X20 | - | - | - | - | GU98054320 | 2 | |
| 24 | Washer 6,15x11x0,8 | - | - | - | - | GU95004206 | 2 | |
| 25 | Rubber spacer | - | - | - | - | GU91551085 | 2 | |
| 26 | Spacer | - | - | - | - | GU91180607 | 2 | |
| 27 | Nut | - | - | - | - | GU92602206 | 2 | |
| 28 | Turn indicator switch | - | - | - | - | GU28745760 | 1 | |
| 29 | Rubber protection | - | - | - | - | GU35755780 | 1 | |
| 30 | Rubber spacer | - | - | - | - | GU93110060 | 4 | |
| 31 | Screw | - | - | - | - | GU98054230 | 1 | |
| 32 | Spacer | - | - | - | - | GU23766910 | 1 | |
| 33 | Washer 6,2X18X1 | - | - | - | - | GU95100118 | 2 | |




| Pos. | Description | Year | I_M | Country | Version | Code | Q.ty | P.Cod. |
|------|--------------------------|------|-----|---------|---------|------------|------|--------|
| 1 | Dashboard box assy. | - | - | - | - | GU23760010 | 1 | |
| 2 | Speedometer | - | - | - | - | GU23761510 | 1 | |
| 3 | Gear 60° | - | - | - | - | GU23768310 | 2 | |
| 4 | Tachometer | - | - | - | - | GU23767210 | 1 | |
| 5 | Rev counter container | - | - | - | - | GU23761910 | 1 | |
| 6 | Speedometer container | - | - | - | - | GU23762010 | 1 | |
| 7 | Screw | - | - | - | - | GU98290520 | 2 | |
| 8 | Spacer | - | - | - | - | GU23765110 | 2 | |
| 9 | Plate | - | - | - | - | GU23764910 | 1 | |
| 10 | Lampholder | - | - | - | - | GU14768650 | 2 | |
| 11 | Lamp 12v-3w | - | - | - | - | GU93450120 | 2 | |
| 12 | Speedometer transmission | - | - | - | - | GU27760410 | 1 | |
| 13 | Plate | - | - | - | - | GU23766510 | 1 | |
| 14 | Rev counter transmission | - | - | - | - | GU27768120 | 1 | |
| 15 | Lower cover | - | - | - | - | GU29765250 | 1 | |
| 16 | Self-tap screw | - | - | - | - | GU99210210 | 2 | |
| 17 | Lampholder | - | - | - | - | GU19768680 | 8 | |
| 18 | Lamp 12V-1,2W | - | - | - | - | GU93450140 | 8 | |
| 19 | U-bolt | - | - | - | - | GU23764110 | 1 | |
| 20 | Spacer | - | - | - | - | GU23766911 | 1 | |
| 21 | Screw | - | - | - | - | GU98054225 | 1 | |
| 22 | Washer | - | - | - | - | GU95004205 | 2 | |
| 23 | Hex screw M6X20 | - | - | - | - | GU98054320 | 2 | |
| 24 | Washer 6,15x11x0,8 | - | - | - | - | GU95004206 | 2 | |
| 25 | Rubber spacer | - | - | - | - | GU91551085 | 2 | |
| 26 | Spacer | - | - | - | - | GU91180607 | 2 | |
| 27 | Nut | - | - | - | - | GU92602206 | 2 | |
| 28 | Turn indicator switch | - | - | - | - | GU28745760 | 1 | |
| 29 | Rubber protection | - | - | - | - | GU35755780 | 1 | |
| 30 | Rubber spacer | - | - | - | - | GU93110060 | 4 | |
| 31 | Screw | - | - | - | - | GU98054230 | 1 | |
| 32 | Spacer | - | - | - | - | GU23766910 | 1 | |
| 33 | Washer 6,2X18X1 | - | - | - | - | GU95100118 | 2 | |

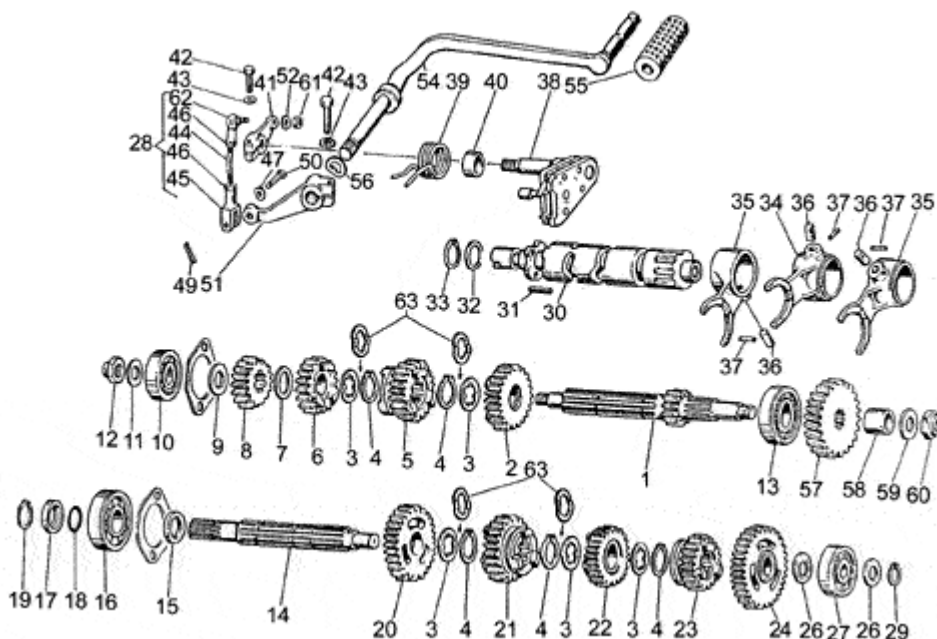


| Pos. | Description | Year | I_M_ | Country | Version | Code | Q.ty | P.Cod. |
|------|---------------------|------|------|---------|---------|------------|------|--------|
| 1 | Frame | - | - | - | - | GU23400110 | 1 | |
| 2 | Lock | - | - | - | - | GU19782520 | 1 | |
| 3 | Drift | - | - | - | - | GU19705900 | 4 | |
| 4 | LH footrest support | - | - | - | - | GU23446010 | 1 | |
| 5 | RH footrest support | - | - | - | - | GU23443510 | 1 | |
| 6 | Washer 8,4X13X0,8 | - | - | - | - | GU14615901 | 4 | |
| 7 | Screw | - | - | - | - | GU98622416 | 4 | |
| 8 | Rear footrest | - | - | - | - | GU23442310 | 2 | |
| 9 | Screw 25 mm | - | - | - | - | GU98622525 | 4 | |
| 10 | Washer | - | - | - | - | GU95120105 | 4 | |
| 11 | Nut | - | - | - | - | GU92602210 | 4 | |
| 12 | Plate | - | - | - | - | GU27418210 | 1 | |
| 13 | Screw | - | - | - | - | GU98054418 | 4 | |
| 14 | Washer | - | - | - | - | GU95004208 | 4 | |
| 15 | Rubber spacer | - | - | - | - | GU91551085 | 4 | |
| 16 | Drift | - | - | - | - | GU39103400 | 2 | |
| 17 | Hose clamp 3,6x20,6 | - | - | - | - | GU14609650 | 2 | |
| 18 | Drift | - | - | - | - | GU28109040 | 2 | |
| 19 | Pin M10x205 | - | - | - | - | GU98110199 | 1 | |
| 20 | Washer 10,2x18x2 | - | - | - | - | GU95004210 | 4 | |
| 21 | Nut | - | - | - | - | GU92602210 | 3 | |
| 22 | Screw | - | - | - | - | GU98052555 | 2 | |
| 23 | Screw | - | - | - | - | GU98231025 | 2 | |
| 24 | Washer 10,5X21X1 | - | - | - | - | GU14018400 | 2 | |
| 25 | Nut | - | - | - | - | GU92601210 | 2 | |



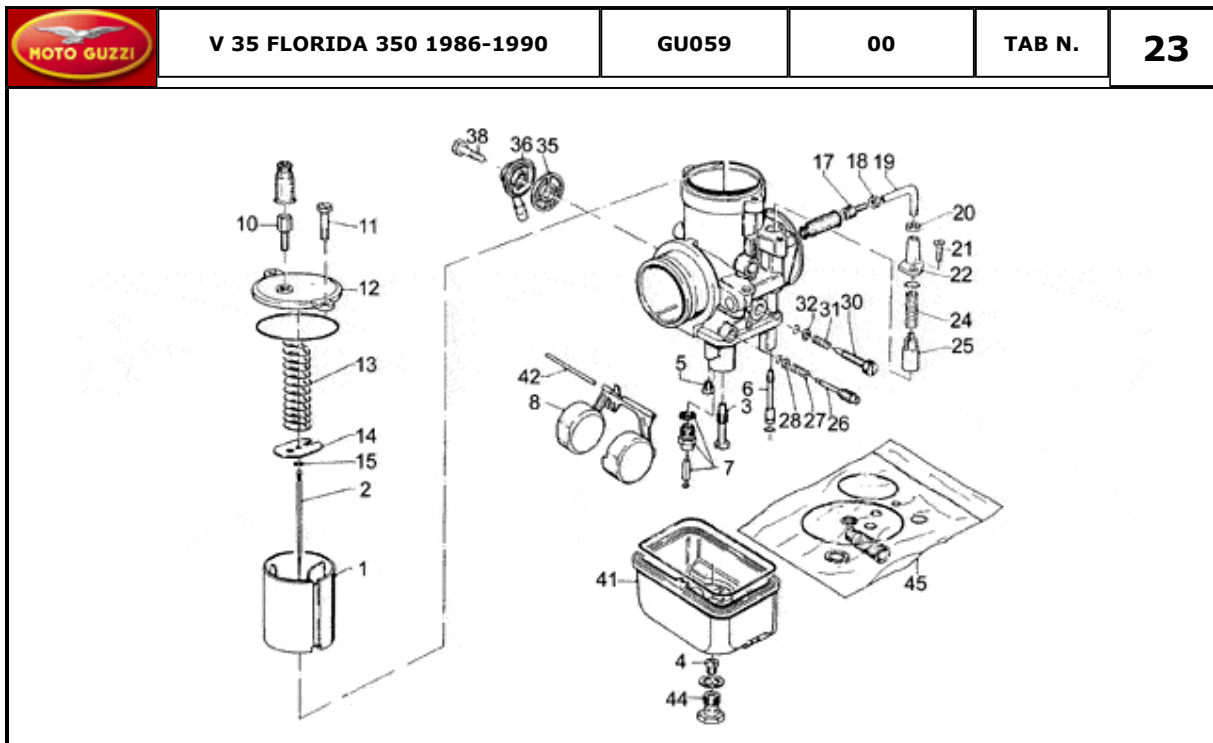
| Pos. | Description | Year | I_M | Country | Version | Code | Q.ty | P.Cod. |
|------|-------------------------|------|-----|---------|---------|------------|------|--------|
| 1 | Drive shaft | - | - | - | - | GU31064100 | 1 | |
| 2 | Plug | - | - | - | - | GU19065400 | 1 | |
| 3 | Connecting rod | - | - | - | - | GU19061521 | 2 | |
| 4 | Screw | - | - | - | - | GU19062221 | 4 | |
| 6 | Bearing half-shell | - | - | - | - | GU19062022 | 4 | |
| 7 | Front main half-bearing | - | - | - | - | GU19065623 | 2 | |
| 8 | Rear main half-bearing | - | - | - | - | GU19066522 | 2 | |
| 9 | Shoulder | - | - | - | - | GU31066480 | 2 | |
| 10 | Piston | - | - | - | - | GU31060400 | 2 | |
| 11 | Ring | - | - | - | - | GU19060750 | 2 | |
| 12 | Scraper ring | - | - | - | - | GU27061080 | 2 | |
| 13 | Piston pin | - | - | - | - | GU19061280 | 2 | |
| 14 | Stop ring | - | - | - | - | GU19061320 | 4 | |
| 15 | Pistonring set | - | - | - | - | GU27060680 | 2 | |
| 16 | Bush | - | - | - | - | GU19061821 | 2 | |
| 17 | Screw | - | - | - | - | GU19067700 | 6 | |
| 18 | Washer 8,4X13X0,8 | - | - | - | - | GU14615901 | 6 | |
| 19 | Piston ring | - | - | - | - | GU27060880 | 2 | |

| | | | | | |
|---|-----------------------------------|--------------|-----------|---------------|-----------|
|  | V 35 FLORIDA 350 1986-1990 | GU059 | 00 | TAB N. | 22 |
|---|-----------------------------------|--------------|-----------|---------------|-----------|



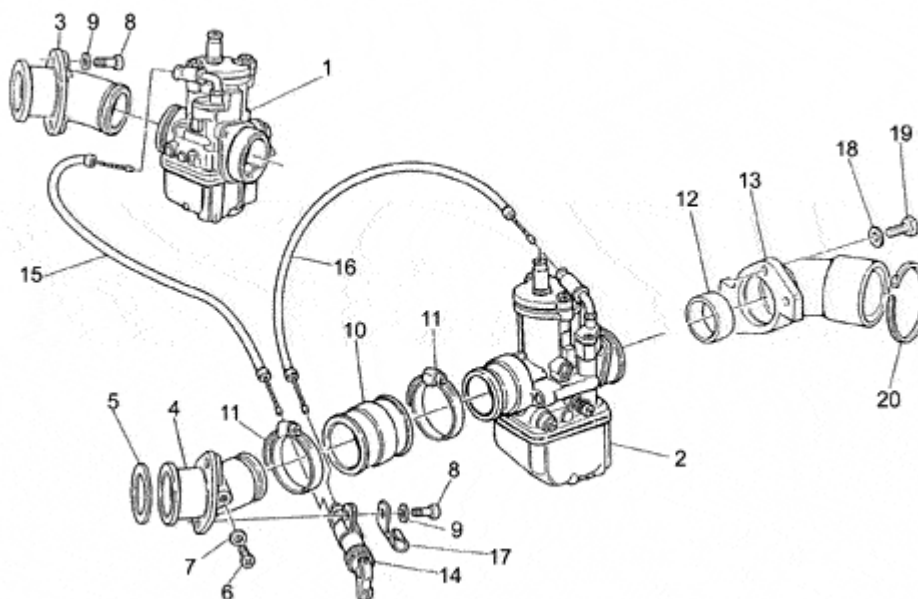
| Pos. | Description | Year | I_M | Country | Version | Code | Q.ty | P.Cod. |
|------|----------------------------|------|-----|---------|---------|------------|------|--------|
| 1 | Primary gear shaft Z=11 | - | - | - | - | GU19210520 | 1 | |
| 2 | Gear 5a AS Z=22 | - | - | - | - | GU19212020 | 1 | |
| 3 | Thrust washer mm1 | - | - | - | - | GU19215420 | 5 | |
| 4 | Circlip | - | - | - | - | GU90271220 | 5 | |
| 5 | Gear 4a AS Z=22 | - | - | - | - | GU19211820 | 1 | |
| 6 | Gear 3a AS Z=18 | - | - | - | - | GU19211420 | 1 | |
| 7 | Thrust washer | - | - | - | - | GU19214620 | 1 | |
| 8 | Gear | - | - | - | - | GU19211320 | 1 | |
| 9 | Washer | - | - | - | - | GU19212800 | 1 | |
| 10 | Ball bearing | - | - | - | - | GU92201415 | 1 | |
| 11 | Clearance washer | - | - | - | - | GU39238100 | 1 | |
| 12 | Nut | - | - | - | - | GU10054100 | 1 | |
| 13 | Bearing 20X47X14 | - | - | - | - | GU92201220 | 1 | |
| 14 | Driven shaft | - | - | - | - | GU19213620 | 1 | |
| 15 | Spacer | - | - | - | - | GU19212900 | 1 | |
| 16 | Bearing 20X47X14 | - | - | - | - | GU92201220 | 1 | |
| 17 | Spacer | - | - | - | - | GU19213720 | 1 | |
| 18 | Gasket ring 18,77X1,78 | - | - | - | - | GU90706188 | 1 | |
| 19 | Circlip | - | - | - | - | GU90271121 | 1 | |
| 20 | Gear | - | - | - | - | GU19214501 | 1 | |
| 21 | Gear | - | - | - | - | GU19214820 | 1 | |
| 22 | Gear | - | - | - | - | GU19215121 | 1 | |
| 23 | Gear | - | - | - | - | GU19215220 | 1 | |
| 24 | Gear | - | - | - | - | GU19214001 | 1 | |
| 26 | Spacer | - | - | - | - | GU35214300 | 2 | |
| 27 | Ball bearing | - | - | - | - | GU92201415 | 1 | |
| 28 | Change gear tie rod compl. | - | - | - | - | GU19257701 | 1 | |
| 29 | Circlip | - | - | - | - | GU90271115 | 1 | |
| 30 | Shift cam | - | - | - | - | GU19234420 | 1 | |
| 31 | Pin | - | - | - | - | GU19234600 | 4 | |
| 32 | Spacer 1 mm | - | - | - | - | GU19355300 | 1 | |
| 33 | Snap ring | - | - | - | - | GU90271020 | 1 | |
| 34 | Fork AP | - | - | - | - | GU19231220 | 1 | |

| | | | | | | | | |
|----|---------------------------|---|---|---|--------|---|------------|---|
| 35 | Fork AS | - | - | - | - | - | GU19231020 | 2 |
| 36 | Roller | - | - | - | - | - | GU92297909 | 3 |
| 37 | Pin | - | - | - | - | - | GU95520316 | 3 |
| 38 | Pre-selector kit | - | - | - | 01397N | - | GU20999520 | 1 |
| 39 | Spring | - | - | - | 01397N | - | GU28238261 | 1 |
| | Spring | - | - | - | - | - | GU61238200 | 1 |
| 40 | Spacer | - | - | - | 01397N | - | GU20208520 | 1 |
| | Bush | - | - | - | - | - | GU91182010 | 1 |
| 41 | Shift lever | - | - | - | - | - | GU19258220 | 1 |
| 42 | Screw | - | - | - | - | - | GU98052325 | 2 |
| 43 | Washer | - | - | - | - | - | GU95000206 | 2 |
| 44 | Tie rod | - | - | - | - | - | GU18257950 | 1 |
| 45 | Fork | - | - | - | - | - | GU12626800 | 1 |
| 46 | Nut | - | - | - | - | - | GU92602206 | 2 |
| 47 | Washer | - | - | - | - | - | GU95129110 | 1 |
| 49 | Split pin | - | - | - | - | - | GU95500222 | 1 |
| 50 | Pin | - | - | - | - | - | GU95770265 | 1 |
| 51 | Lever | - | - | - | - | - | GU19256900 | 1 |
| 52 | Special washer | - | - | - | - | - | GU61013800 | 1 |
| 54 | Complete gearchange lever | - | - | - | - | - | GU19250900 | 1 |
| 55 | Rubber spacer | - | - | - | - | - | GU14251001 | 1 |
| 56 | Spring washer | - | - | - | - | - | GU95129260 | 1 |
| 57 | Gear Z=24 | - | - | - | - | - | GU19211120 | 1 |
| 58 | Bush | - | - | - | - | - | GU19266720 | 1 |
| 59 | Clearance washer | - | - | - | - | - | GU39238100 | 1 |
| 60 | Nut | - | - | - | - | - | GU10054100 | 1 |
| 61 | Nut M6x1 | - | - | - | - | - | GU92630106 | 1 |
| 62 | Ball joint | - | - | - | - | - | GU18258101 | 1 |
| 63 | Washer | - | - | - | - | - | GU19214320 | 4 |

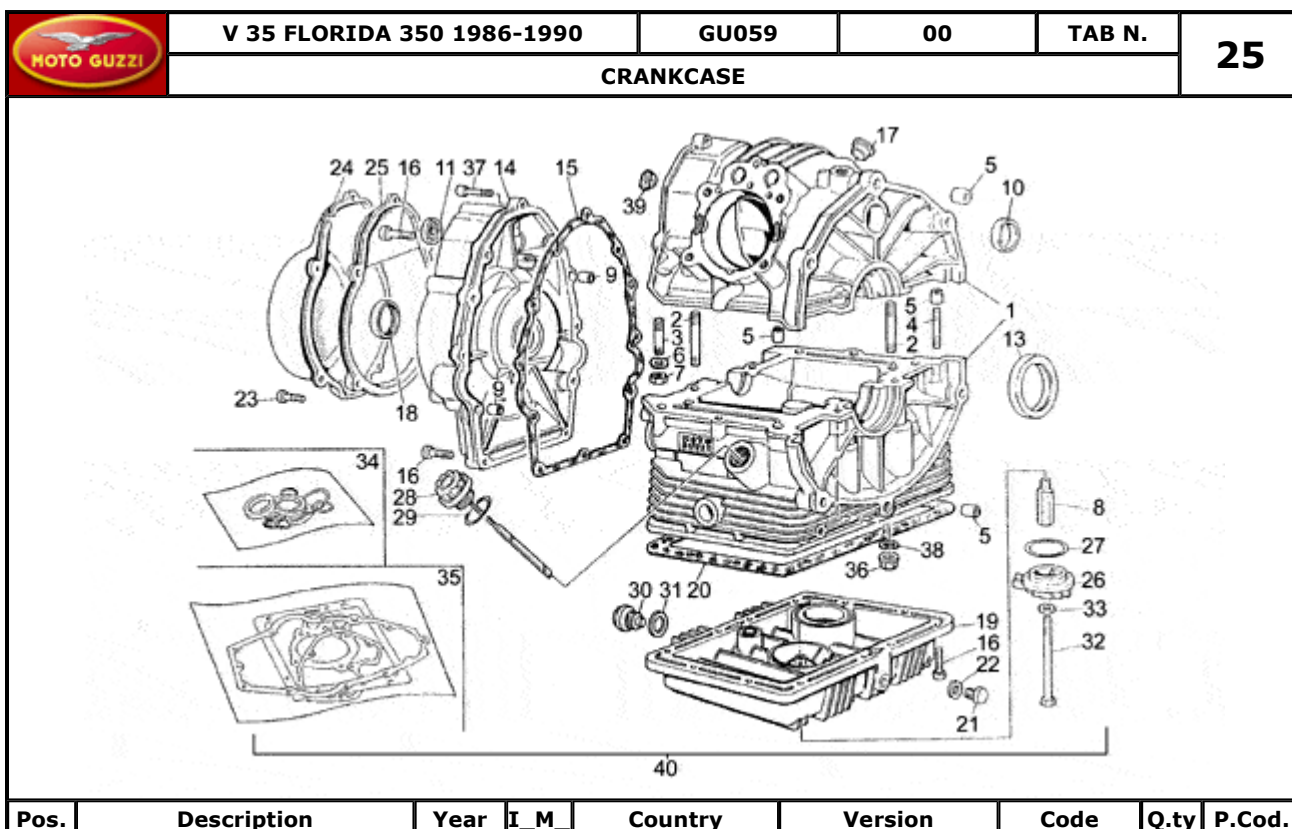


| Pos. | Description | Year | I_M | Country | Version | Code | Q.ty | P.Cod. |
|------|--------------------------|------|-----|---------|---------|------------|------|--------|
| 1 | Gas valve 30 | - | - | - | - | GU27934820 | 2 | |
| 2 | Conical pin 19-2a | - | - | - | - | GU23937710 | 2 | |
| 3 | Needle valve 262H | - | - | - | - | GU27935521 | 2 | |
| 4 | Main jet | - | - | - | - | GU17935767 | 2 | |
| 5 | Idle jet 42 | - | - | - | - | GU23935910 | 2 | |
| 6 | Starter jet 60 | - | - | - | - | GU19936000 | 2 | |
| 7 | Needle valve | - | - | - | - | GU19934600 | 2 | |
| 8 | Float gr.9,5 | - | - | - | - | GU27934315 | 2 | |
| 10 | Wire tensioner screw | - | - | - | - | GU12937200 | 2 | |
| 11 | Screw | - | - | - | - | GU14934650 | 2 | |
| 12 | Cover | - | - | - | - | GU19935080 | 2 | |
| 13 | Gas valve return spring | - | - | - | - | GU19937180 | 2 | |
| 14 | Plate | - | - | - | - | GU19938580 | 2 | |
| 15 | Conical pin clip | - | - | - | - | GU65933600 | 2 | |
| 17 | Wire tensioner screw | - | - | - | - | GU53937200 | 2 | |
| 18 | Nut | - | - | - | - | GU12937300 | 2 | |
| 19 | Pipe | - | - | - | - | GU49938900 | 2 | |
| 20 | Nut | - | - | - | - | GU19938880 | 4 | |
| 21 | Screw | - | - | - | - | GU13937900 | 2 | |
| 22 | Starter device cover | - | - | - | - | GU17937450 | 2 | |
| 24 | Valve spring | - | - | - | - | GU39937600 | 2 | |
| 25 | Starter valve | - | - | - | - | GU13937800 | 2 | |
| 26 | Adj.min.eng.speed screw | - | - | - | - | GU13936200 | 2 | |
| 27 | Spring | - | - | - | - | GU13936300 | 2 | |
| 28 | Flat washer | - | - | - | - | GU65933700 | 2 | |
| 30 | Gas valve adjuster screw | - | - | - | - | GU13936600 | 2 | |
| 31 | Spring | - | - | - | - | GU13936700 | 2 | |
| 32 | Flat washer | - | - | - | - | GU14931650 | 2 | |
| 35 | Fuel filter | - | - | - | - | GU43934000 | 2 | |
| 36 | Fuel pipe union cap | - | - | - | - | GU13934600 | 2 | |
| 38 | Cap fixing screw | - | - | - | - | GU10934900 | 2 | |
| 41 | Aluminium float chamber | - | - | - | - | GU19934480 | 2 | |
| | Float chamber plastica | - | - | - | 03399N | GU31934460 | 2 | |
| 42 | Float pin | - | - | - | - | GU13933100 | 2 | |
| 44 | Plug with OR | - | - | - | - | GU10933700 | 2 | |
| 45 | Gaskets set | - | - | - | - | GU19939980 | 1 | |

| | | | | | |
|---|-----------------------------------|--------------|-----------|---------------|-----------|
|  | V 35 FLORIDA 350 1986-1990 | GU059 | 00 | TAB N. | 24 |
| | CARBURETTORS | | | | |




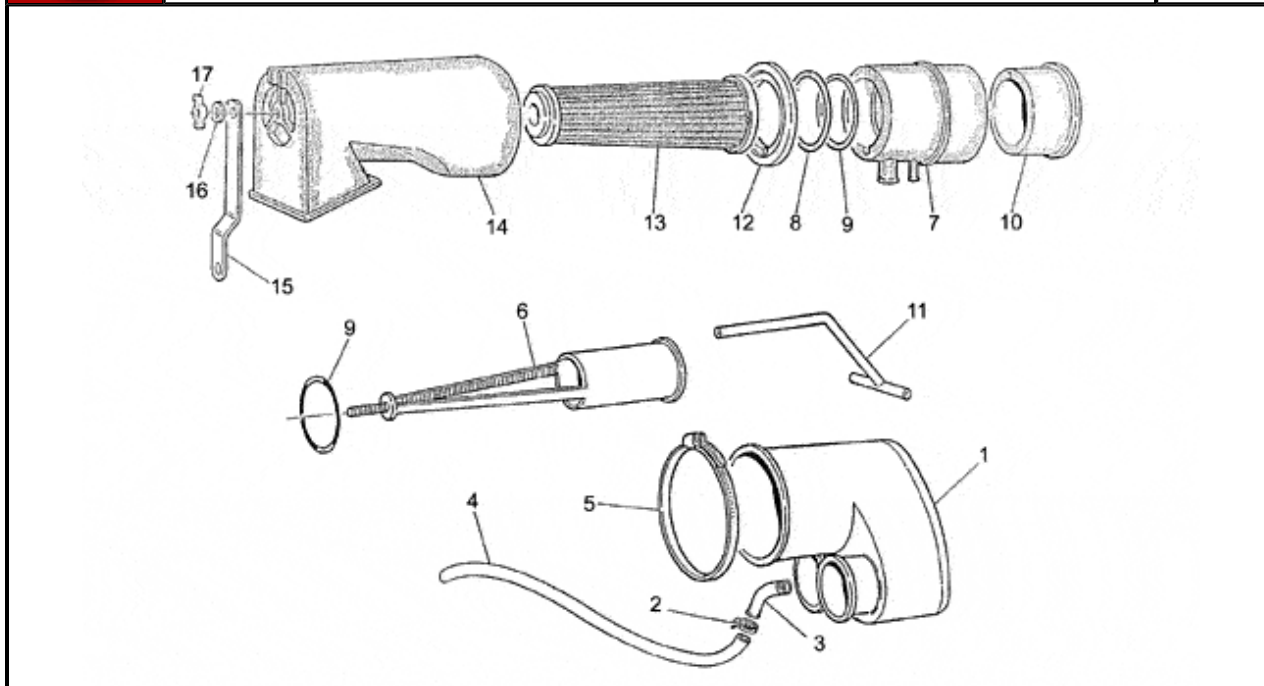
| Pos. | Description | Year | I_M | Country | Version | Code | Q.ty | P.Cod. |
|------|------------------------|------|-----|---------|---------|------------|------|--------|
| 1 | Carburettor RH PHBH 28 | - | - | - | - | GU27112615 | 1 | |
| 2 | Carburettor LH PHBH 28 | - | - | - | - | GU27112616 | 1 | |
| 3 | RH intake manifold | - | - | - | - | GU31115000 | 1 | |
| 4 | LH intake manifold | - | - | - | - | GU31115001 | 1 | |
| 5 | Gasket | - | - | - | - | GU19115580 | 2 | |
| 6 | Special screw M6X10 | - | - | - | - | GU98310611 | 2 | |
| 7 | Washer 6,25x10x1,5 | - | - | - | - | GU95100116 | 2 | |
| 8 | Screw | - | - | - | - | GU98812325 | 4 | |
| 9 | Special washer | - | - | - | - | GU61013800 | 4 | |
| 10 | Hose | - | - | - | - | GU19114360 | 2 | |
| 11 | Hose clamp | - | - | - | - | GU93305045 | 4 | |
| 12 | Gasket ring | - | - | - | - | GU19114680 | 2 | |
| 13 | Manifold | - | - | - | - | GU19114480 | 2 | |
| 14 | Starter | - | - | - | - | GU23133100 | 1 | |
| 15 | Choke cable | - | - | - | - | GU19133500 | 1 | |
| 16 | LH choke cable | - | - | - | - | GU19134000 | 1 | |
| 17 | Hose clamp | - | - | - | - | GU19718000 | 1 | |
| 18 | Washer | - | - | - | - | GU95000205 | 4 | |
| 19 | Screw | - | - | - | - | GU98054220 | 4 | |
| 20 | Hose clamp 3,6x20,6 | - | - | - | - | GU14609650 | 2 | |



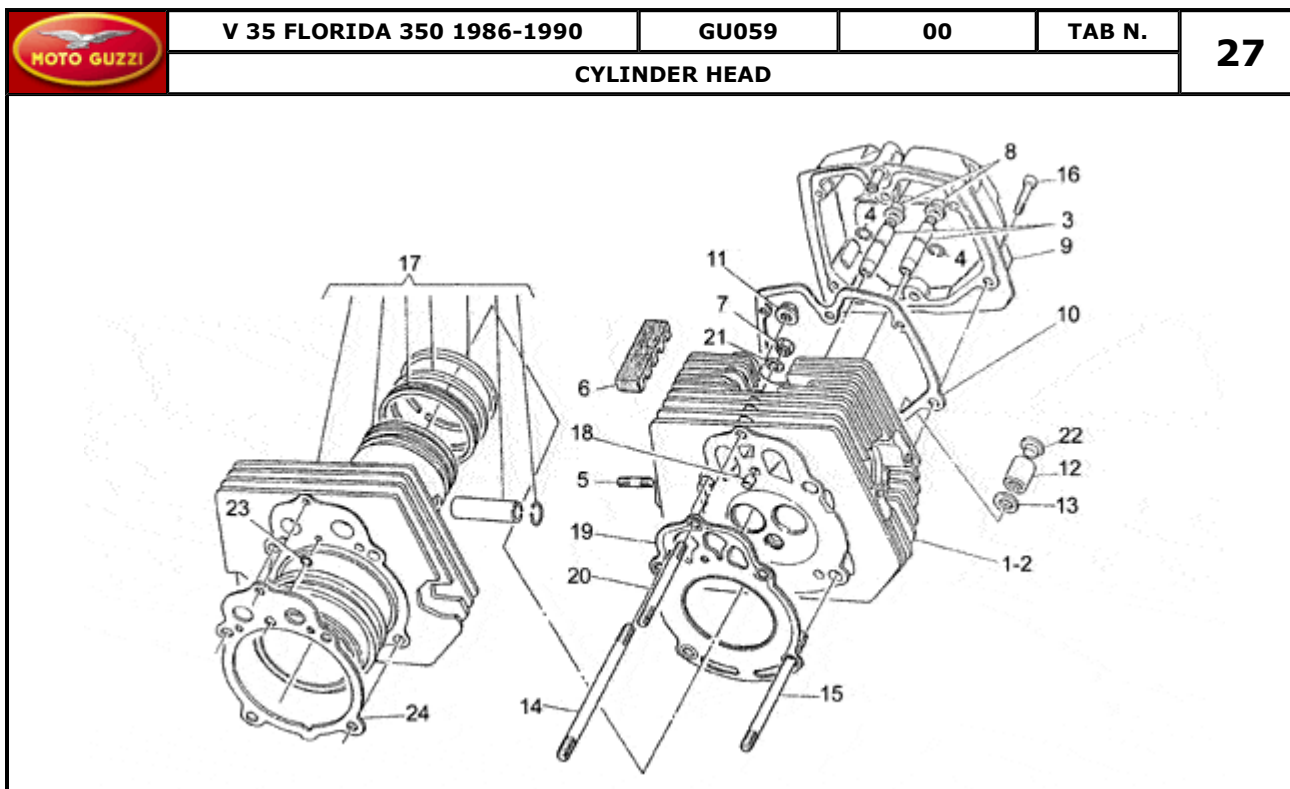
| Pos. | Description | Year | I_M_ | Country | Version | Code | Q.ty | P.Cod. |
|------|------------------------|------|------|---------|---------|------------|------|--------|
| 1 | Crankcase | - | - | - | - | GU31000100 | 1 | |
| 2 | Stud bolt | - | - | - | - | GU96451560 | 4 | |
| 3 | Stud bolt | - | - | - | - | GU96451430 | 4 | |
| 4 | Stud bolt | - | - | - | - | GU96508055 | 2 | |
| 5 | Bush | - | - | - | - | GU19015020 | 4 | |
| 6 | Spring washer 8x15x0,3 | - | - | - | - | GU61270300 | 6 | |
| 7 | Nut | - | - | - | - | GU92601208 | 6 | |
| 8 | Union | - | - | - | - | GU19003800 | 1 | |
| 9 | Bush 6,6x9x13 | - | - | - | - | GU19002020 | 2 | |
| 10 | Plug | - | - | - | - | GU19016320 | 1 | |
| 11 | Gasket ring | - | - | - | - | GU90401530 | 1 | |
| 13 | Gasket ring | - | - | - | - | GU90405367 | 1 | |
| 14 | Timing system cover | - | - | - | - | GU31001431 | 1 | |
| 15 | Gasket | - | - | - | - | GU19001200 | 1 | |
| 16 | Screw | - | - | - | - | GU98610325 | 22 | |
| 17 | Plug | - | - | - | - | GU19017120 | 1 | |
| 18 | Gasket ring 28x38x7 | - | - | - | - | GU90402840 | 1 | |
| 19 | Oil sump black | - | - | - | - | GU27003550 | 1 | |
| 20 | Gasket | - | - | - | - | GU19003602 | 1 | |
| 21 | Oil plug | - | - | - | - | GU95980213 | 1 | |
| 22 | Gasket | - | - | - | - | GU10528900 | 1 | |
| 23 | Hex socket screw M6x18 | - | - | - | - | GU98610335 | 5 | |
| 24 | Cover | - | - | - | - | GU27001636 | 1 | |
| 25 | Flange | - | - | - | - | GU27001136 | 1 | |
| 26 | Plug | - | - | - | - | GU31003431 | 1 | |
| 27 | O-ring | - | - | - | - | GU90706444 | 1 | |
| 28 | Oil filler plug | - | - | - | - | GU19004920 | 1 | |
| 29 | Gasket ring | - | - | - | - | GU90706282 | 1 | |
| 30 | Oil unload plug | - | - | - | - | GU12003702 | 1 | |
| 31 | Gasket 20,1x28x2 | - | - | - | - | GU95100709 | 1 | |
| 32 | Bolt | - | - | - | - | GU98072490 | 1 | |
| 33 | Gasket 8,25x15x1 | - | - | - | - | GU12154200 | 1 | |
| 34 | Oil seals - set | - | - | - | - | GU31999565 | 1 | |

| | | | | | | | | |
|----|--------------------|---|---|---|---|---|------------|---|
| 35 | Engine set gasket | - | - | - | - | - | GU19999080 | 1 |
| 36 | Column nut | - | - | - | - | - | GU92660010 | 4 |
| 37 | Screw M6x30 | - | - | - | - | - | GU98610330 | 2 |
| 38 | Washer 10,5X18X0,8 | - | - | - | - | - | GU95129180 | 4 |
| 39 | Gasket | - | - | - | - | - | GU31016900 | 2 |
| 40 | Engine | - | - | - | - | - | GU31991000 | 1 |

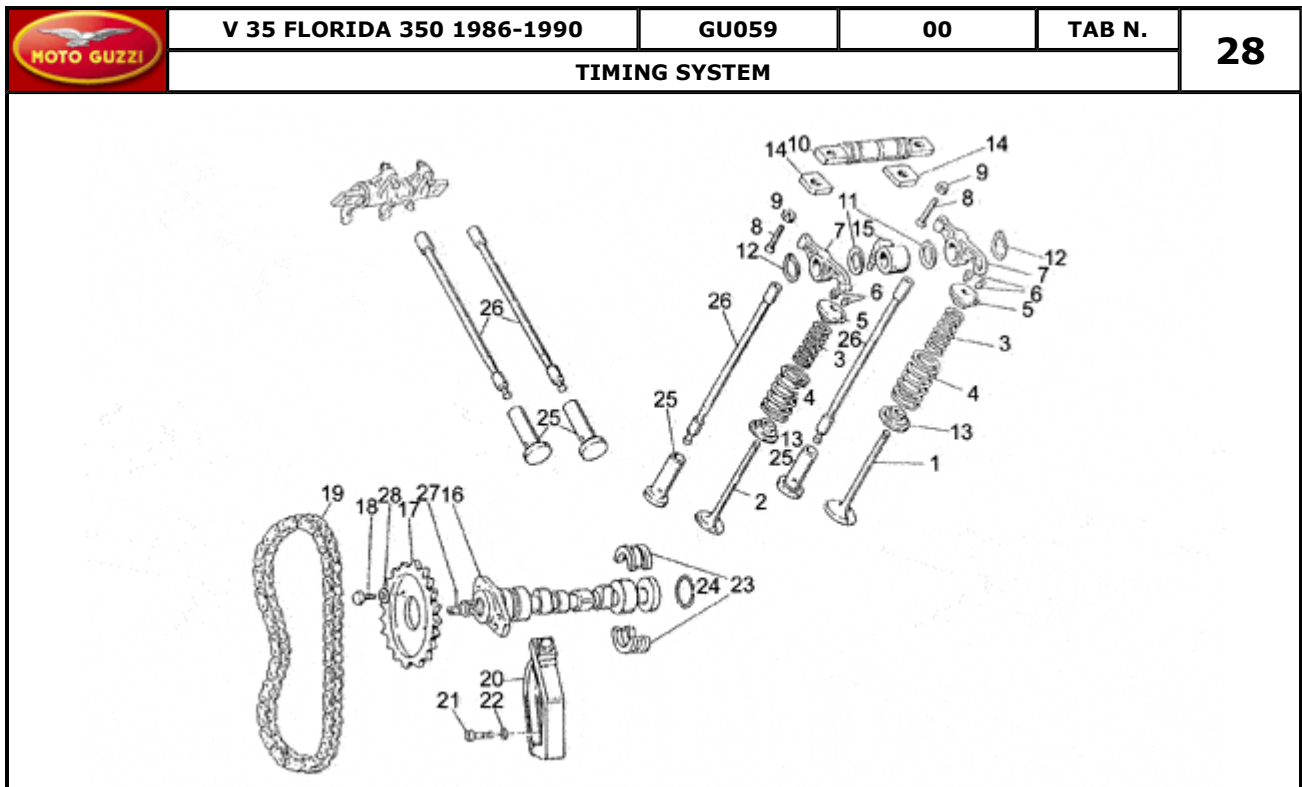
| | | | | | |
|---|----------------------------|-------|----|--------|----|
|  | V 35 FLORIDA 350 1986-1990 | GU059 | 00 | TAB N. | 26 |
| | AIR FILTER | | | | |




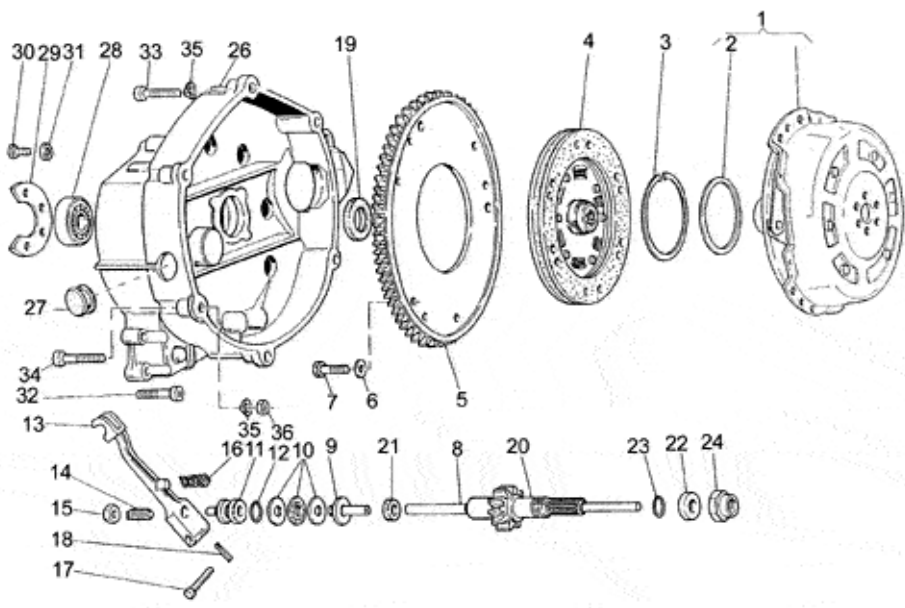
| Pos. | Description | Year | I_M_ | Country | Version | Code | Q.ty | P.Cod. |
|------|---------------------|------|------|---------|---------|---------------|------|--------|
| 1 | Intake manifold | - | - | - | - | GU19114300 | 1 | |
| 2 | Hose clamp | - | - | - | - | GU93305092 | 1 | |
| 3 | Pipe | - | - | - | - | GU17114650 | 1 | |
| 4 | Rubber pipe 5X9 | - | - | - | - | GU00823944050 | 1 | |
| 5 | Hose clamp 3,6x20,6 | - | - | - | - | GU14609650 | 1 | |
| 6 | Air filter support | - | - | - | - | GU19155775 | 1 | |
| 7 | Front hose | - | - | - | - | GU19156701 | 1 | |
| 8 | Gasket | - | - | - | - | GU19113900 | 1 | |
| 9 | Gasket ring | - | - | - | - | GU90706552 | 2 | |
| 10 | Rear hose | - | - | - | - | GU19156900 | 1 | |
| 11 | Breather pipe | - | - | - | - | GU19156001 | 1 | |
| 12 | Ring | - | - | - | - | GU17113450 | 1 | |
| 13 | Air filter | - | - | - | - | GU17113651 | 1 | |
| 14 | Filter cover | - | - | - | - | GU17114050 | 1 | |
| 15 | Support plate | - | - | - | - | GU27114120 | 1 | |
| 16 | Washer 5,25x14x1,5 | - | - | - | - | GU95100059 | 1 | |
| 17 | Nut | - | - | - | - | GU92670305 | 1 | |

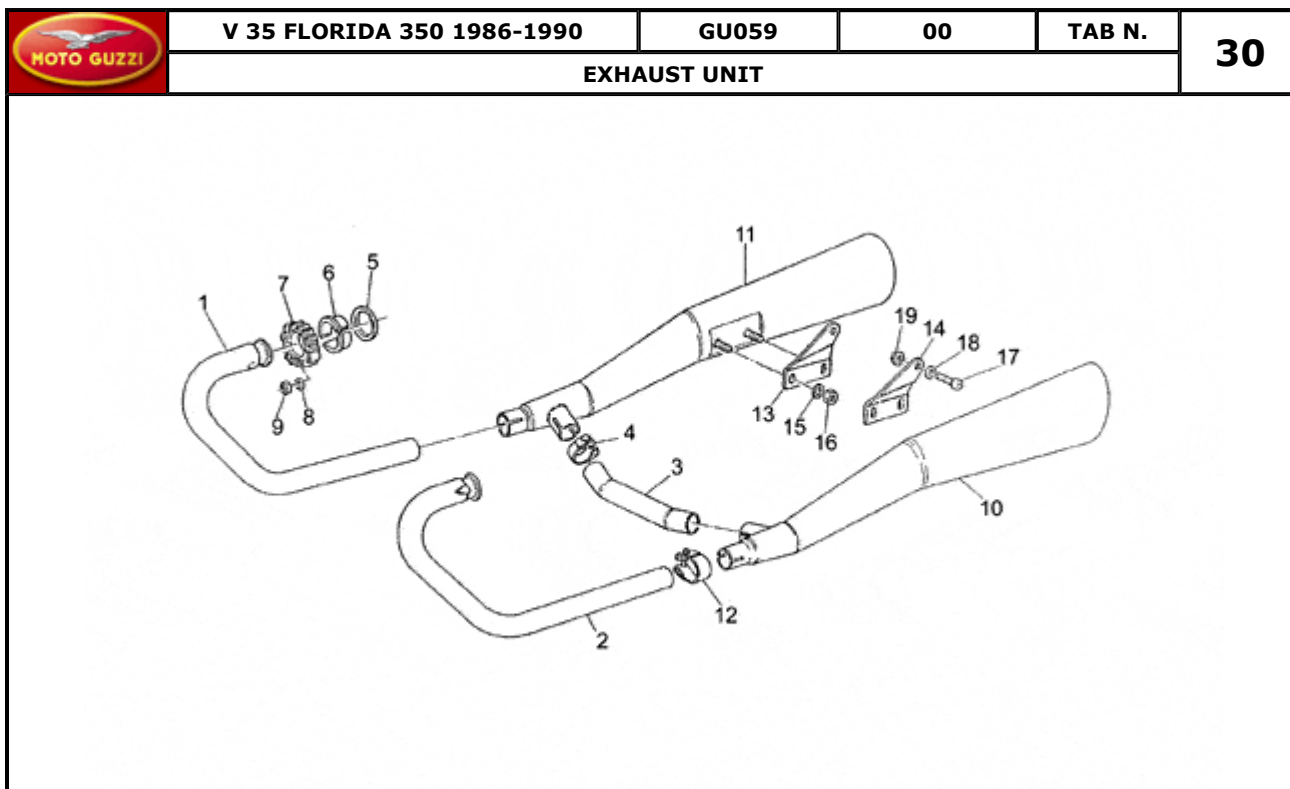


| Pos. | Description | Year | I_M | Country | Version | Code | Q.ty | P.Cod. |
|------|------------------------|------|-----|---------|---------|------------|------|--------|
| 1 | RH cylinder head | - | - | - | - | GU23022170 | 1 | |
| 2 | LH cylinder head | - | - | - | - | GU23022270 | 1 | |
| 3 | Valve guide | - | - | - | - | GU61036801 | 4 | |
| 4 | Snap ring | - | - | - | - | GU90353009 | 4 | |
| 5 | Stud bolt | - | - | - | - | GU96506042 | 4 | |
| 6 | Anti-vibration plate | - | - | - | - | GU19025300 | 4 | |
| 7 | Nut | - | - | - | - | GU23021910 | 2 | |
| 8 | Oil seal | - | - | - | - | GU19037820 | 4 | |
| 9 | Valves cover, stain. | - | - | - | - | GU31023500 | 2 | |
| 10 | Gasket | - | - | - | - | GU19023700 | 2 | |
| 11 | Nut M10X1,5 | - | - | - | - | GU92603010 | 4 | |
| 12 | Nut | - | - | - | - | GU31021900 | 4 | |
| 13 | Washer 10,5X18X0,8 | - | - | - | - | GU95129180 | 4 | |
| 14 | Long tie rod | - | - | - | - | GU96510177 | 4 | |
| 15 | Short tie rod | - | - | - | - | GU96510120 | 4 | |
| 16 | Hex socket screw M6X25 | - | - | - | - | GU98622325 | 12 | |
| 17 | Cylinder with piston | - | - | - | - | GU31060100 | 2 | |
| 18 | Bush | - | - | - | - | GU19021320 | 2 | |
| 19 | Gasket | - | - | - | - | GU27022080 | 2 | |
| 20 | Tie rod | - | - | - | - | GU96500102 | 2 | |
| 21 | Spring washer 8x15x0,3 | - | - | - | - | GU61270300 | 2 | |
| 22 | Plug | - | - | - | - | GU93180245 | 4 | |
| 23 | O-ring | - | - | - | - | GU61027200 | 2 | |
| 24 | Gasket | - | - | - | - | GU27020820 | 2 | |

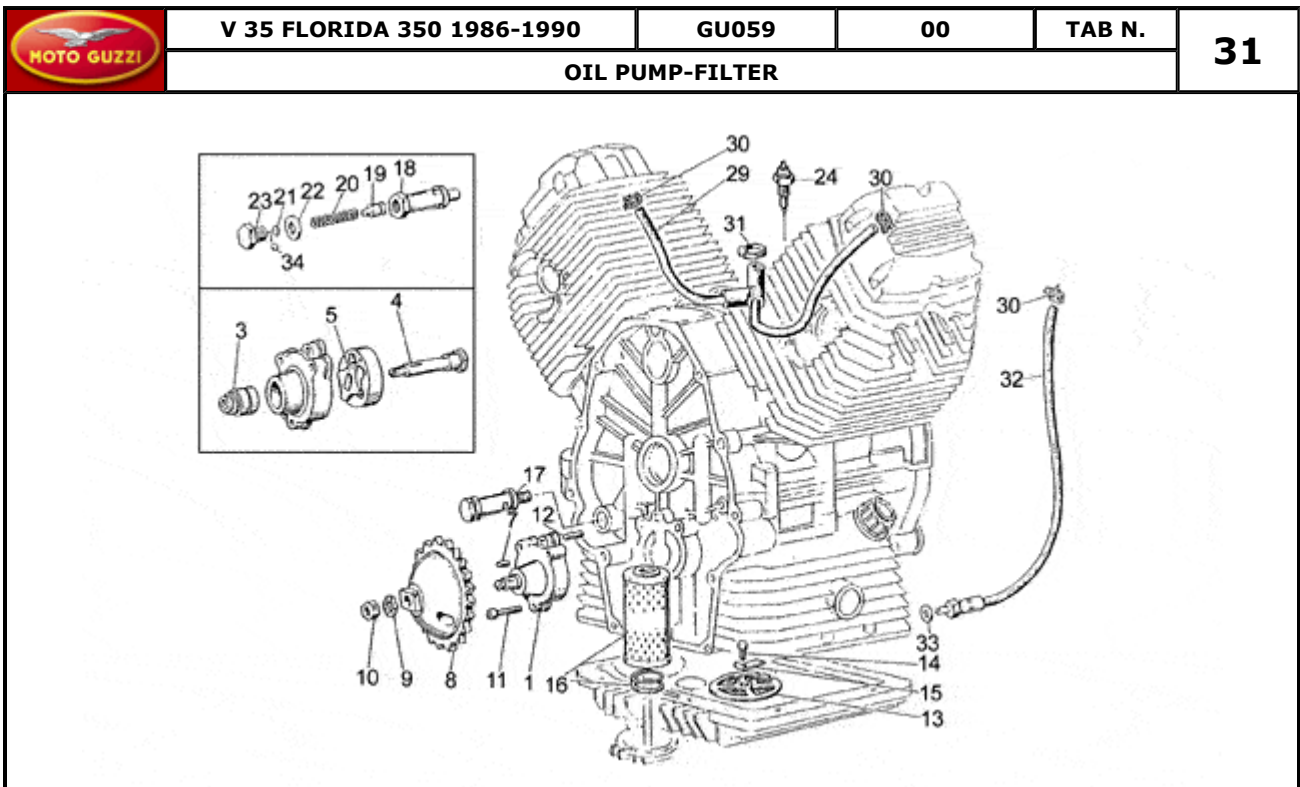


| Pos. | Description | Year | I_M_ | Country | Version | Code | Q.ty | P.Cod. |
|------|------------------------|------|------|---------|---------|------------|------|--------|
| 1 | Intake valve | - | - | - | - | GU19036082 | 2 | |
| 2 | Exhaust valve | - | - | - | - | GU19036183 | 2 | |
| 3 | Spring | - | - | - | - | GU61037600 | 4 | |
| 4 | Spring | - | - | - | - | GU61037500 | 4 | |
| 5 | Upper cup | - | - | - | - | GU61038000 | 4 | |
| 6 | Half-cone | - | - | - | - | GU61038100 | 8 | |
| 7 | Rocker arm assy. | - | - | - | - | GU19030500 | 4 | |
| 8 | Screw | - | - | - | - | GU19034000 | 4 | |
| 9 | Nut M6x1 | - | - | - | - | GU92602406 | 4 | |
| 10 | Rocker shaft | - | - | - | - | GU19032080 | 2 | |
| 11 | Thrust washer | - | - | - | - | GU19032380 | 4 | |
| 12 | Circlip | - | - | - | - | GU90271018 | 4 | |
| 13 | Lower cup | - | - | - | - | GU61037000 | 4 | |
| 14 | Spacer | - | - | - | - | GU19032980 | 4 | |
| 15 | Hose | - | - | - | - | GU19027500 | 2 | |
| 16 | Camshaft | - | - | - | - | GU19053320 | 1 | |
| 17 | Timing system gear | - | - | - | - | GU19054521 | 1 | |
| 18 | Bolt | - | - | - | - | GU61054900 | 2 | |
| 19 | Camshaft chain | - | - | - | - | GU19058021 | 1 | |
| 20 | Chain stretching drive | - | - | - | - | GU19058220 | 1 | |
| 21 | Screw | - | - | - | - | GU98822316 | 1 | |
| 22 | Washer | - | - | - | - | GU95129115 | 1 | |
| 23 | Sector | - | - | - | - | GU19055700 | 2 | |
| 24 | Snap ring | - | - | - | - | GU90353029 | 1 | |
| 25 | Tappet | - | - | - | - | GU19045861 | 4 | |
| 26 | Rocker arm rod | - | - | - | - | GU31045000 | 4 | |
| 27 | Roller | - | - | - | - | GU95512035 | 1 | |
| 28 | Safety washer | - | - | - | - | GU23217800 | 2 | |

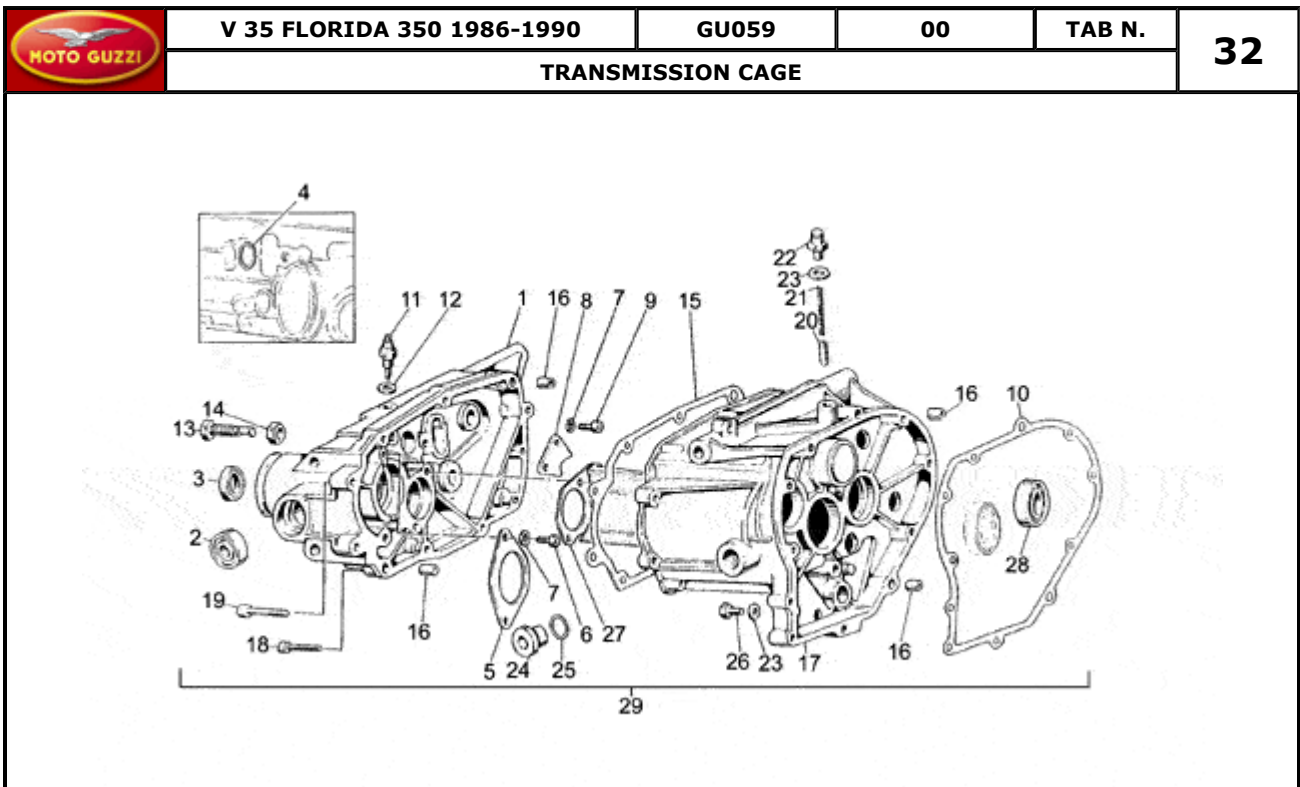
|  | | V 35 FLORIDA 350 1986-1990 | GU059 | 00 | TAB N. | 29 | | |
|--|-------------------------|----------------------------|-------|---------|---------|------------|------|--------|
| CLUTCH | | | | | | | | |
|  | | | | | | | | |
| Pos. | Description | Year | I_M_ | Country | Version | Code | Q.ty | P.Cod. |
| 1 | Clutch control | - | - | - | - | GU19080161 | 1 | |
| 2 | New cup type | - | - | - | - | GU19083462 | 1 | |
| 3 | Snap ring | - | - | - | - | GU90272075 | 1 | |
| 4 | Driven clutch disc | - | - | - | - | GU27084420 | 1 | |
| 5 | Chain ring MOTOPLAT | - | - | - | - | GU19067900 | 1 | |
| 6 | Washer 6,4x10x0,7 | - | - | - | - | GU14217901 | 6 | |
| 7 | Hex screw M6X16 | - | - | - | - | GU98054316 | 6 | |
| 8 | Rod | - | - | - | - | GU20085720 | 1 | |
| 9 | Inner body | - | - | - | - | GU14086000 | 1 | |
| 10 | Thrust bearing | - | - | - | - | GU12087001 | 1 | |
| 11 | Outer body | - | - | - | - | GU14086100 | 1 | |
| 12 | O-ring 17,13x2,62 | - | - | - | - | GU90706170 | 1 | |
| 13 | Clutch release shaft | - | - | - | - | GU14090201 | 1 | |
| 14 | Adjuster screw | - | - | - | - | GU14090400 | 1 | |
| 15 | Nut M8X1 | - | - | - | - | GU92602508 | 1 | |
| 16 | Lever return spring | - | - | - | - | GU94321105 | 1 | |
| 17 | Pin 7x39 | - | - | - | - | GU95780271 | 1 | |
| 18 | Split pin | - | - | - | - | GU95500222 | 1 | |
| 19 | Gasket ring 28x40x7 | - | - | - | - | GU90402841 | 1 | |
| 20 | Transmission shaft Z=13 | - | - | - | - | GU19210720 | 1 | |
| 21 | Gasket ring 6x16x7 | - | - | - | - | GU90400616 | 1 | |
| 22 | Spacer | - | - | - | - | GU19213720 | 1 | |
| 23 | Gasket ring 18,77X1,78 | - | - | - | - | GU90706188 | 1 | |
| 24 | Nut | - | - | - | - | GU19356700 | 1 | |
| 26 | Clutch drum | - | - | - | - | GU31200401 | 1 | |
| 27 | Plug | - | - | - | - | GU93180220 | 1 | |
| 28 | Bearing 20X47X14 | - | - | - | - | GU92201220 | 1 | |
| 29 | Bearing fixing plate | - | - | - | - | GU19203420 | 1 | |
| 30 | Screw | - | - | - | - | GU98054314 | 3 | |
| 31 | Washer 6,4x10x0,7 | - | - | - | - | GU14217901 | 3 | |
| 32 | Screw M6x30 | - | - | - | - | GU98610330 | 11 | |
| 33 | Screw | - | - | - | - | GU98610435 | 5 | |
| 34 | Screw | - | - | - | - | GU98610450 | 1 | |
| 35 | Spring washer 8x15x0,3 | - | - | - | - | GU61270300 | 6 | |
| 36 | Nut | - | - | - | - | GU92601208 | 1 | |



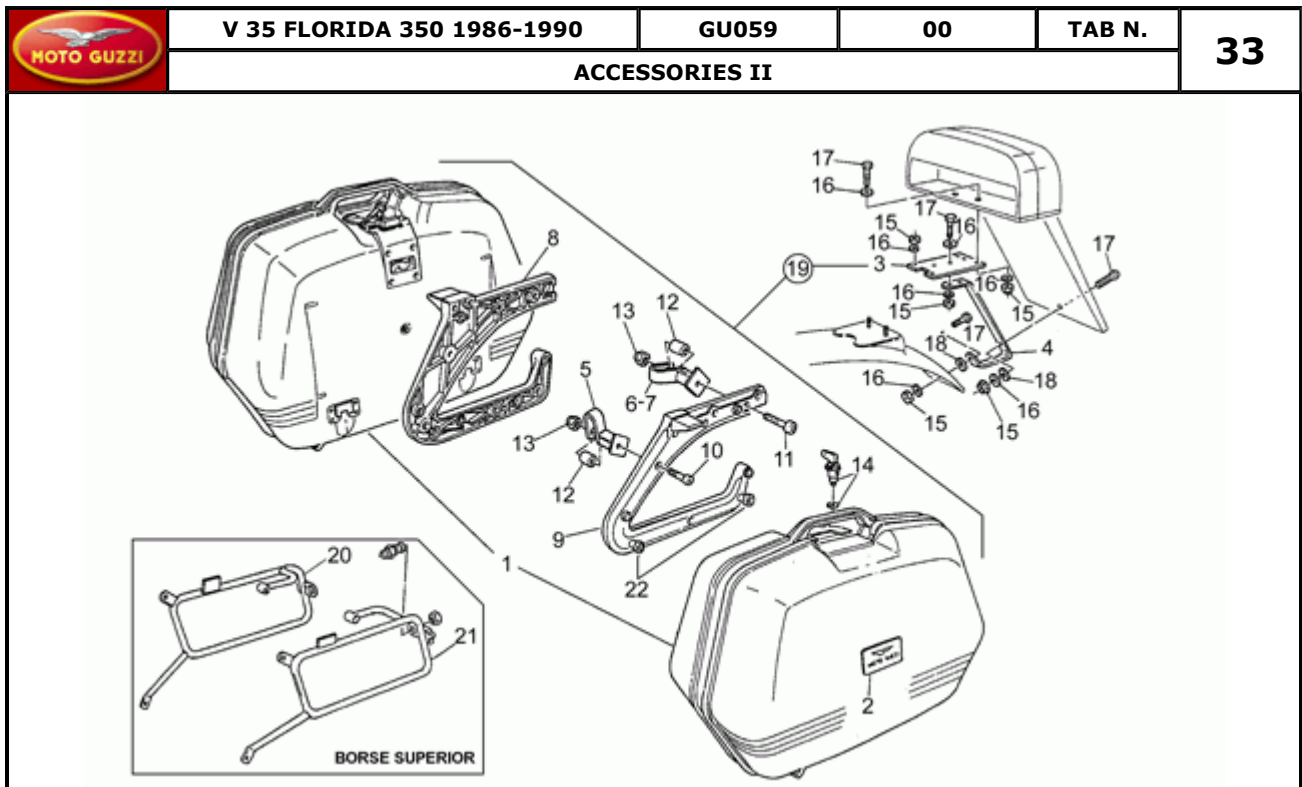
| Pos. | Description | Year | I_M_ | Country | Version | Code | Q.ty | P.Cod. |
|------|------------------------|------|------|---------|---------|------------|------|--------|
| 1 | RH exhaust pipe | - | - | - | - | GU23120712 | 1 | |
| 2 | LH exhaust pipe | - | - | - | - | GU23120713 | 1 | |
| 3 | Pipe | - | - | - | - | GU23121110 | 1 | |
| 4 | Hose clamp | - | - | - | - | GU23126910 | 2 | |
| 5 | Gasket | - | - | - | - | GU19025280 | 2 | |
| 6 | Spacer | - | - | - | - | GU61025400 | 4 | |
| 7 | Exhaust ring nut | - | - | - | - | GU19121050 | 2 | |
| 8 | Special washer | - | - | - | - | GU61013800 | 4 | |
| 9 | Nut | - | - | - | - | GU92701062 | 4 | |
| 10 | LH silencer | - | - | - | - | GU23122910 | 1 | |
| 11 | RH silencer | - | - | - | - | GU23123010 | 1 | |
| 12 | Hose clamp | - | - | - | - | GU14123400 | 2 | |
| 13 | RH plate | - | - | - | - | GU23128610 | 1 | |
| 14 | LH plate | - | - | - | - | GU23128710 | 1 | |
| 15 | Spring washer 8x15x0,3 | - | - | - | - | GU61270300 | 4 | |
| 16 | Nut M8X1,25 | - | - | - | - | GU92602208 | 4 | |
| 17 | Screw | - | - | - | - | GU98622420 | 2 | |
| 18 | Washer 8,4X13X0,8 | - | - | - | - | GU14615901 | 4 | |
| 19 | Nut | - | - | - | - | GU92660008 | 2 | |



| Pos. | Description | Year | I_M_ | Country | Version | Code | Q.ty | P.Cod. |
|------|-------------------------|------|------|---------|---------|------------|------|--------|
| 1 | Oil pump | - | - | - | - | GU19146422 | 1 | |
| 3 | Roller bearing 10x22x20 | - | - | - | - | GU92252210 | 1 | |
| 4 | Oil pump shaft assy. | - | - | - | - | GU19147820 | 1 | |
| 5 | Inner rotor | - | - | - | - | GU19148420 | 1 | |
| 7 | Guide roller | - | - | - | - | GU92296726 | 1 | |
| 8 | Oil pump gear | - | - | - | - | GU19147721 | 1 | |
| 9 | Washer 10,5x16x1 | - | - | - | - | GU19149800 | 1 | |
| 10 | Nut M10x1,25 | - | - | - | - | GU92602510 | 1 | |
| 11 | Screw M6X35 | - | - | - | - | GU98620335 | 3 | |
| 12 | Pin | - | - | - | - | GU19018920 | 2 | |
| 13 | Oil filter | - | - | - | - | GU19152200 | 1 | |
| 14 | Screw | - | - | - | - | GU98054314 | 1 | |
| 15 | Plate | - | - | - | - | GU95187006 | 1 | |
| 16 | Oil filter | - | - | - | - | GU19153000 | 1 | |
| 17 | Oil valve cpl. | - | - | - | - | GU10158201 | 1 | |
| 18 | Valve body | - | - | - | - | GU10158701 | 1 | |
| 19 | Piston | - | - | - | - | GU12150900 | 1 | |
| 20 | Valve spring | - | - | - | - | GU94321072 | 1 | |
| 21 | Bottom | - | - | - | - | GU12150700 | 1 | |
| 22 | Washer 14,5X20X1 | - | - | - | - | GU95100523 | 3 | |
| 23 | Plug | - | - | - | - | GU12159000 | 1 | |
| 24 | Pressure sensor | - | - | - | 02201N | GU31999581 | 1 | |
| 29 | Breather pipe | - | - | - | - | GU19159600 | 1 | |
| 30 | Hose clamp | - | - | - | - | GU61108400 | 3 | |
| 31 | Hose clamp | - | - | - | - | GU93305018 | 1 | |
| 32 | Breather | - | - | - | - | GU19159300 | 1 | |
| 33 | Gasket 8,25x15x1 | - | - | - | - | GU12154200 | 1 | |
| 34 | Ball | - | - | - | - | GU92295911 | 1 | |



| Pos. | Description | Year | I_M | Country | Version | Code | Q.ty | P.Cod. |
|------|-----------------------|------|-----|---------|---------|------------|------|--------|
| 1 | Box cover | - | - | - | - | GU31200801 | 1 | |
| 2 | Bearing 15x35x11 | - | - | - | - | GU92204215 | 2 | |
| 3 | Gasket ring 28x40x7 | - | - | - | - | GU90402841 | 1 | |
| 4 | O-ring 13,95x2,92 | - | - | - | - | GU90706140 | 1 | |
| 5 | Plate | - | - | - | - | GU19213820 | 1 | |
| 6 | Screw | - | - | - | - | GU98622314 | 4 | |
| 7 | Washer 6,4x10x0,7 | - | - | - | - | GU14217901 | 6 | |
| 8 | Plate | - | - | - | - | GU19235800 | 1 | |
| 9 | Screw | - | - | - | - | GU98622314 | 2 | |
| 10 | Gasket | - | - | - | - | GU19200320 | 1 | |
| 11 | Sensor | - | - | - | - | GU19207220 | 1 | |
| 12 | Gasket 8,25x15x1 | - | - | - | - | GU12154200 | 1 | |
| 13 | Screw M12x1,25 | - | - | - | - | GU19237800 | 1 | |
| 14 | Low nut M12x1,25 | - | - | - | - | GU92602512 | 1 | |
| 15 | Gasket | - | - | - | - | GU19201120 | 1 | |
| 16 | Bush 6,6x9x13 | - | - | - | - | GU19002020 | 4 | |
| 17 | Transmission cage | - | - | - | - | GU31200201 | 1 | |
| 18 | Screw M6x30 | - | - | - | - | GU98610330 | 7 | |
| 19 | Screw | - | - | - | - | GU98610435 | 4 | |
| 20 | Pawl | - | - | - | - | GU55234700 | 1 | |
| 21 | Lever return spring | - | - | - | - | GU94321067 | 1 | |
| 22 | Breather plug | - | - | - | - | GU31206500 | 1 | |
| 23 | Gasket | - | - | - | - | GU10528900 | 2 | |
| 24 | Oil filler plug | - | - | - | - | GU31351200 | 1 | |
| 25 | O-ring 20,24x2,62 | - | - | - | - | GU90706203 | 1 | |
| 26 | Oil level plug | - | - | - | - | GU95980214 | 1 | |
| 27 | Oil bulhead | - | - | - | - | GU19208220 | 1 | |
| 28 | Ball bearing 20x42x12 | - | - | - | - | GU92201120 | 1 | |
| 29 | Gear box assy | - | - | - | - | GU31991500 | 1 | |



| Pos. | Description | Year | I_M | Country | Version | Code | Q.ty | P.Cod. |
|------|-------------------------|------|-----|---------|---------|------------|------|--------|
| 1 | Hard saddlebag | - | - | - | - | GU23482572 | 2 | |
| 2 | Name plate "Moto Guzzi" | - | - | - | - | GU29482060 | 2 | |
| 3 | Plate | - | - | - | - | GU23475772 | 1 | |
| 4 | U-bolt | - | - | - | - | GU23475572 | 1 | |
| 5 | Front bracket | - | - | - | - | GU23481372 | 2 | |
| 6 | RH rear bracket | - | - | - | - | GU23481272 | 1 | |
| 7 | LH rear bracket | - | - | - | - | GU23481472 | 1 | |
| 8 | RH support | - | - | - | - | GU30485010 | 1 | |
| 9 | LH support | - | - | - | - | GU30486510 | 1 | |
| 10 | Screw | - | - | - | - | GU98610450 | 2 | |
| 11 | Screw | - | - | - | - | GU98610470 | 2 | |
| 12 | Spacer | - | - | - | - | GU91180917 | 4 | |
| 13 | Nut | - | - | - | - | GU92630108 | 4 | |
| 14 | Lock | - | - | - | - | GU30489910 | 2 | |
| 15 | Nut M6x1 | - | - | - | - | GU92630106 | 7 | |
| 16 | Washer | - | - | - | - | GU95000206 | 10 | |
| 17 | Screw | - | - | - | - | GU98054318 | 5 | |
| 18 | Rubber spacer | - | - | - | - | GU93110060 | 2 | |
| 19 | Cases kit GIVI | - | - | - | - | GU23999272 | 1 | |
| 20 | RH support | - | - | - | - | GU23485072 | 1 | |
| 21 | LH support | - | - | - | - | GU23486572 | 1 | |
| 22 | T bush | - | - | - | 29095C | GU29530580 | 1 | |